

Safety Fittings 8405-NF

Product Type

Safety eye/face wash and drench shower fitting - barrier-free

Features & Specifications


- Eyewash bowl, assembly, and shower head in ABS plastic
- Brass fittings with galvanized pipe construction, push handle for eyewash activation, pull handle for shower activation
- Two high-flow aerated eyewash sprays at low pressure with automatic opening anti-dust cover
- High-visibility photoluminescent safety sign with green background and white text for easy identification

Performance Specification

Warranty

- 1-Year Limited Finish Warranty
- 1-Year Limited Material Warranty

Codes & Standards

-  ADA ANSI/ICC A117.1
- ANSI/ISEA Z358.1 Standard for Emergency Eyewash and Shower Equipment

Job Name _____

Item Number _____

Section/Tag _____

Model Specified _____

Architect _____

Engineer _____

Contractor _____

Submitted as Shown

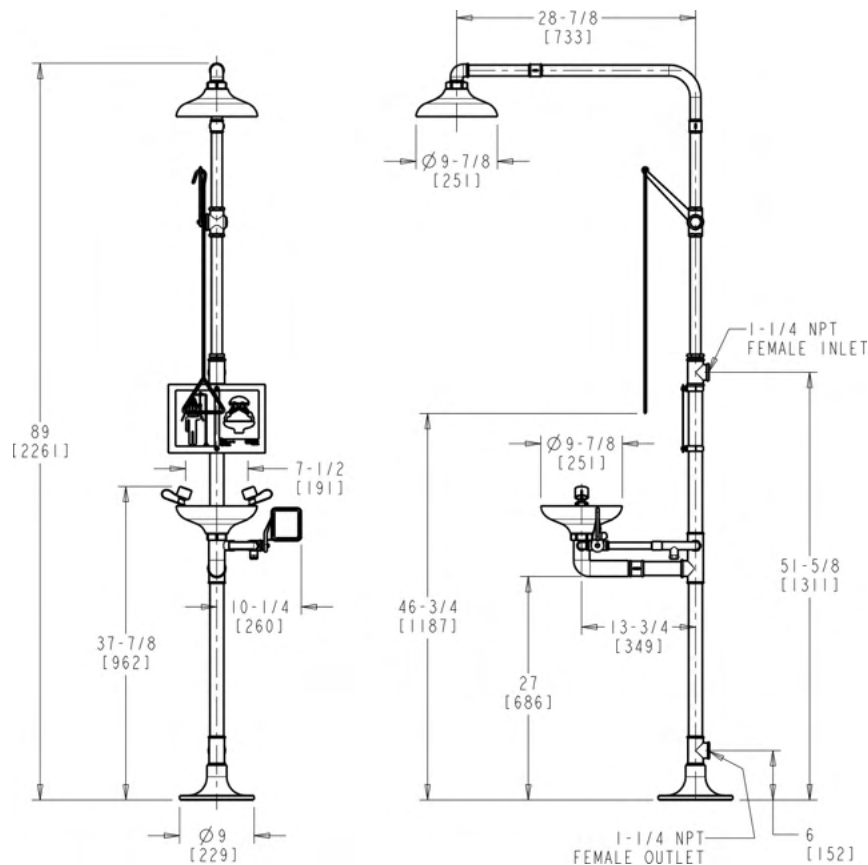
Submitted with Variations

Date _____



Architect/Engineer Specification

Chicago Faucets No. 8405-NF, Barrier-Free Eye/Face Wash and Safety Drench Shower. 1-1/4" NPT female thread inlet, 1-1/4" NPT female thread outlet. Anti-corrosive polyamide 11 plastic coating in high-visibility yellow color. Floor-mounted Eyewash assembly in ABS plastic, Eyewash bowl in ABS plastic, two high-flow aerated water sprays at low pressure with automatic opening anti-dust cover, brass fittings with galvanized pipe construction, push handle for activation. Shower head in ABS plastic, pull rod for activation. High-visibility photoluminescent safety sign with green background and white text for easy identification. Maintenance card for recording periodic testing. Certified to the ANSI Z358.1 Standard for Emergency Eyewash and Shower Equipment.



Operation and Maintenance

Installation should be in accordance with local plumbing codes. Flush all pipes thoroughly before installation. After installation, remove spout outlet or flow control and flush faucet thoroughly to clear any debris. Care should be taken when cleaning the product. Do not use abrasive cleaners, chemicals or solvents as they can result in surface damage. Use mild soap and warm water for cleaning and protecting the life of Chicago Faucet products. For specific operation and maintenance refer to the installation instructions and repair parts documents that are located at www.chicagofaucets.com.

Chicago Faucets, member of the Geberit Group, is the leading brand of commercial faucets and fittings in the United States, offering a complete range of products for schools, laboratories, hospitals, office buildings, food service, airports and sport facilities. Call 1.800.TECTRUE or 1.847.803.5000 Option 1 for installation or other technical assistance.

