



a Geberit company

2100 South Clearwater Drive  
Des Plaines, IL 60018  
Phone: 847-803-5000  
Fax: 847-803-5454  
www.chicagofaucets.com

# REPAIR PARTS

BY: SID    DATE: 07-12-13  
CHK: *[Signature]*    REV:

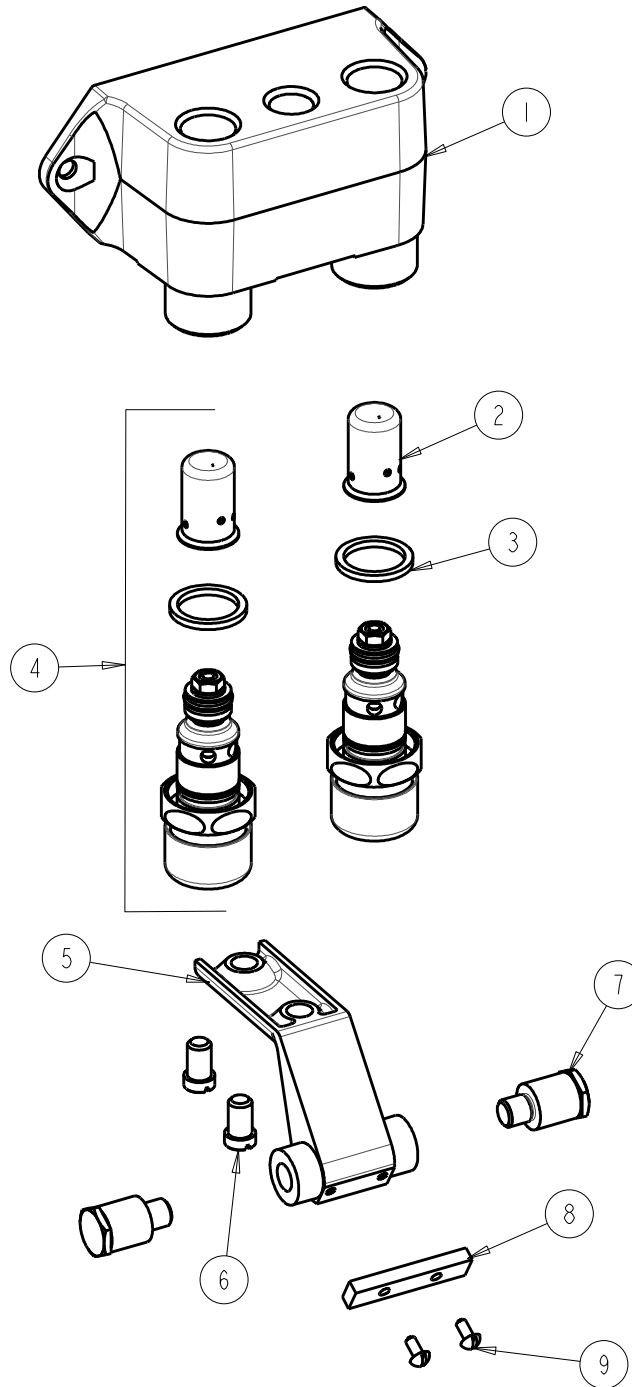
FITTING NO.

**834-EPVOAB**

SUBMITTED MODEL NO.

ITEM NO.

**FOR TECHNICAL ASSISTANCE**  
1-800-TEC-TRUE (1-800-832-8783)



ITEM	PART NO.	DESCRIPTION	ITEM	PART NO.	DESCRIPTION
1	-----	VALVE BODY NOT SOLD SEPARATELY	6	625-006JKNF	SCREW, PAN HEAD 5/16-18 UNC
2	333-075JKNF	DASHPOT	7	625-061JKRCF	BOLT, SHOULDER 3/8-24 UNF X 5/8 HEX
3	1-043JKABNF	GASKET, CAP 1 X .80 X .09	8	834-012JKNF	PEDAL STOP
4	625-XJKABNF	FOR PARTS SEE 625-XJKABNF	9	76-008JKNF	SCREW, ROUND HEAD 6-32
5	834-013JKCP	PEDAL BRACKET			