

Series 909, LF909

Reduced Pressure Zone Assemblies

Sizes 3/4" – 2"

Repair Kits

When ordering specify Ordering Code, Kit No., and Valve Size.

ORDERING CODE	KIT NO.	SIZE
---------------	---------	------

Total Repair Kits

0794066	LFRK 909-T	3/4" – 1"
0794071	LFRK 909-T	1 1/4" – 2"

Kit consists of: relief valve repair kit, first check repair kit, second check repair kit

Relief Valve Kits

Relief Valve Kits

0794059	LFRK 909 VT	3/4" – 1"
0794060	LFRK 909M1 VT	1 1/4" – 2"

Kit consists of: relief valve assembly, seat, seat O-ring, 2 piston O-rings and lubricant.

Rubber Parts for Relief Valve

0794061	LFRK 909 RV	3/4" – 1"
0794062	LFRK 909M1 RV	1 1/4" – 2"

Kit consists of: diaphragm, disc assembly, seat O-ring, RV O-ring, 2 piston O-ring, and lubricant.

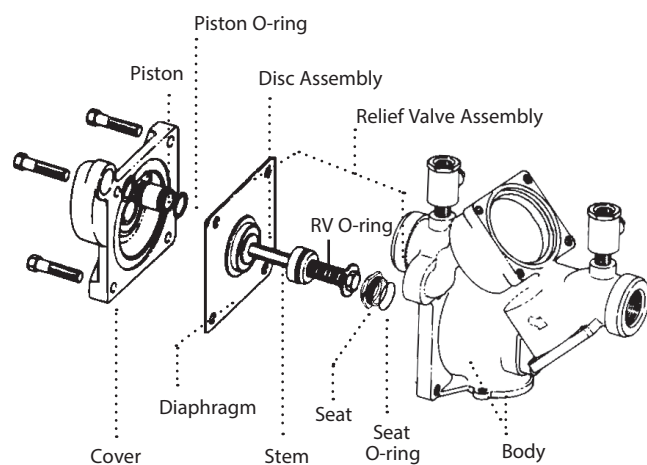
Seat Kits for Relief Valve

0887372	RK 909 SV	3/4" – 1"
0887371	RK 909M1 SV	1 1/4" – 2"

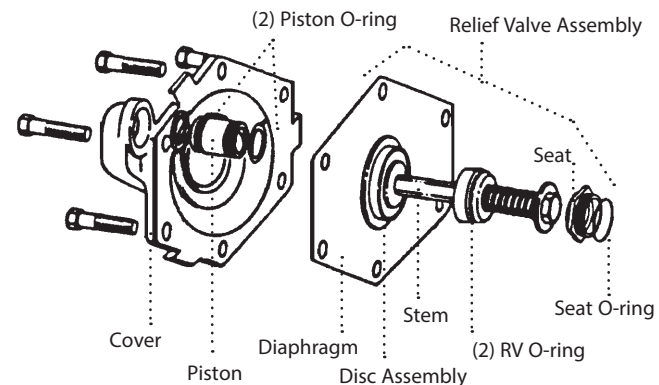
Kit consists of: seat, seat O-ring, 2 piston O-ring and lubricant.

1 1/4" – 2" 909/909M1 are common kits.

3/4" – 1"



1 1/4" – 2"



2

Reduced Pressure Zone Assemblies

NOTICE

TO PREVENT SHAFT DAMAGE ASSEMBLE AS SHOWN: Do not force the cover into place as damage may result from misalignment. If cover will not press against body, assembly is crooked and tightening bolts will bend shaft.

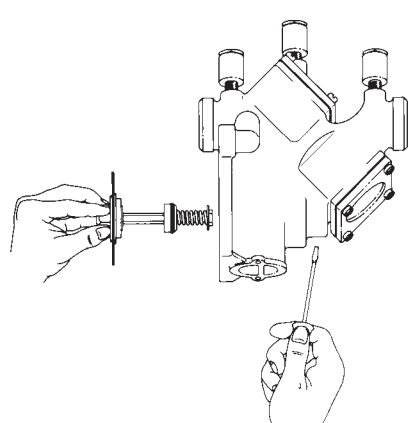


Figure 1: To assemble the relief valve assembly have a screwdriver ready.

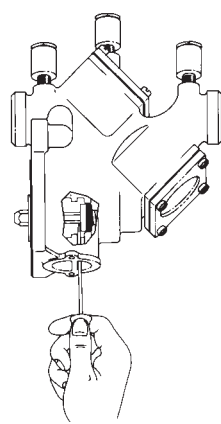


Figure 2: Depress the relief valve assembly, carefully guiding it against the two pound spring load. When properly aligned, the piston is in the cylinder bore. Insert the screwdriver as shown.

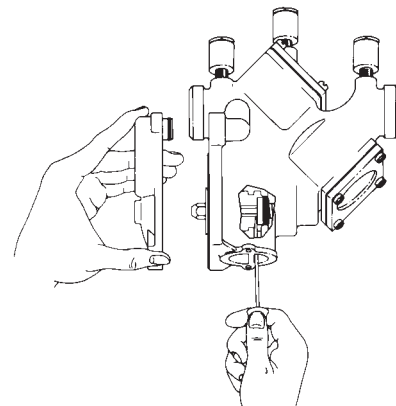


Figure 3: The relief valve assembly is held encapsulated by the screwdriver. You should now have both hands free to bolt down the cover. Insert and snug two bolts 180° apart to hold the cover. Finish inserting the remaining bolts and snug up evenly alternating until secure. Remove the screwdriver.

*The wetted surface of this product contacted by consumable water contains less than 0.25% of lead by weight.

23

Series 909, LF909

Reduced Pressure Zone Assemblies

Sizes 3/4" – 2"

Check valve kits

When ordering specify Ordering Code, Kit No., and Valve Size.

Note: 1 1/4" – 2" 909/909M1 are common kits.

ORDERING CODE	KIT NO.	SIZE
---------------	---------	------

First Check Kits

0887120	RK 909 CK1	3/4" – 1"
0794063	LFRK 909M1 CK1	1 1/4" – 2"
0887122	RK 909 CK1SS**	3/4" – 1"
0887135	RK 909M1 CK1SS**	1 1/4" – 2"

Second Check Kits

0887121	RK 909 CK2	3/4" – 1"
0794064	LFRK 909M1 CK2	1 1/4" – 2"
0887123	RK 909 CK2SS**	3/4" – 1"
0887136	RK 909M1 CK2SS**	1 1/4" – 2"

Kit consists of: disc assembly, spring, seat, seat O-ring, cover O-ring and lubricant.

Rubber Parts for Both Checks

0887129	RK 909 RC3	3/4" – 1"
0887310	RK 909 RC3 HW	3/4" – 1"
0794065	LFRK 909M1 RC3	1 1/4" – 2"
0794068	LFRK 909M1 RC3 HW	1 1/4" – 2"

Kit consists of: disc assembly, seat O-ring, cover O-ring and lubricant.

NOTE: HW model has bronze disc assembly.

Complete Rubber Parts

0794069	LFRK 909 RT	3/4" – 1"
0794070	LFRK 909M1 RT	1 1/4" – 2"

Kit consists of: disc assembly, seat O-rings, RV diaphragm, RV O-rings, piston O-rings, cover O-rings and lubricant.

Seat Kits for One Check

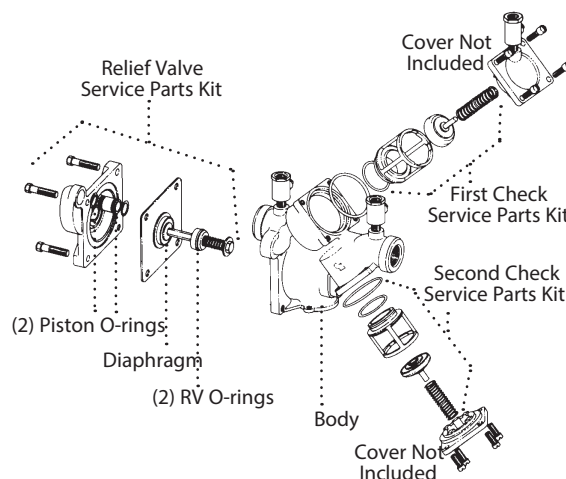
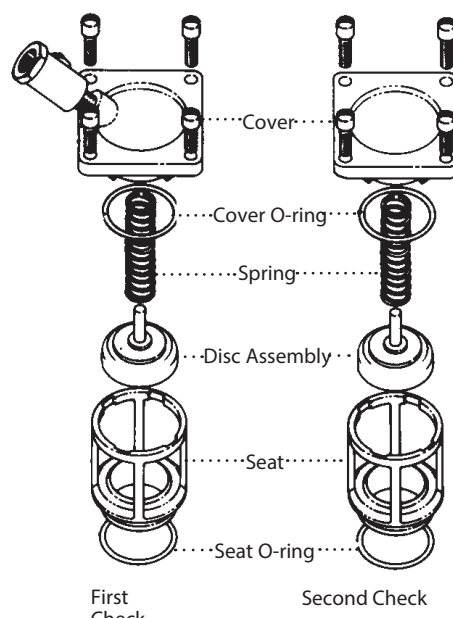
0887124	RK 909 S	3/4" – 1"
0887139	RK 909M1 S	1 1/4" – 2"
0887125	RK 909 S-SS**	3/4" – 1"
0887140	RK 909M1 S-SS**	1 1/4" – 2"

Kit consists of: seat, seat O-ring and lubricant.

Cover Kits

0794072	LFRK 909 C1	3/4" – 1"
0794073	LFRK 909 C2	3/4" – 1"
0794075	LFRK 909 VC	3/4" – 1"
0794074	LFRK 909M1 C4	1 1/4" – 2"
0794076	LFRK 909M1 VC	1 1/4" – 2"

Kit consists of: cover, cover O-ring and lubricant.



No special tools required to assemble Series 909.

Rubber seat disc can be replaced. However, discharge disc retainers are permanently bonded to prevent failure.

ORDERING CODE	KIT NO.	SIZE
---------------	---------	------

Polymer Coated Valves

0794079	LFRK 909-PC-CK1	3/4" – 1"
0794080	LFRK 909-PC-CK2	3/4" – 1"
0794077	LFRK 909-PC-CK1	1 1/4" – 2"
0794078	LFRK 909-PC-CK2	1 1/4" – 2"

Kit consists of: disc assembly, seat, seat O-ring, sleeve, check spring, PC cover and cover O-ring.

*The wetted surface of this product contacted by consumable water contains less than 0.25% of lead by weight.

**Stainless steel seat