

Series 909, LF909

Reduced Pressure Zone Assemblies

Sizes 2 1/2" – 10"

Check valve kits

When ordering specify Ordering Code, Kit No., and Valve Size.

ORDERING CODE	KIT NO.	SIZE
---------------	---------	------

First Check Kits

0794096	LFRK 909 CK1	2 1/2" – 3"
0794097	LFRK 909 CK1	4"
0794098	LFRK 909 CK1	6"
0794099	LFRK 909 CK1	8"
0794100	LFRK 909 CK1	10"

Second Check Kits

0794101	LFRK 909 CK2	2 1/2" – 3"
0794102	LFRK 909 CK2	4"
0794103	LFRK 909 CK2	6"
0794104	LFRK 909 CK2	8"
0794105	LFRK 909 CK2	10"

Kit consists of: disc & spring assembly, cover O-ring and lubricant.

Seat Kits

0794106	LFRK 909 S	2 1/2" – 3"
0794107	LFRK 909 S	4"
0794108	LFRK 909 S	6"
0794109	LFRK 909 S	8"
0794110	LFRK 909 S	10"

Kit consists of: seat, seat O-ring, cover O-ring, retainer wires and lubricant.

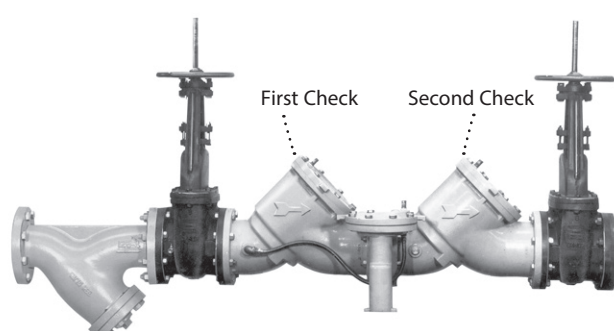
First Check Rubber Parts Kits

0887220	RK 909 RC1	2 1/2" – 3"
0887221	RK 909 RC1	4"
0887223	RK 909 RC1	6"
0887224	RK 909 RC1	8"
0887225	RK 909 RC1	10"

Second Check Rubber Parts Kits

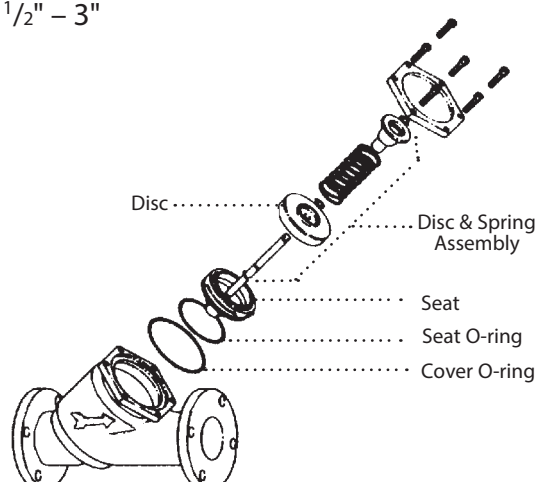
0887226	RK 909 RC2	2 1/2" – 3"
0887227	RK 909 RC2	4"
0887228	RK 909 RC2	6"
0887229	RK 909 RC2	8"
0887230	RK 909 RC2	10"

Kit consists of: upper and lower check stem O-ring (6" only), check disc, cover O-ring and lubricant.

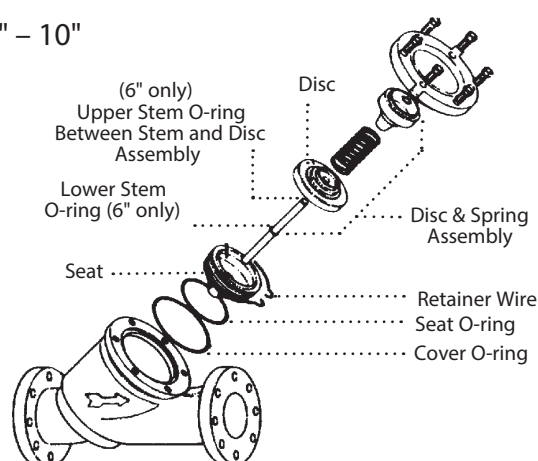


First and second checks are not interchangeable.

2 1/2" – 3"



4" – 10"



WARNING

Spring assembly is factory assembled. DO NOT DISASSEMBLE.

ORDERING CODE	KIT NO.	SIZE	LIST PRICE
---------------	---------	------	------------

Cover Kits for Checks

0887740	RK 909 C	2 1/2" – 3"	\$257.50
0887741	RK 909 C	4"	288.50
0887742	RK 909 C	6"	402.00
0887743	RK 909 C	8"	657.00
0887744	RK 909 C	10"	1,469.00

Kit consists of: cover, cover O-ring and lubricant.

*The wetted surface of this product contacted by consumable water contains less than 0.25% of lead by weight.

26

Series 909, LF909

Reduced Pressure Zone Assemblies

Sizes 2 1/2" – 10"

Relief Valve Kits

When ordering specify Ordering Code, Kit No., and Valve Size.

**M1 = Cast iron relief valve.

ORDERING CODE	KIT NO.	SIZE
---------------	---------	------

Relief Valve Rubber Parts

0794081	LFRK 909 RV	2 1/2" – 3"
0794083	LFRK 909 RV	8" – 10"
0794150	LFRK 909(M1)-RV	4"–6" 909, 8"–10" 909M1

Kit consists of: sleeve O-ring, piston O-ring, stem O-ring, RV disc assembly, diaphragm, piston seal, bottom plug O-ring, adapter O-ring and lubricant.

Relief Valve Total

0887237	RK 909 VT	8" – 10"
0887267	RK 909 VT	Bronze Body 4" – 6"
0794085	LFRK 909 VT	2 1/2" – 3"
0794151	LFRK 909(M1)-VT	4"–6" 909, 8"–10" 909M1

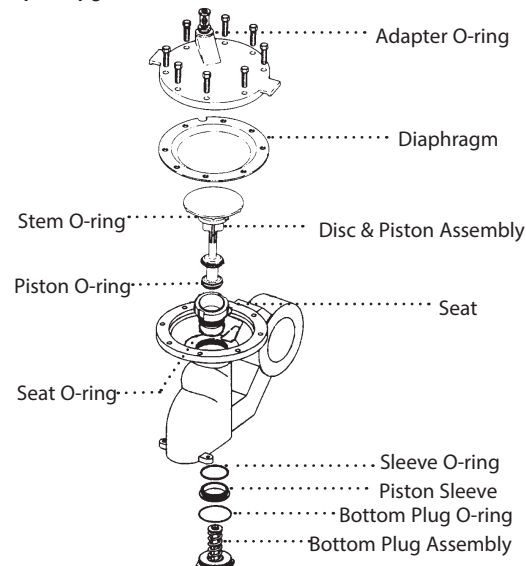
Kit consists of: diaphragm, disc & piston assembly, seat, seat O-ring, adapter O-ring and lubricant. (Sizes 4"–10"M1 includes bottom plug & spring assembly).

Total Rubber Parts Kits

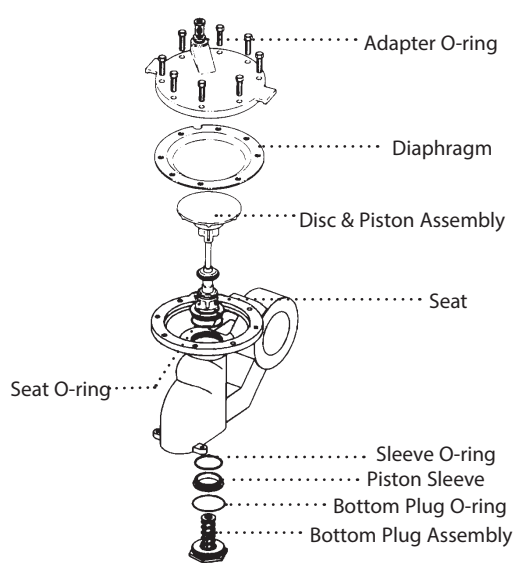
0794089	LFRK 909 RT	2 1/2" – 3"
0794090	LFRK 909 RT	4"
0794091	LFRK 909 RT	6"
0794092	LFRK 909 RT	8"
0794093	LFRK 909M1 RT	8"
0794094	LFRK 909 RT	10"
0794095	LFRK 909M1 RT	10"

Kit consists of: upper and lower check stem O-ring (6" only), check disc, cover O-ring, sleeve O-ring, piston O-ring, RV disc assembly, diaphragm, piston seal and lubricant.

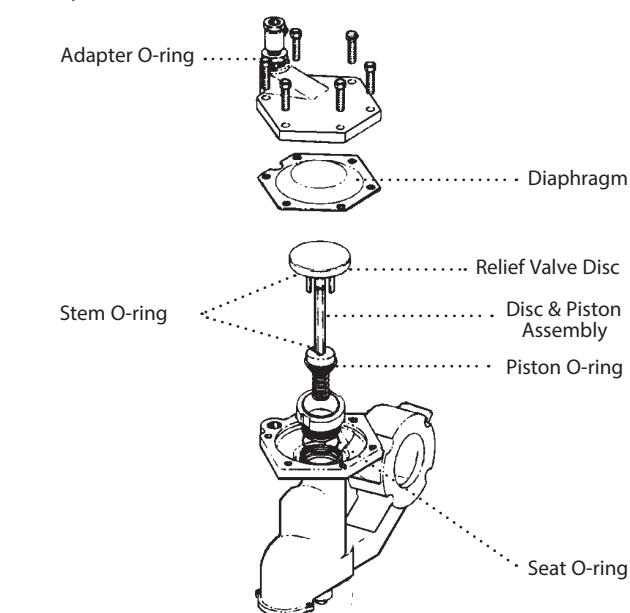
4" – 10"



8"M1, 10"M1



2 1/2", 3"



*The wetted surface of this product contacted by consumable water contains less than 0.25% of lead by weight.

25