

MODEL 720A

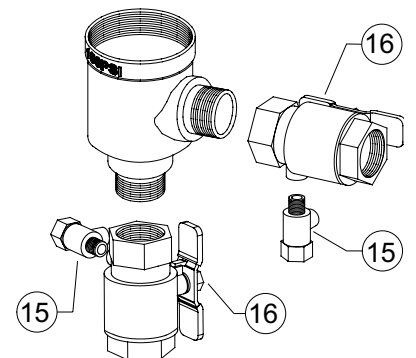
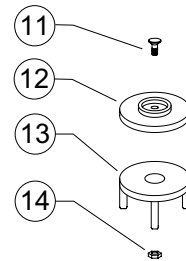
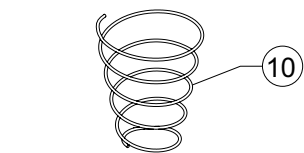
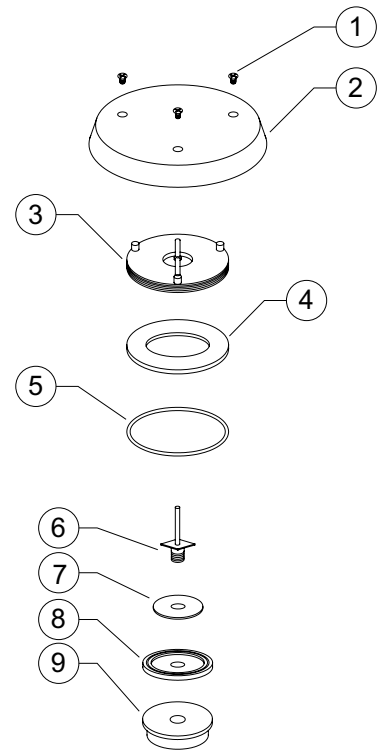
Pressure Vacuum Breakers – 1/2" to 1"



Repair Kit Components		1/2" - 1"		
Item #	Item Description	RK1-720A	RK1-720AB	RK1-720AP
1	Screw, Canopy		● (x3)	
2	Canopy		●	
3	Bonnet		●	
4	Washer, Bonnet	●	●	
5	O-Ring, Bonnet	●	●	●
6	Load Nut and Guide	●		●
7	Load Washer	●		●
8	Disc, Upper	●		●
9	Poppet	●		●
10	Spring	●		
11	Screw, Spider	●		
12	Disc, Lower	●		
13	Guide Spider	●		
14	Nut, Hex	●		

Whole Goods (Available for individual sale)				
Item #	Item Description	1/2"	3/4"	1"
15	Test Cock		RK18-860XL	
16	Ball Valve, Tapped	12-850T	34-850T	1-850T

Item No.	Repair Kit Description
	1/2" - 1"
RK1-720A	Complete Repair Kit, 1/2 - 1" 720A
RK1-720AB	Bonnet Repair Kit, 1/2 - 1" 720A
RK1-720AP	Poppet Repair Kit, 1/2 - 1" 720A

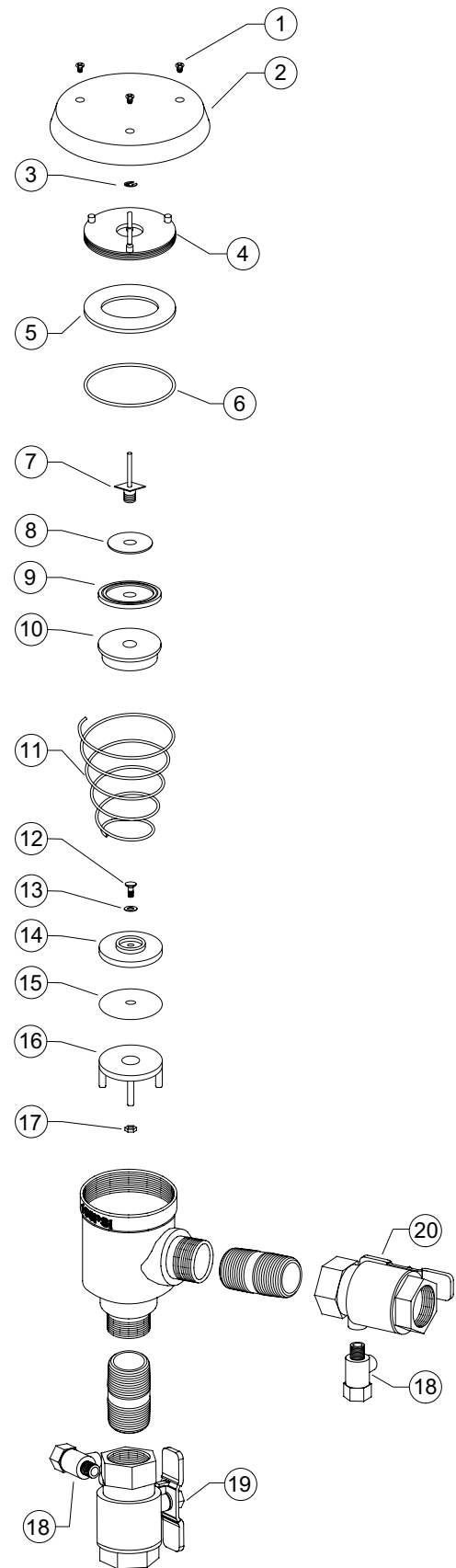


MODEL 720A

Pressure Vacuum Breakers - 1 1/4" to 2"



Repair Kit Components		1 1/4" - 2"	
Item #	Item Description	RK2-720A	RK114-720A-BONNET
1	Screw, Canopy		•
2	Canopy		•
3	Retainer Ring		•
4	Bonnet		•
5	Washer, Bonnet	•	
6	O-Ring, Bonnet	•	
7	Load Nut and Guide	•	
8	Load Washer	•	
9	Disc, Upper	•	
10	Poppet	•	
11	Spring	•	
12	Screw, Spider	•	
13	Washer, Lower Disc	•	
14	Disc, Lower	•	
15	Washer, Spider	•	
16	Guide Spider	•	
17	Nut, Hex	•	



Whole Goods (Available for individual sale)

Item #	Item Description	1 1/4"	1 1/2"	2"
18	Test Cock		RK14-860XL	
19	Ball Valve, Tapped	114-850T	112-850T	2-850T

Item No.	Repair Kit Description
1 1/4" - 2"	
RK2-720A	Complete Repair Kit, 1 1/4 - 2" 720A
RK114-720A-BONNET	Bonnet Repair Kit, 1 1/4 - 2" 720A