



# Model 975XL2TCU

## Reduced Pressure Principle Assembly with Test Cocks Up

### Application

Ideal for use where Lead-Free\* valves are required. Designed for installation on potable water lines to protect against both backsiphonage and backpressure of contaminated water into the potable water supply. Assembly shall provide protection where a potential health hazard exists. Test cocks facing upward allows installation close to wall.



LEAD FREE



NSF/ANSI/CAN 61



### Standards Compliance

- ASSE® Listed 1013
- IAPMO® Listed
- CSA® Certified
- AWWA compliant C511
- Approved by the Foundation for Cross Connection Control and Hydraulic Research at the University of Southern California
- Meets the requirements of NSF/ANSI/CAN 61\*  
\*(0.25% MAX. WEIGHTED AVERAGE LEAD CONTENT)

### Options

(Suffixes can be combined)

- with full port QT ball valves (standard)
- L - less ball valves
- U - with union ball valves
- MS - with integral relief valve monitor switch
- S - with bronze "Y" type strainer
- BMS - with battery operated monitor switch
- FT - with integral male 45° flare SAE test fitting

### Materials

|                    |  |
|--------------------|--|
| Main valve body    | Low Lead Cast Bronze ASTM B 584                        |
| Access covers      | Low Lead Cast Bronze ASTM B 584                        |
| Fasteners          | Stainless Steel, 300 Series                            |
| Elastomers         | Silicone (FDA Approved)<br>Buna Nitrile (FDA Approved) |
| Polymers           | Noryl™   |
| Springs            | Stainless Steel, 300 series                            |
| Ball valve handles | Stainless Steel  |

### Accessories

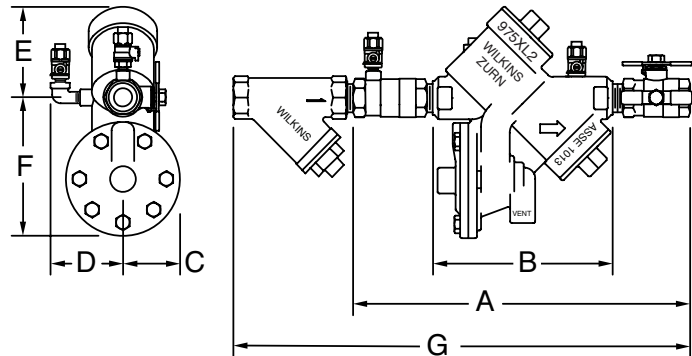
- Air gap
- Repair kits (rubber only)
- Thermal expansion tank (Mdl. XT)
- Soft seated check valve (Model 40XL2)
- Shock arrester (Model 1250XL)
- QT-SET Quick Test Fitting Set

### Features

|                                   |                              |
|-----------------------------------|------------------------------|
| Sizes:                            | 3/4", 1", 1-1/4", 1-1/2", 2" |
| Maximum working water pressure    | 175 PSI                      |
| Maximum working water temperature | 180°F                        |
| Hydrostatic test pressure         | 350 PSI                      |
| End connections                   | Threaded                     |
|                                   | ANSI B1.20.1                 |

### Relief Valve discharge port:

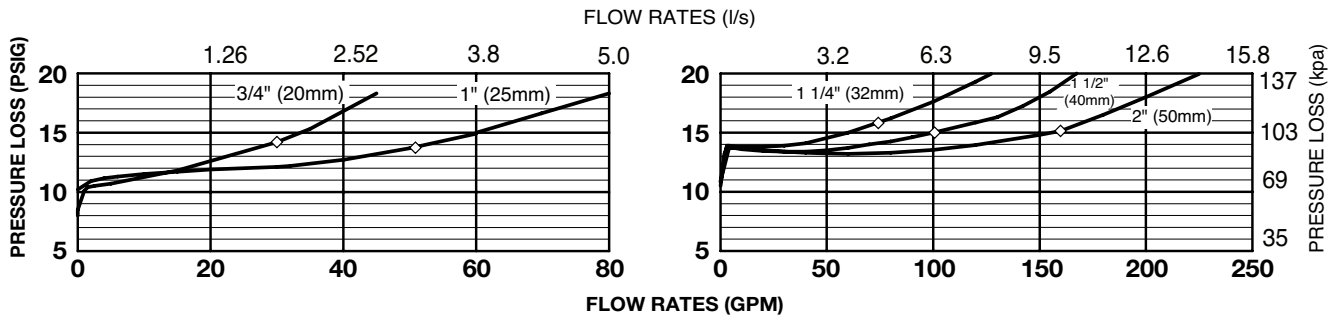
|             |   |              |
|-------------|---|--------------|
| 3/4" - 1"   | - | 0.63 sq. in. |
| 1 1/4" - 2" | - | 1.19 sq. in. |



### Dimensions & Weights (do not include pkg.)

| MODEL SIZE | DIMENSIONS (approximate) |        |                     |        |                    |          |     |       |     |       |     |       |     |       |     |        | WEIGHT           |    |                  |    |      |
|------------|--------------------------|--------|---------------------|--------|--------------------|----------|-----|-------|-----|-------|-----|-------|-----|-------|-----|--------|------------------|----|------------------|----|------|
|            | A                        |        | A UNION BALL VALVES |        | B LESS BALL VALVES |          | C   |       | D   |       | E   |       | F   |       | G   |        | LESS BALL VALVES |    | WITH BALL VALVES |    |      |
|            | in.                      | mm     | in.                 | mm     | in.                | mm       | in. | mm    | in. | mm    | in. | mm    | in. | mm    | in. | mm     | lbs              | kg | lbs.             | kg |      |
| 3/4        | 20                       | 12     | 305                 | 14     | 356                | 7 3/4    | 197 | 2 1/8 | 54  | 3     | 76  | 3 1/2 | 89  | 5     | 127 | 15 3/4 | 400              | 10 | 4.5              | 12 | 5.5  |
| 1          | 25                       | 13     | 330                 | 14 1/4 | 362                | 7 3/4    | 197 | 2 1/8 | 54  | 3     | 76  | 3 1/2 | 89  | 5     | 127 | 17 3/4 | 451              | 10 | 4.5              | 14 | 6.4  |
| 1 1/4      | 32                       | 17     | 432                 | 19     | 483                | 10 15/16 | 278 | 2 3/4 | 70  | 3 1/2 | 89  | 5     | 127 | 6 3/4 | 171 | 22     | 559              | 22 | 10               | 28 | 12.7 |
| 1 1/2      | 40                       | 17 3/8 | 441                 | 20     | 508                | 10 15/16 | 278 | 2 3/4 | 70  | 3 1/2 | 89  | 5     | 127 | 6 3/4 | 171 | 23 1/8 | 587              | 22 | 10               | 28 | 12.7 |
| 2          | 50                       | 18 1/2 | 470                 | 21 1/4 | 540                | 10 15/16 | 278 | 2 3/4 | 70  | 3 1/2 | 89  | 5     | 127 | 6 3/4 | 171 | 25 1/2 | 648              | 22 | 10               | 34 | 15.4 |

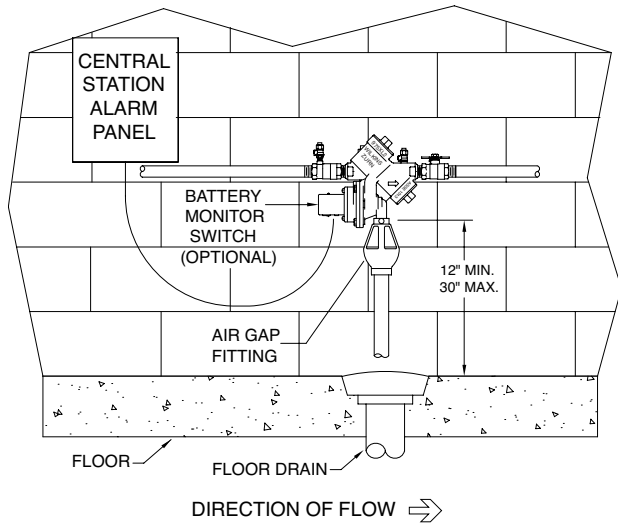
**MODEL 975XL2TCU 3/4", 1", 1 1/4", 1 1/2" & 2" (STANDARD & METRIC)**



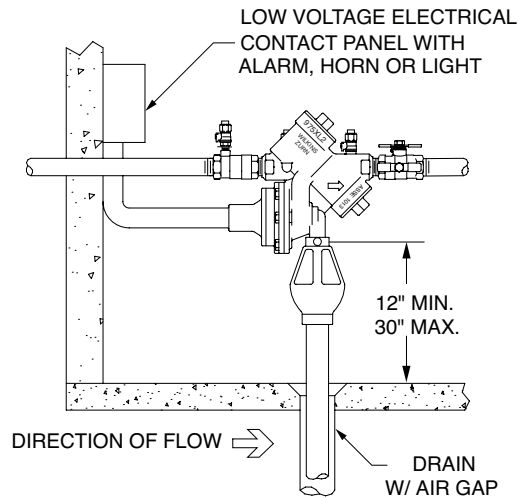
**Typical Installation**

Local codes shall govern installation requirements. To be installed in accordance with the manufacturer’s instructions and the latest edition of the Uniform Plumbing Code. Unless otherwise specified, the assembly shall be mounted at a minimum of 12” (305mm) and a maximum of 30” (762mm) above adequate drains with sufficient side clearance for testing and maintenance. The installation shall be made so that no part of the unit can be submerged.

| Capacity thru Schedule 40 Pipe |          |            |           |           |
|--------------------------------|----------|------------|-----------|-----------|
| Pipe size                      | 5 ft/sec | 7.5 ft/sec | 10 ft/sec | 15 ft/sec |
| 1/8"                           | 1        | 1          | 2         | 3         |
| 1/4"                           | 2        | 2          | 3         | 5         |
| 3/8"                           | 3        | 4          | 6         | 9         |
| 1/2"                           | 5        | 7          | 9         | 14        |
| 3/4"                           | 8        | 12         | 17        | 25        |
| 1"                             | 13       | 20         | 27        | 40        |
| 1 1/4"                         | 23       | 35         | 47        | 70        |
| 1 1/2"                         | 32       | 48         | 63        | 95        |
| 2"                             | 52       | 78         | 105       | 167       |



**INDOOR INSTALLATION**  
(Shown with optional BMS)



**INDOOR INSTALLATION**  
(Shown with optional MS)

**Specifications**

The Reduced Pressure Principle Backflow Preventer shall be certified to NSF/ANSI/CAN 61 shall be ASSE® Listed 1013, rated to 180°F and supplied with full port ball valves. The main body and access covers shall be low lead bronze (ASTM B 584), the seat ring and all internal polymers shall be Noryl™ and the seat disc elastomers shall be silicone. The first and second checks shall be accessible for maintenance without disassembling the relief valve or the entire device from the line. If installed indoors, the installation shall be supplied with an air gap adapter, integral monitor switch and appropriate drain. The Reduced Pressure Principle Backflow Preventer shall be a ZURN WILKINS Model 975XL2TCU.