



Model 720A

Pressure Vacuum Breaker Assembly

Application

Designed for installation on irrigation water lines to protect against backsiphonage of contaminated water into the potable water supply. Assembly shall provide protection where a potential health hazard exists. For non-potable applications only.

Standards Compliance

- ASSE® Listed 1020
- UPC® Listed
- CSA® Certified B64.1.2
- Approved by the Foundation for Cross-Connection Control and Hydraulic Research at the University of Southern California

Materials

Main valve body	Cast Bronze ASTM B584
Fasteners	Stainless Steel, 300 Series
Elastomers	Silicone
	Buna Nitrile
Polymers	Polypropylene
	POM Acetal (Delrin®)
Springs	Stainless Steel, 300 series

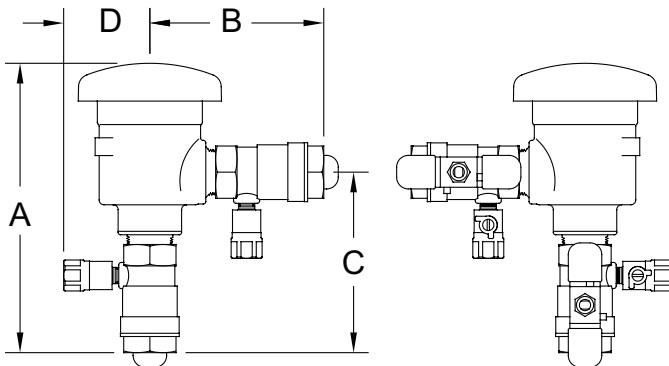


Accessories

- Repair kit (complete)
- Water Hammer Arrestor (Model 1260XL)
- QT-SET Quick Test Fitting Set

Features

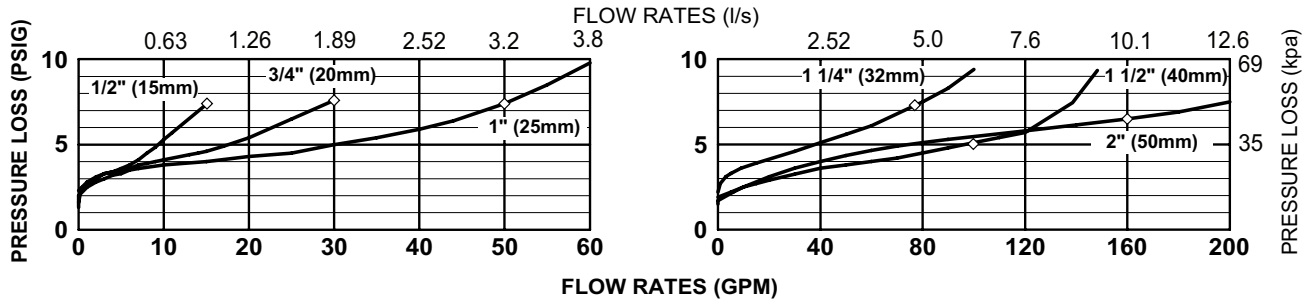
Sizes:	1/2", 3/4", 1", 1 1/4", 1 1/2", 2"
Maximum working water pressure	150 PSI
Maximum working water temperature	110°F
Hydrostatic test pressure	300 PSI
End connections threaded	ANSI B1.20.1



Dimensions & Weights (do not include pkg.)

MODEL SIZE		DIMENSIONS (approximate)								WEIGHT			
		A		B		C		D		LESS BV		WITH BV	
in.	mm	in.	mm	in.	mm	in.	mm	in.	mm	lbs.	kg	lbs.	kg
1/2	15	7 1/8	181	4 1/16	103	4 1/4	108	2 1/4	57	1.8	0.8	3.8	1.4
3/4	20	7 3/16	183	4 5/16	110	4 5/16	110	2 3/8	60	1.8	0.8	3.8	1.4
1	25	7 3/4	197	4 5/8	117	4 3/4	121	2 5/8	67	1.8	0.8	5.1	2.3
1 1/4	32	11	279	7 7/16	189	7 7/16	189	3 1/8	79	14	6.4	20	9
1 1/2	40	10 1/2	267	7	178	7	178	3 1/8	79	14	6.4	20	9
2	50	11 1/16	281	7 9/16	192	7 11/16	195	3 1/8	79	14	6.4	26	10.4

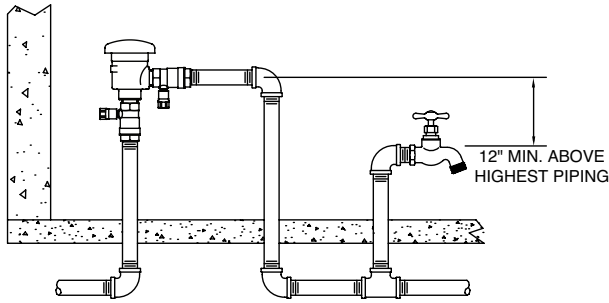
MODEL 720A 1/2", 3/4", 1", 1 1/4", 1 1/2" & 2" (STANDARD & METRIC)



Typical Installation

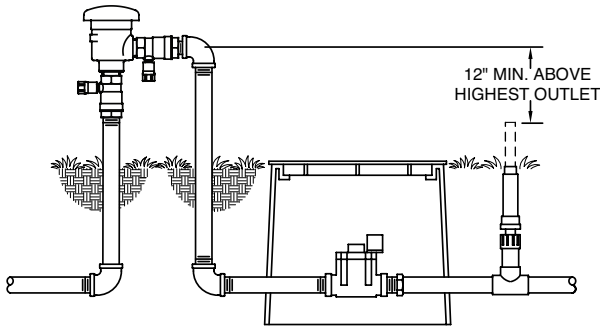
Local codes shall govern installation requirements. Unless otherwise specified, the assembly shall be mounted at a minimum of 12" (305mm) above the highest piping or outlet downstream of the device. Install with adequate drain and sufficient side clearance for testing and maintenance. The installation shall be made so that no part of the unit can be submerged. A pressure vacuum breaker cannot be installed where back-pressure could occur or where spillage of water from vent could cause damage.

Capacity thru Schedule 40 Pipe				
Pipe size	5 ft/sec	7.5 ft/sec	10 ft/sec	15 ft/sec
1/8"	1	1	2	3
1/4"	2	2	3	5
3/8"	3	4	6	9
1/2"	5	7	9	14
3/4"	8	12	17	25
1"	13	20	27	40
1 1/4"	23	35	47	70
1 1/2"	32	48	63	95
2"	52	78	105	167



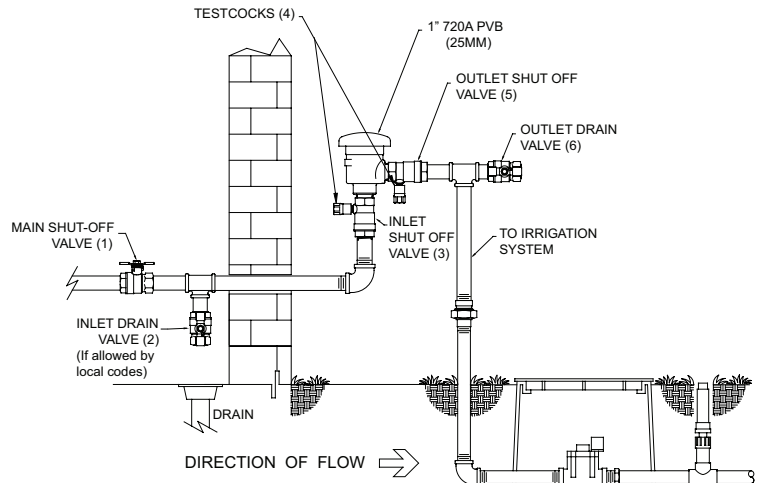
DIRECTION OF FLOW ⇒

INDOOR INSTALLATION



DIRECTION OF FLOW ⇒

TYPICAL OUTDOOR INSTALLATION
For warm climates with no winterization



TYPICAL OUTDOOR INSTALLATION
For cold climates which require winterization

Specifications

The Pressure Vacuum Breaker shall be ASSE 1020 approved, and supplied with full port ball valves. The main body and bonnet shall be bronze (ASTM B584), the loaded-air inlet shall use a silicone elastomer spring and seat disc. The entire assembly shall be accessible for maintenance and testing without removing the device from the line. For non-potable applications only. The Pressure Vacuum Breaker shall be a Zurn Wilkins Model 720A.