



Model 850XL

Full Port Bronze Ball Valve

Application

ZURN WILKINS Model 850XL Full Port Bronze Ball Valves are recommended for residential, commercial and industrial applications where Lead-Free* valves are required. Ideal for throttling and balancing installations of low pressure steam, air, water and non-corrosive gas or oil.



LEAD FREE



Standards Compliance

- Certified to NSF/ANSI 372* by IAPMO R&T
- *(0.25% MAX. WEIGHTED AVERAGE LEAD CONTENT)

Size 3/8" - 2"

Materials

| | |
|-----------------|------------------------------|
| Main valve body | Low lead Bronze ASTM B 584 |
| Ball | Chrome plated low lead brass |
| Seats | TFE virgin teflon |
| Stems | Brass ASTM B 16 |
| Stem packing | TFE virgin teflon |
| Thrust washer | TFE virgin teflon |
| Handle | Stainless steel |
| Handle nut | Stainless steel |

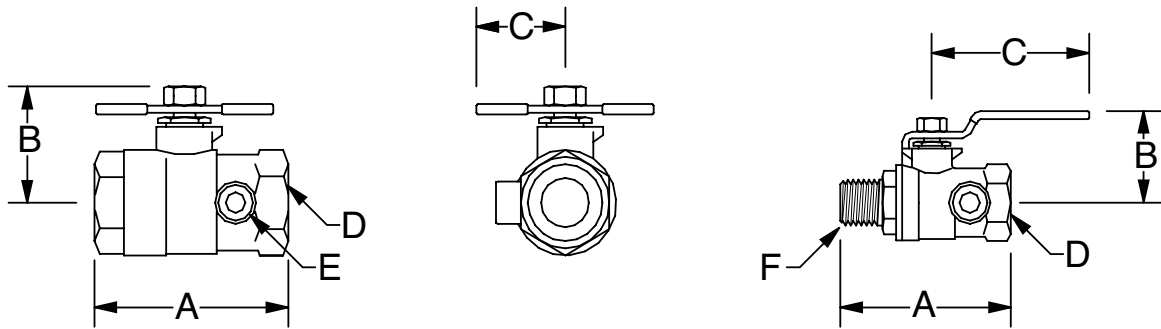
Options

(Suffixes can be combined)

- FNPT x FNPT connections, (3/8" - 2")
- M - MNPT x FNPT connections, (3/8" - 1/2")
- T - tapped (FNPT X FNPT)
- U - with single union body (FNPT x FNPT) (3/4" - 2")

Features

| | |
|-----------------------------|--|
| Sizes: | 3/8", 1/2", 3/4", 1", 1 1/4", 1 1/2", 2" |
| Pressure rating | 400 psi WOG |
| Temperature rating | 33°F to 350°F @50 psi |
| Threaded connections (FNPT) | ANSI B1.20.1 |



Dimensions & Weights (do not include pkg.)

| SIZE | DIMENSIONS (approximate) | | | | | | | | | | | | | | | | | |
|-------|--------------------------|-----|----------|--------------|-----|----------|--------|-----|----------|-------|----|-------|-----|--------------|---------------|-------------|--------|-----|
| | MODEL 850XL | | | MODEL 850UXL | | | 850MXL | | | B | | C | | D | E | F | WEIGHT | |
| | A | A | A TAPPED | A | A | A TAPPED | A | A | A TAPPED | in. | mm | in. | mm | THREAD FNPT | TAP SIZE FNPT | THREAD MNPT | lbs. | kg. |
| 3/8 | 1 7/8 | 48 | 2 7/16 | N/A | N/A | N/A | N/A | N/A | N/A | 1 1/4 | 32 | 1 1/2 | 38 | 3/8-18 | 1/8-27 | N/A | 1 | 0.5 |
| 1/2 | 2 1/4 | 57 | 2 1/2 | N/A | N/A | N/A | 2 5/8 | 67 | 2 1/4 | 1 7/8 | 48 | 2 3/4 | 70 | 1/2-14 | 1/8-27 | 1/2-14 | 1 | 0.5 |
| 3/4 | 2 1/2 | 64 | 2 3/4 | 3 5/16 | 84 | 3 5/8 | N/A | N/A | N/A | 1 3/4 | 45 | 1 5/8 | 41 | 3/4-14 | 1/8-27 | N/A | 1 | 0.5 |
| 1 | 2 3/4 | 70 | 3 | 3 7/8 | 94 | 4 1/8 | N/A | N/A | N/A | 2 | 51 | 1 5/8 | 41 | 1-11 1/2 | 1/8-27 | N/A | 2 | 1 |
| 1 1/4 | 3 5/16 | 84 | 3 5/8 | 4 1/4 | 108 | 4 1/2 | N/A | N/A | N/A | 2 5/8 | 67 | 3 1/2 | 89 | 1 1/4-11 1/2 | 1/4-18 | N/A | 3 | 1.4 |
| 1 1/2 | 3 3/4 | 95 | 3 7/8 | 4 7/8 | 124 | 5 1/4 | N/A | N/A | N/A | 2 7/8 | 73 | 4 3/4 | 121 | 1 1/2-11 1/2 | 1/4-18 | N/A | 3 | 1.4 |
| 2 | 4 1/2 | 114 | 4 5/8 | 5 5/16 | 135 | 5 5/8 | N/A | N/A | N/A | 3 7/8 | 98 | 4 3/4 | 121 | 2-11 1/2 | 1/4-18 | N/A | 6 | 2.7 |