



Model 850XL

Full Port Bronze Ball Valve

Application

ZURN WILKINS Model 850XL Full Port Bronze Ball Valves are recommended for residential, commercial and industrial applications where Lead-Free* valves are required. Ideal for throttling and balancing installations of low pressure steam, air, water and non-corrosive gas or oil.



LEAD FREE



Standards Compliance

- Certified to NSF/ANSI 372* by IAPMO R&T
- *(0.25% MAX. WEIGHTED AVERAGE LEAD CONTENT)

Size 3/8" - 2"

Materials

Main valve body	Low lead Bronze ASTM B 584
Ball	Chrome plated low lead brass
Seats	TFE virgin teflon
Stems	Brass ASTM B 16
Stem packing	TFE virgin teflon
Thrust washer	TFE virgin teflon
Handle	Stainless steel
Handle nut	Stainless steel

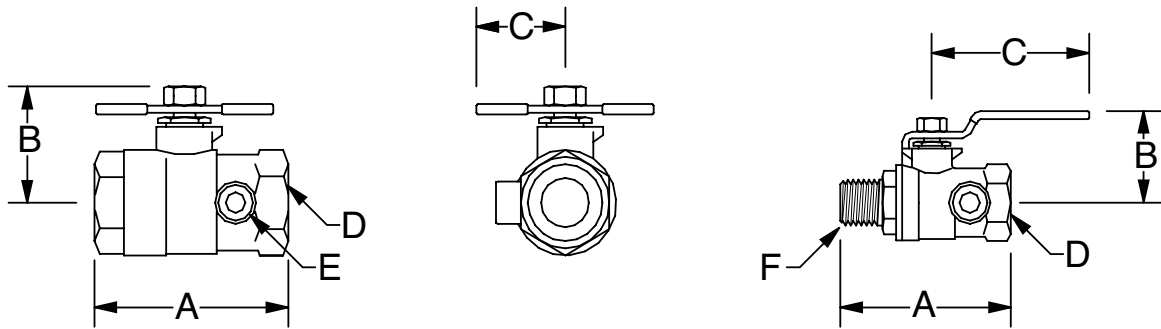
Options

(Suffixes can be combined)

- FNPT x FNPT connections, (3/8" - 2")
- M - MNPT x FNPT connections, (3/8" - 1/2")
- T - tapped (FNPT X FNPT)
- U - with single union body (FNPT x FNPT) (3/4" - 2")

Features

Sizes:	3/8", 1/2", 3/4", 1", 1 1/4", 1 1/2", 2"
Pressure rating	400 psi WOG
Temperature rating	33°F to 350°F @50 psi
Threaded connections (FNPT)	ANSI B1.20.1



Dimensions & Weights (do not include pkg.)

SIZE	DIMENSIONS (approximate)																	
	MODEL 850XL			MODEL 850UXL			850MXL			B		C		D	E	F	WEIGHT	
	A	A	A TAPPED	A	A	A TAPPED	A	A	A TAPPED	in.	mm	in.	mm	THREAD FNPT	TAP SIZE FNPT	THREAD MNPT	lbs.	kg.
3/8	1 7/8	48	2 7/16	N/A	N/A	N/A	N/A	N/A	N/A	1 1/4	32	1 1/2	38	3/8-18	1/8-27	N/A	1	0.5
1/2	2 1/4	57	2 1/2	N/A	N/A	N/A	2 5/8	67	2 1/4	1 7/8	48	2 3/4	70	1/2-14	1/8-27	1/2-14	1	0.5
3/4	2 1/2	64	2 3/4	3 5/16	84	3 5/8	N/A	N/A	N/A	1 3/4	45	1 5/8	41	3/4-14	1/8-27	N/A	1	0.5
1	2 3/4	70	3	3 7/8	94	4 1/8	N/A	N/A	N/A	2	51	1 5/8	41	1-11 1/2	1/8-27	N/A	2	1
1 1/4	3 5/16	84	3 5/8	4 1/4	108	4 1/2	N/A	N/A	N/A	2 5/8	67	3 1/2	89	1 1/4-11 1/2	1/4-18	N/A	3	1.4
1 1/2	3 3/4	95	3 7/8	4 7/8	124	5 1/4	N/A	N/A	N/A	2 7/8	73	4 3/4	121	1 1/2-11 1/2	1/4-18	N/A	3	1.4
2	4 1/2	114	4 5/8	5 5/16	135	5 5/8	N/A	N/A	N/A	3 7/8	98	4 3/4	121	2-11 1/2	1/4-18	N/A	6	2.7