

# Engineering Specification

Job Name \_\_\_\_\_  
 Job Location \_\_\_\_\_  
 Engineer \_\_\_\_\_  
 Approval \_\_\_\_\_

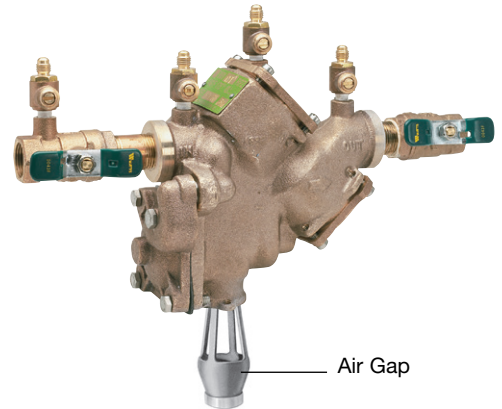
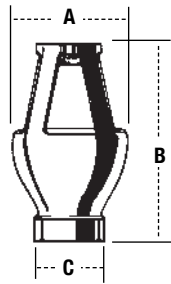
Contractor \_\_\_\_\_  
 Approval \_\_\_\_\_  
 Contractor's P.O. No. \_\_\_\_\_  
 Representative \_\_\_\_\_

## Air Gaps, Elbows, and Test Cocks For Reduced Pressure Zone Assemblies

### Air Gaps

An air gap provides the unobstructed, physical separation between the discharge end of a potable water supply line and an open receiving vessel.

The installation of an air gap and drain line are recommended.



909 QT/LF909 QT

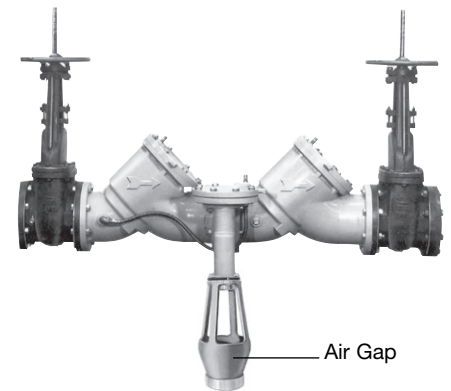
### Approvals

ANSI/ASME A112.1.2

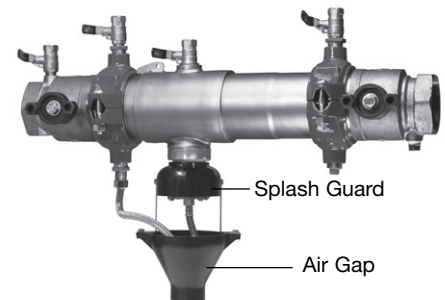
MODEL	ORDERING CODE	SIZE/SERIES	DIMENSIONS						WEIGHT	
			A		B		C (NPT)		lb	kg
909AGA	0881399	1/2" - 1/2" 009/LF009 3/4" 009/LF009M2/M3 1/2" - 1" 995	2 3/8	60	3 1/8	79	1/2	13	0.63	0.28
909AGC	0881376	3/4" - 1" 009/LF009, 909/ LF909 1" - 1 1/2" 009/LF009M2 1 1/4" - 2" 995	3 1/4	83	4 7/8	124	1	25	1.50	0.68
909AGC-B	0881377	3/4" - 1" 909 1" - 1 1/2" 009M2 1 1/2" - 2" 995	3 1/4	88	3 3/4	95	1	25	1.90	0.86
909AGF	0881378	1 1/4" - 3" 009/LF009, 909/ LF909 1 1/4" - 2" 009/LF009M1 2" 009/LF009M2	4 3/8	111	6 3/4	171	2	51	3.25	1.47
909AGK	0881385	4" - 6" 909/LF909 4" - 10" 909RPDA 8" - 10" 909/LF909M1	6 3/8	162	9 5/8	244	3	76	6.25	2.83
909AGM	0881387	8" - 10" 909/LF909	7 3/8	187	11 1/4	286	4	102	15.50	7.03
919AGC	0881576	3/4" - 1" 919/LF919	2 3/8	60	3 1/8	79	1/2	13	0.63	0.28
919AGF	0881577	1 1/4" - 2" 919/LF919	4 3/8	111	8 1/2	216	2	51	3.5	1.6
957-AG	0111764	2 1/2" - 10" 957	7 1/2	190	12	304	2	51	1.50	0.68

### Splash Guard

994AGK-P	0881397	2 1/2" - 10" 994	8	203	11 1/4	286	2	51	1.50	0.68
995-AG	0439190	3" - 6" 995	5	127	8	203	2	51	-	-
957-AG SG	0111815	2 1/2" - 10" 957	4 3/4	119	2 1/2	62	-	-	0.4	0.18



909 OSY/LF909 OSY



957 QT

### NOTICE

The information contained herein is not intended to replace the full product installation and safety information available or the experience of a trained product installer. You are required to thoroughly read all installation instructions and product safety information before beginning the installation of this product. Inquire with governing authorities for local installation requirements.

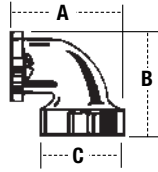
Watts product specifications in U.S. customary units and metric are approximate and are provided for reference only. For precise measurements, please contact Watts Technical Service. Watts reserves the right to change or modify product design, construction, specifications, or materials without prior notice and without incurring any obligation to make such changes and modifications on Watts products previously or subsequently sold.



## Vent Elbows

Used with Watts air gaps for vertical installation of Reduced Pressure Zone assemblies.

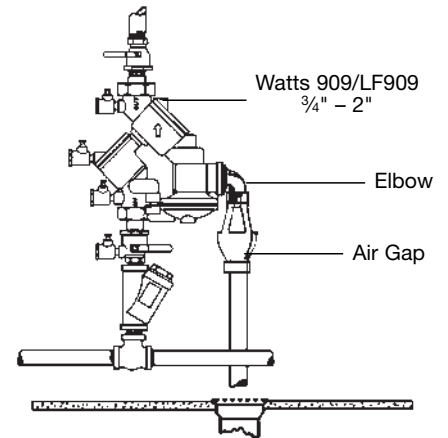
Series 909 sizes 3/4" and 1" are approved for vertical installation.



### NOTICE

Not all RPZ assemblies have certification for vertical installation. Inquire with governing authorities for local installation allowances.

MODEL	MATERIAL	ORDERING CODE	SIZE/SERIES	DIMENSIONS			WEIGHT	
				A in. mm	B in. mm	C in. mm	lb	kg
909EL-A	Bronze	0881370	1/4"-1/2" 009/LF009 3/4" 009/LF009M2/M3 1/2"-1" 995	—	—	—	—	—
909EL-C	Iron	0881380	3/4"-1" 009/LF009, 909/LF909 1"-1 1/2" 009/LF009M2 1 1/4"-2" 995	2 3/8 60	2 3/8 60	—	0.38	0.17
909EL-F	Gray Cast Iron with Zinc Phosphate Primer	0881382	1 1/4"-2" 009/LF009M1 1 1/4"-2" 009/LF009, 909/LF909 2" 009M2	3 5/8 92	3 5/8 92	—	2	0.91
909EL-H			0881384	2 1/2"-3" 009/LF009, 909/LF909	—	—	2	51
919 EL-C	Bronze	0881578	3/4"-1" 919/LF919	2 1/4 57	2 5/8 67	—	0.63	0.28
919 EL-F	Cast Iron	0881579	1 1/4"-2" 919/LF919	5 1/4 133	4 102	—	2	0.9
994EL-F	Steel Epoxy Coated	0881396	2 1/2"-10" 994	4 7/8 124	9 229	2	51	4 1.8



### Vertical (Up) Installation

Use the elbow as shown when vertical installation is allowed.

## Test Cocks - Lead Free\*

### LFTC

For use with backflow preventers, isolation valve for gauges, isolation valves for small equipment lines.

- Full port ball valve design
- Screwdriver slot to open and close
- Available 1/8" M x 1/4" F (0792001) or 1/4" M x 1/4" F (0792000)

### LFSAE-TC

- Full port ball valve design
- Screwdriver slot operation
- Available 1/8" M x SAE (0792002)



### LFTC for SilverEagle®

- 1/2" TC for 2 1/2" - 4" Series 757 and 957 (0792520)
- 3/4" TC for 6" - 10" Series 757 and 957 (0792521)
- 3/4" TC for 6" - 10" with MNPT thread (0792525)
- Full port ball valve design



### No. 3 LFTC with O-Ring

- For 2 1/2" - 4" Series 757 and 957 (0792522)
- For 6" - 10" Series 757 and 957 (0792523)

\*The wetted surface of this product contacted by consumable water contains less than 0.25% of lead by weight.

## Accessories Cap and Tether

### Plastic cap and tether

(Four required per backflow preventer)

- Fits 1/4" Female test cocks
- Plastic dust cap and rubber tether
- RK-TC 1/8" (0888846)



### SAE-TC Brass Cap

Protects SAE-TC from dirt and debris (0006902)

### SAE-TC Adapter

- 1/4" female SAE x 7/16" FPT
- Adapts to SAE-TC for use with pressure gauge and/or site tube
- SAE-TC Adapter (0006903)



### Brass Cap & Plastic Tether

(Four required per backflow preventer)

- Fits 0888846 M x SAE test cocks
- Brass dust cap with O-ring seal and rubber tether
- RK-SAE-TC (0888845)



USA: T: (978) 689-6066 • Watts.com

Canada: T: (905) 332-4090 • Watts.ca

Latin America: T: (52) 55-4122-0138 • Watts.com