

Series 009, LF009

Reduced Pressure Zone Assemblies

Sizes 1/4" - 1"

Repair Kits

When ordering specify Ordering Code, Kit No., and Valve Size.

ORDERING CODE	KIT NO.	SIZE
---------------	---------	------

Total Repair Kits

0887298	RK 009-T	1/4" - 1/2"
0888527	RK 009M3-T	3/4"
0887302	RK 009M2-T	3/4"
0887283	RK 009-T	3/4" - 1"
0887793	RK 009M2-T	1"

Kit consists of: relief valve repair kit, first check repair kit, second check repair kit, retainer (if plastic)

Relief Valve Kits

Total Relief Valve Kits

0887294	RK 009 VT	1/4" - 1/2"
0887509	RK S5009 VT	1/2"
0887002	RK 009M2 VT	3/4"
0887520	RK S5009M2/M3 VT	1/4" - 3/4"
0888524	RK 009M3 VT	3/4"
0887015	RK 009 VT	3/4" - 1"
0887503	RK S5009 VT	1"
0887785	RK 009M2 VT	1"

Kit consists of: seat, stem O-ring, diaphragm assembly, stem O-ring, cover O-ring and RV spring.

Relief Valve Rubber Parts Kits

0887295	RK 009 RV	1/4" - 1/2"
0887510	RK S5009 RV	1/2"
0886998	RK 009M2 RV	3/4"
0887519	RK S5009M2/M3 RV	1/4" - 3/4"
0888523	RK 009M3 RV	3/4"
0887181	RK 009 RV	3/4" - 1"
0887529	RK S5009 RV	3/4" - 1"
0887786	RK 009M2 RV	1"

Kit consists of: diaphragm, disc assembly, stem O-rings, seat O-ring and cover O-ring.

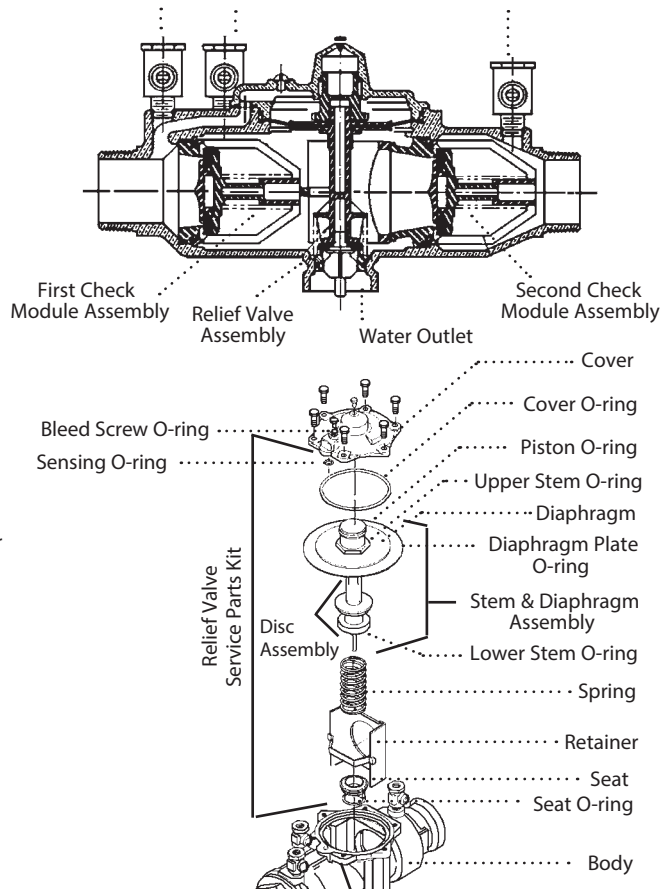
Total Rubber Parts Kits

0887297	RK 009 RT	1/4" - 1/2"
0887511	RK S5009 RT	1/2"
0886999	RK 009M2 RT	3/4"
0887521	RK S5009M2 RT	1/4" - 3/4"
0888597	RK 009M3 RT	1/4" - 3/4"
0888526	RK 009M3 RT	3/4"
0887182	RK 009 RT	3/4" - 1"
0887530	RK S5009 RT	1"
0887787	RK 009M2 RT	1"

Kit consists of: diaphragm, two disc assemblies, stem O-rings, cover O-ring, two seat O-rings and RV seat O-ring.

*The wetted surface of this product contacted by consumable water contains less than 0.25% of lead by weight.

Test Cock No.2 Test Cock No.3 Test Cock No.4



ORDERING CODE	KIT NO.	SIZE
---------------	---------	------

Cover Kits

0794044	LFRK 009 C	1/4" - 1/2"
0887500	RK S5009 C	1/2"
0887013	RK 009 C	3/4" - 1"
0887501	RK S5009M2/M3 C	1/4" - 3/4"
0794045	LFRK 009M2/M3 C	3/4"
0887502	RK S5009 C	1"
0794046	LFRK 009M2 C	1"

Kit consists of: cover and cover O-ring.

Series 009, LF009

Reduced Pressure Zone Assemblies

Sizes 1 1/4" - 2"

Repair Kits

When ordering specify Ordering Code, Kit No., and Valve Size.

ORDERING CODE	KIT NO.	SIZE
---------------	---------	------

Total Repair Kits

0887794	RK 009M2-T	1 1/4" - 1 1/2"
0887284	RK 009-T	1 1/4" - 2"
0887269	RK 009M1-T	1 1/4" - 2"
0887795	RK 009M2-T	2"

Kit consists of: relief valve repair kit, first check repair kit, second check repair kit, retainer (if plastic)

Relief Valve Kits

Relief Valve Total Kits

0887307	RK 009M2 VT	1 1/4" - 1 1/2"
0887277	RK 009M1 VT	1 1/4" - 2"
0887016	RK 009 VT	1 1/4" - 2"
0887545	RK 009M2 VT	2"

Kit consists of: RV assembly, seat, stem O-ring, cover O-ring, sensing passage O-ring and upper stem O-ring and RV spring.

Relief Valve Rubber Parts Kits

0887306	RK 009M2 RV	1 1/4" - 1 1/2"
0887276	RK 009M1 RV	1 1/4" - 2"
0887184	RK 009 RV	1 1/4" - 2"
0887544	RK 009M2 RV	2"

Kit consists of: diaphragm, seat O-ring, cover O-ring and sensing passage O-ring.

Complete Rubber Parts Kits

0887309	RK 009M2 RT	1 1/4" - 1 1/2"
0887185	RK 009 RT	1 1/4" - 2"
0887280	RK 009M1 RT	1 1/4" - 2"
0887547	RK 009M2 RT	2"

Kit consists of: two check assembly O-rings, two disc assemblies, one cover O-ring, one RV diaphragm, one RV seat O-ring, one sensing passage O-ring, one diaphragm plate O-ring, one RV lower stem O-ring, one RV upper stem O-ring, one RV disc assembly and one bleed screw O-ring.

Cover Kits

0794047	LFRK 009M2 C	1 1/4" - 1 1/2"
0794048	LFRK 009M2 C	2" 009M2, 1 1/4" - 2" 009/009M1

Kit consists of: cover, cover O-ring sensing passage O-ring, bleed screw O-ring, vent hood and bleed screw.

*The wetted surface of this product contacted by consumable water contains less than 0.25% of lead by weight.

Series 009, LF009

Reduced Pressure Zone Assemblies

Sizes 1/4" - 2"

Check valve kits

When ordering specify Ordering Code, Kit No., and Valve Size.

1/4" - 1"

ORDERING CODE	KIT NO.	SIZE
---------------	---------	------

First Check Kits

0887291	RK 009 CK1	1/4" - 1/2"
0887505	RK S5009 CK1	1/2" - 3/4"
0887000	RK 009M2 CK1	3/4"
0887515	RK S5009M3 CK1	1/4" - 3/4"
0888520	RK 009M3 CK1	3/4"
0887005	RK 009 CK1	3/4" - 1"
0887009	RK 009 CK1SS	3/4" - 1"
0887525	RK S5009 CK1	1"
0887789	RK 009 M2 CK1	1"

Kit consists of: check assembly and cover O-ring.

Second Check Kits

0887292	RK 009 CK2	1/4" - 1/2"
0887506	RK S5009 CK2	1/2" - 3/4"
0887001	RK 009M2 CK2	3/4"
0887516	RK S5009M3 CK2	1/4" - 3/4"
0888521	RK 009M3 CK2	3/4"
0887007	RK 009 CK2	3/4" - 1"
0887011	RK 009 CK2SS	3/4" - 1"
0887526	RK S5009 CK2	1"
0887790	RK 009M2 CK2	1"

Kit consists of: check assembly and cover O-ring.

Check Rubber Parts

0887293	RK 009 RC1	1/4" - 1/2"
0887507	RK S5009 RC1	1/2" - 3/4"
0887508	RK S5009 RC2	1/2" - 3/4"
0887003	RK 009M2 RC3	3/4"
0888595	RK S5009M3 RC1	1/4" - 3/4"
0888596	RK S5009M3 RC2	1/4" - 3/4"
0888522	RK 009M3 RC3	3/4"
0887017	RK 009 RC1	3/4" - 1"
0887180	RK 009 RC2	3/4" - 1"
0887527	RK S5009 RC1	1"
0887528	RK S5009 RC2	1"
0887791	RK 009M2 RC1	1"
0887792	RK 009M2 RC2	1"

Kit consists of: disc, cover O-ring and seat O-ring.

*The wetted surface of this product contacted by consumable water contains less than 0.25% of lead by weight.

Series 009, LF009

Reduced Pressure Zone Assemblies

Sizes 2 1/2" - 3"

Repair Kits

When ordering specify Ordering Code, Kit No., and Valve Size.

ORDERING CODE	KIT NO.	SIZE
---------------	---------	------

Total Repair Kits

0794051	LFRK 009-T	2 1/2" - 3"
---------	------------	-------------

Kit consists of: relief valve repair kit, first check repair kit, second check repair kit, retainer (if plastic)

Relief Valve Kits

Total Relief Valve Kits

0794052	LFRK 009 VT	2 1/2" - 3"
---------	-------------	-------------

Kit consists of: seat, stem assembly, spring, two piston O-rings, flow tube O-ring and cover O-ring.

Relief Valve Rubber Parts

0794053	LFRK 009 RV	2 1/2" - 3"
---------	-------------	-------------

Kit consists of: diaphragm, disc, molded disc assembly, piston O-ring, stem O-ring and cover O-ring.

Stem O-ring located between stem and piston O-ring.

Check valve kits

When ordering specify Ordering Code, Kit No., and Valve Size.

ORDERING CODE	KIT NO.	SIZE
---------------	---------	------

First Check Parts Kit

0794054	LFRK 009 CK1	2 1/2" - 3"
---------	--------------	-------------

Second Check Parts Kit

0794055	LFRK 009 CK2	2 1/2" - 3"
---------	--------------	-------------

Kit consists of: check assembly, cover O-ring and flow tube O-ring.

First Check Rubber Parts Kit

0887281	RK 009 RC1	2 1/2" - 3"
---------	------------	-------------

Second Check Rubber Parts Kit

0887205	RK 009 RC2	2 1/2" - 3"
---------	------------	-------------

Kit consists of: disc, seat O-ring, cover O-ring and flow tube O-ring.

Total Rubber Parts

0794056	LFRK 009 RT	2 1/2" - 3"
---------	-------------	-------------

Kit consists of: diaphragm, two molded disc assemblies, two seat O-rings, RV O-ring, two piston O-rings, RV stem O-ring, flow tube O-ring and cover O-ring.

Cover Kit

0887282	RK 009 C	2 1/2" - 3"
---------	----------	-------------

Kit consists of: cover, cover O-ring and flow tube O-ring.

Check Seat Kit

0887208	RK 009 S1	2 1/2" - 3"
0887209	RK 009 S2	2 1/2" - 3"

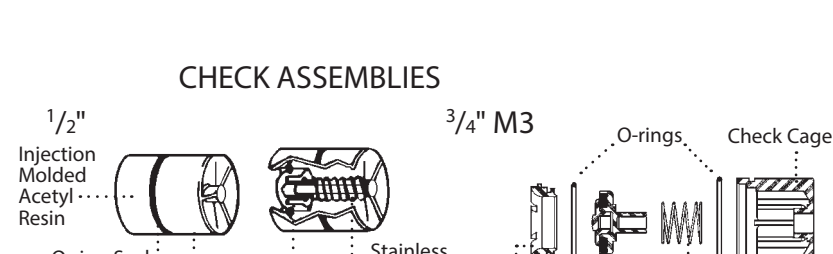
Kit consists of: check seat, seat O-ring and cover O-ring.

Rubber seat disc can be replaced. However, disc holder and disc retainer are permanently bonded to prevent failure.

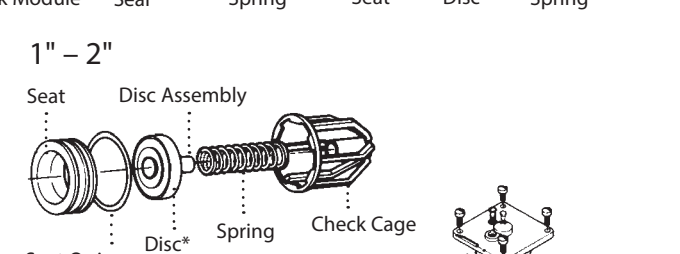
First and Second Check Valve modules are not interchangeable.

*The wetted surface of this product contacted by consumable water contains less than 0.25% of lead by weight.

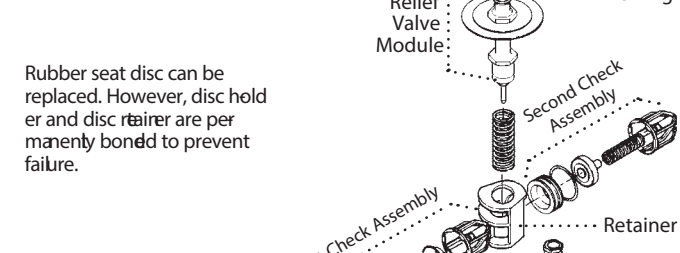
CHECK ASSEMBLIES



1" - 2"



Rubber seat disc can be replaced. However, disc holder and disc retainer are permanently bonded to prevent failure.



1 1/4" - 2"

ORDERING CODE	KIT NO.	SIZE
---------------	---------	------

First Check Kits

0887300	RK 009M2 CK1	1 1/4" - 1 1/2"
0887270	RK 009M1 CK1	1 1/4" - 2"
0887006	RK 009 CK1	1 1/4" - 2"
0887010	RK 009 CK1SS	1 1/4" - 2"
0887272	RK 009M1 CK1SS	1 1/4" - 2"
0887540	RK 009M2 CK1	2"

Kit consists of: first check assembly, cover O-ring and sensing passage O-ring.

Second Check Kits

0887301	RK 009M2 CK2	1 1/4" - 1 1/2"
0887271	RK 009M1 CK2	1 1/4" - 2"
0887008	RK 009 CK2	1 1/4" - 2"
0887012	RK 009 CK2SS	1 1/4" - 2"
0887273	RK 009M1 CK2SS	1 1/4" - 2"
0887541	RK 009M2 CK2	2"

Kit consists of: second check assembly, cover O-ring and sensing passage O-ring.

First Check Rubber Parts Kits

0887304	RK 009M2 RC1	1 1/4" - 1 1/2"
0887274	RK 009M1 RC1	1 1/4" - 2"
0887018	RK 009 RC1	1 1/4" - 2"
0887542	RK 009M2 RC1	2"

Kit consists of: first check assembly O-ring, disc holder assembly, cover O-ring and sensing passage O-ring.

Second Check Rubber Parts Kits

0887305	RK 009M2 RC2	1 1/4" - 1 1/2"
0887275	RK 009M1 RC2	1 1/4" - 2"
0887183	RK 009 RC2	1 1/4" - 2"
0887543	RK 009M2 RC2	2"

Kit consists of: second check assembly O-ring, disc holder assembly, cover O-ring and sensing passage O-ring.

Ball Type Test Cock No. 2 Test Cock No. 3 Test Cock No. 4