

Series 775, 775DCDA

Double Check Valve Assemblies

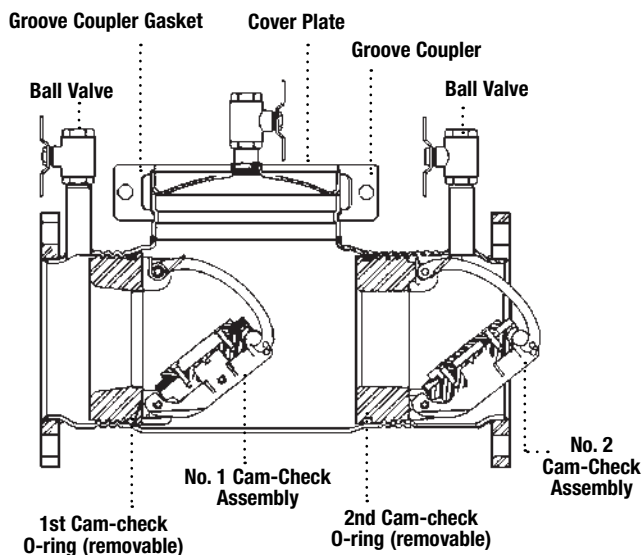
Double Check Detector Assemblies

Sizes 3" – 8"

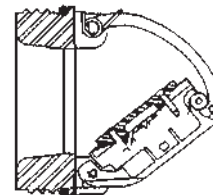
Repair Kits

When ordering specify Ordering Code, Kit No., and Valve Size.

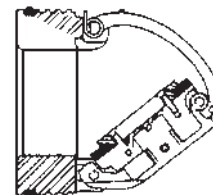
	ORDERING CODE	KIT NO.	SIZE	FOR USE WITH MODEL #'S
First Check Kit				
LEAD FREE	0888900	RK 775/775DCDA CK 1	3" – 4"	3" – 4" 775/775DCDA/N775/N775DCDA
	0888901	RK 775/775DCDA CK 1	6" – 8"	6" – 8" 775/775DCDA/N775/N775DCDA
Kit consists of: complete No. 1 check assembly with check O-ring.				
Second Check Kit				
LEAD FREE	0888902	RK 775/775DCDA CK 2	3" – 4"	3" – 4" 775/775DCDA/N775/N775DCDA
	0888903	RK 775/775DCDA CK 2	6" – 8"	6" – 8" 775/775DCDA/N775/N775DCDA
Kit consists of: complete No. 2 check assembly with check O-ring.				
Cover Kit				
LEAD FREE	0888905	RK 775/775DCDA C	6" – 8"	6" – 8" 775/775DCDA/N775/N775DCDA
Kit consists of: cover; grooved coupler & gasket.				
First Check Rubber Parts Kit				
LEAD FREE	0888906	RK 775/775DCDA RC1	3" – 4"	3" – 4" 775/775DCDA/N775/N775DCDA
	0888907	RK 775/775DCDA RC1	6" – 8"	6" – 8" 775/775DCDA/N775/N775DCDA
Kit consists of: first check assembly O-ring and check disc.				
Second Check Rubber Parts Kit				
LEAD FREE	0888908	RK 775/775DCDA RC2	3" – 4"	3" – 4" 775/775DCDA/N775/N775DCDA
	0888909	RK 775/775DCDA RC2	6" – 8"	6" – 8" 775/775DCDA/N775/N775DCDA
Kit consists of: second check assembly O-ring and check disc.				
Rubber Total Parts Kit				
LEAD FREE	0888910	RK 775/775DCDA RT	3" – 4"	3" – 4" 775/775DCDA/N775/N775DCDA
	0888911	RK 775/775DCDA RT	6" – 8"	6" – 8" 775/775DCDA/N775/N775DCDA
Kit consists of: first and second check assembly O-ring; and first and second check disc.				



No. 1 Check Assembly



No. 2 Check Assembly



*The wetted surface of this product contacted by consumable water contains less than 0.25% of lead by weight.