

Series 775

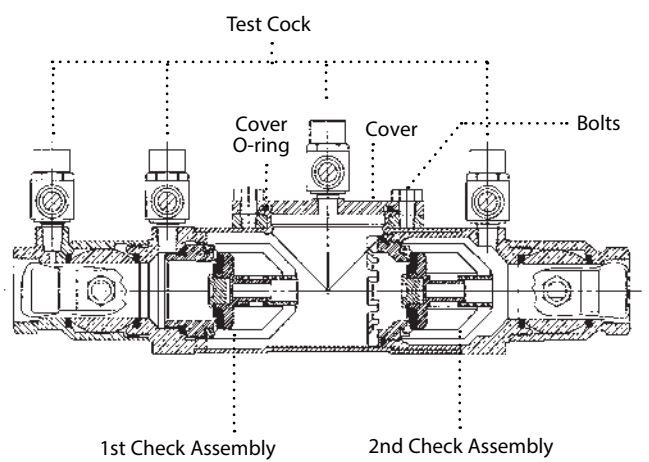
Double Check Valve Assemblies

Sizes 1/2" – 2"

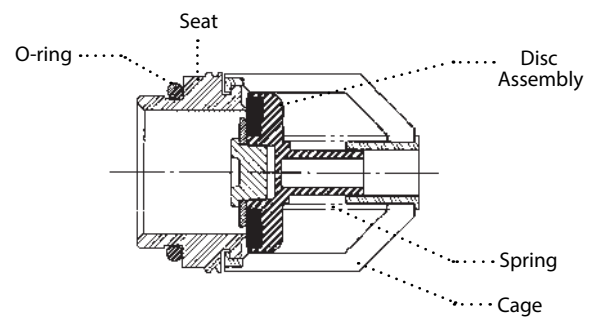
Repair Kits

When ordering specify Ordering Code, Kit No., and Valve Size.

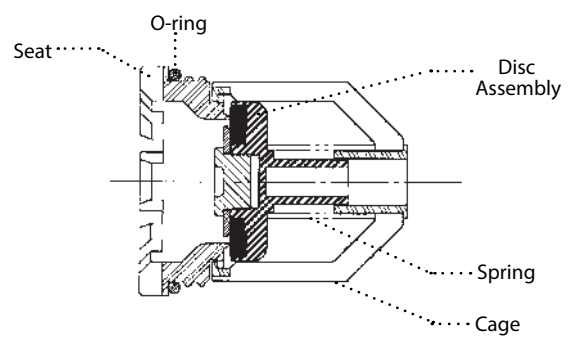
ORDERING CODE	KIT NO.	SIZE
1st Check Kits		
0888560	RK 775 CK1	1/2" – 3/4"
0888561	RK 775 CK1	1"
Kit consists of: disc assembly; seat; seat O-ring; spring; cage and cover O-ring.		
2nd Check Kits		
0888564	RK 775 CK2	1/2" – 3/4"
0888565	RK 775 CK2	1"
Kit consists of: disc assembly; seat; seat O-ring; spring; cage and cover O-ring.		
Rubber Parts Kits		
0888568	RK 775 RT	1/2" – 3/4"
0888569	RK 775 RT	1"
0888570	RK 775 RT	1 1/4" – 1 1/2"
0888571	RK 775 RT	2"
Kit consists of: 2 disc assemblies; 2 seat O-rings and cover O-ring.		
Cover Kits		
0888572	RK 775C	1/2" – 3/4"
0888573	RK 775C	1"
Kit consists of: cover and cover O-ring.		



1st Check



2nd Check



*The wetted surface of this product contacted by consumable water contains less than 0.25% of lead by weight.

Series 774, 774DCDA, 774X, 774XDCDA

Double Check Valve Assemblies

Double Check Detector Assemblies

Sizes 2 1/2" – 12"

Repair Kits

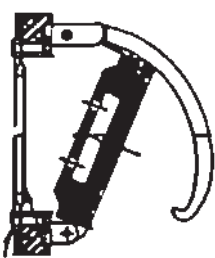
When ordering specify Ordering Code, Kit No., and Valve Size.

ORDERING CODE	KIT NO.	SIZE	FOR USE WITH MODEL #S
First Check Kit			
0888820	RK 774/774DCDA CK 1	2 1/2", 3", 4"	2 1/2"-4" 774/774DCDA/6" 774X/774XDCDA
0888821	RK 774/774DCDA CK 1	6"	6" 774/774DCDA/8" 774X/774XDCDA
0888827	RK 774/774DCDA CK4	8" – 12"	774/774DCDA
Kit consists of: complete #1 cam check with check O-ring.			
Second Check Kit			
0888822	RK 774/774DCDA CK 2	2 1/2", 3", 4"	2 1/2"-4" 774/774DCDA/6" 774X/774XDCDA
0888823	RK 774/774DCDA CK 2	6"	6" 774/774DCDA/8" 774X/774XDCDA
0888827	RK 774/774DCDA CK4	8" – 12"	774/774DCDA
Kit consists of: complete #2 cam check with check O-ring.			
Cover Kit			
0888824	RK 774/774DCDA C	2 1/2", 3", 4"	2 1/2"-4" 774/774DCDA
0888825	RK 774/774DCDA C	6"	6" 774/774DCDA/8" 774X/774XDCDA
0888826	RK 774X/774XDCDA C	6"	6" 774X/774XDCDA
0888828	RK 774/774DCDA C	8" – 12"	774/774DCDA
Kit consists of: cover; grooved coupler & gasket.			

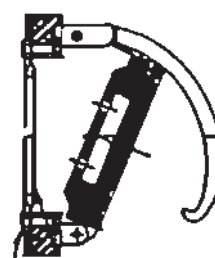
For 6" 774X 1st & 2nd check, use RK 774 CK1 & CK2 4"
 For 8" 774X 1st & 2nd check, use RK 774 CK1 & CK2 6"
 For 8" 774X cover kit, use RK 774 C 6"

For 6" 774XDCDA 1st & 2nd check, use RK 774DCDA CK1 & CK2 4"
 For 8" 774XDCDA 1st & 2nd check, use RK 774DCDA CK1 & CK2 6"
 For 8" 774XDCDA cover kit, use RK 774DCDA C 6"

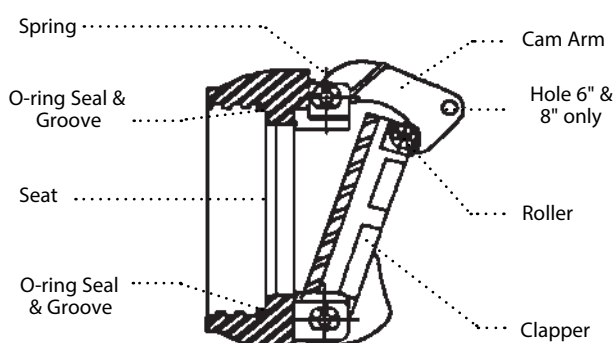
First Check 8" – 12"



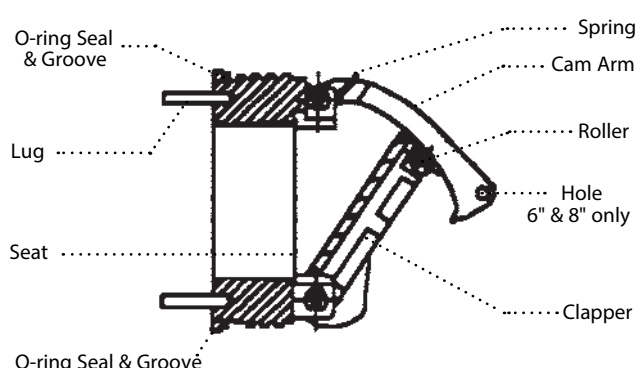
Second Check 8" – 12"



First Check 2 1/2" – 6"



Second Check 2 1/2" – 6"



*The wetted surface of this product contacted by consumable water contains less than 0.25% of lead by weight.