

# Series 709

## Double Check Valve Assemblies

Sizes 3/4" – 2"

### Repair Kits

When ordering specify Ordering Code, Kit No., and Valve Size.

ORDERING CODE	KIT NO.	SIZE
---------------	---------	------

#### First or Second Check Kits

0887150	RK 709 CK4	3/4" – 1"
0887151	RK 709 CK4	1 1/2" – 2"
0887154	RK 709 CK4SS*	3/4" – 1"
0887155	RK 709 CK4SS*	1 1/2" – 2"

Kit consists of: disc assembly; spring; seat O-ring and cover O-ring.

#### Complete Rubber Parts

0887152	RK 709 RT	3/4" – 1"
0887153	RK 709 RT	1 1/2" – 2"

Kit consists of: disc assembly; seat O-ring and cover O-ring.

#### Seat Kits

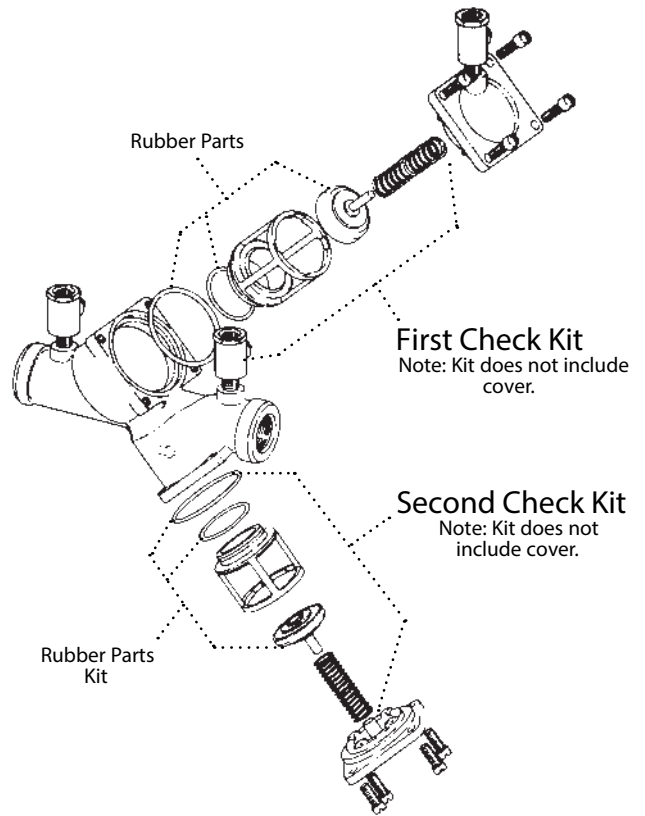
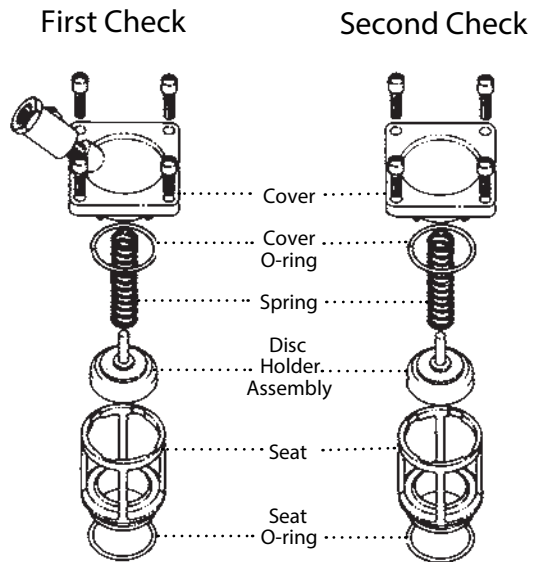
0887160	RK709 S4	3/4" – 1"
0887161	RK709 S4	1 1/2" – 2"
0887162	RK709 S4SS*	3/4" – 1"
0887163	RK709 S4SS*	1 1/2" – 2"

Kit consists of: seat; seat O-ring and cover O-ring.

#### Cover Kits

0887156	RK 709C1	3/4" – 1"
0887157	RK 709C1	1 1/2" – 2"
0887158	RK 709C2	3/4" – 1"
0887159	RK 709C2	1 1/2" – 2"

Kit consists of: cover and cover O-ring.



\*The wetted surface of this product contacted by consumable water contains less than 0.25% of lead by weight.

6

# Series 709, LF709

## Double Check Valve Assemblies

Sizes 2 1/2" – 10"

### Repair Kits

When ordering specify Ordering Code, Kit No., and Valve Size.

ORDERING CODE	KIT NO.	SIZE
---------------	---------	------

#### First or Second Check Kits

0794014	LFRK 709 CK4	2 1/2" – 3"
0794015	LFRK 709 CK4	4"
0794016	LFRK 709 CK4	**6"
0794017	LFRK 709 CK4	8"
0794018	LFRK 709 CK4	10"

Kit consists of: disc & spring assembly and cover O-ring.

#### Rubber Parts (for one check)

0887905	RK 709 RC4	2 1/2" – 3"
0887906	RK 709 RC4	4"
0887907	RK 709 RC4	**6"
0887908	RK 709 RC4	8"
0887909	RK 709 RC4	10"

Kit consists of: disc and cover O-ring.

#### Complete Rubber Parts

0887915	RK 709 RT	2 1/2" – 3"
0887916	RK 709 RT	4"
0887917	RK 709 RT	**6"
0887918	RK 709 RT	8"
0887919	RK 709 RT	10"

Kit consists of: 2 discs and 2 cover O-rings.

#### Seat Kits

0794019	LFRK 709S	2 1/2" – 3"
0794020	LFRK 709S	4"
0794021	LFRK 709S	6"
0794022	LFRK 709S	8"
0794023	LFRK 709S	10"

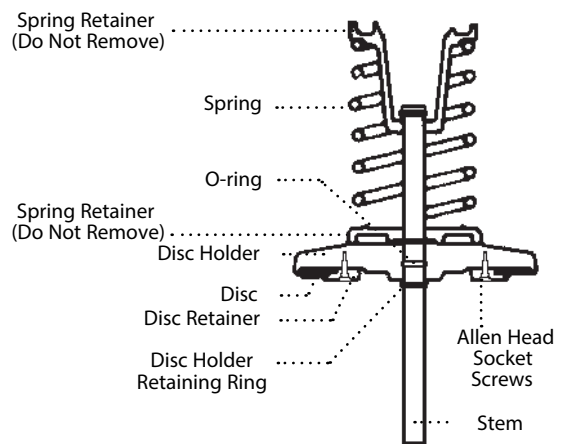
Kit consists of: seat; seat O-ring; cover O-ring and retainer wire.

#### Cover Kits

0887920	RK 709 C	2 1/2" – 3"
0887921	RK 709 C	4"
0887922	RK 709 C	6"
0887923	RK 709 C	8"
0887924	RK 709 C	10"

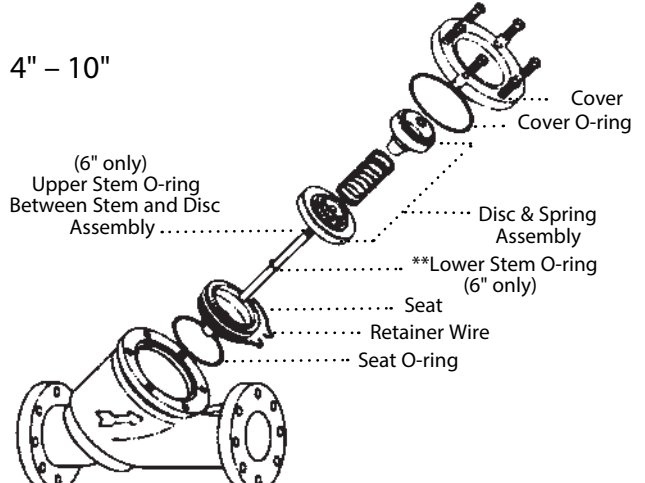
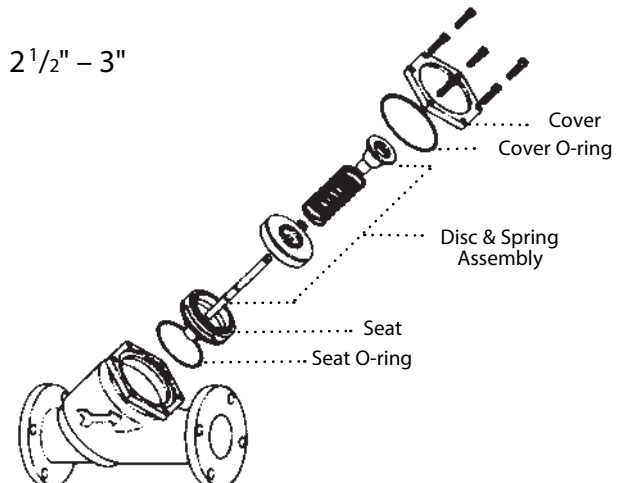
Kit consists of: cover and cover O-ring.

\*\*6" also includes upper and lower stem O-ring



#### WARNING

Spring assembly is factory assembled. DO NOT DISASSEMBLE.



\*The wetted surface of this product contacted by consumable water contains less than 0.25% of lead by weight.

7