

Series 909, LF909

Reduced Pressure Zone Assemblies

Sizes 2 1/2" – 10"

Check valve kits

When ordering specify Ordering Code, Kit No., and Valve Size.

| ORDERING CODE | KIT NO. | SIZE |
|---------------|---------|------|
|---------------|---------|------|

First Check Kits

| | | |
|---------|--------------|-------------|
| 0794096 | LFRK 909 CK1 | 2 1/2" – 3" |
| 0794097 | LFRK 909 CK1 | 4" |
| 0794098 | LFRK 909 CK1 | 6" |
| 0794099 | LFRK 909 CK1 | 8" |
| 0794100 | LFRK 909 CK1 | 10" |

Second Check Kits

| | | |
|---------|--------------|-------------|
| 0794101 | LFRK 909 CK2 | 2 1/2" – 3" |
| 0794102 | LFRK 909 CK2 | 4" |
| 0794103 | LFRK 909 CK2 | 6" |
| 0794104 | LFRK 909 CK2 | 8" |
| 0794105 | LFRK 909 CK2 | 10" |

Kit consists of: disc & spring assembly, cover O-ring and lubricant.

Seat Kits

| | | |
|---------|------------|-------------|
| 0794106 | LFRK 909 S | 2 1/2" – 3" |
| 0794107 | LFRK 909 S | 4" |
| 0794108 | LFRK 909 S | 6" |
| 0794109 | LFRK 909 S | 8" |
| 0794110 | LFRK 909 S | 10" |

Kit consists of: seat, seat O-ring, cover O-ring, retainer wires and lubricant.

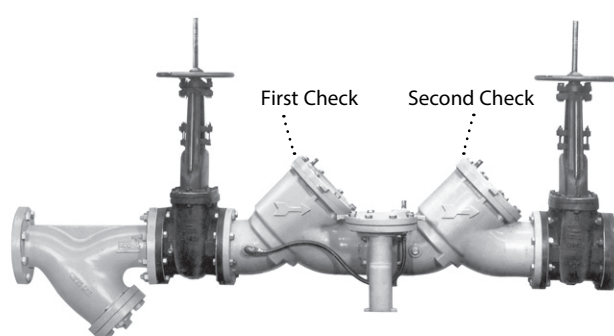
First Check Rubber Parts Kits

| | | |
|---------|------------|-------------|
| 0887220 | RK 909 RC1 | 2 1/2" – 3" |
| 0887221 | RK 909 RC1 | 4" |
| 0887223 | RK 909 RC1 | 6" |
| 0887224 | RK 909 RC1 | 8" |
| 0887225 | RK 909 RC1 | 10" |

Second Check Rubber Parts Kits

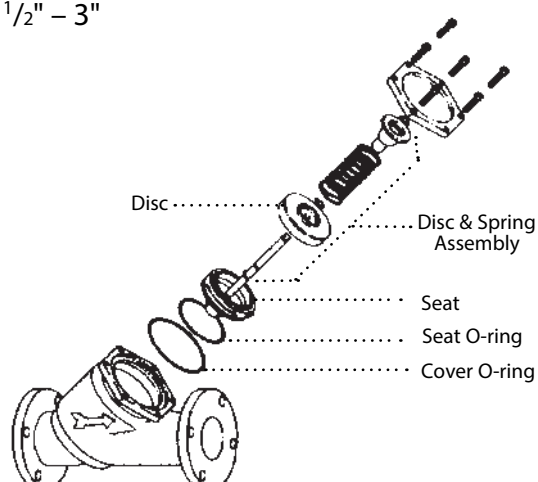
| | | |
|---------|------------|-------------|
| 0887226 | RK 909 RC2 | 2 1/2" – 3" |
| 0887227 | RK 909 RC2 | 4" |
| 0887228 | RK 909 RC2 | 6" |
| 0887229 | RK 909 RC2 | 8" |
| 0887230 | RK 909 RC2 | 10" |

Kit consists of: upper and lower check stem O-ring (6" only), check disc, cover O-ring and lubricant.

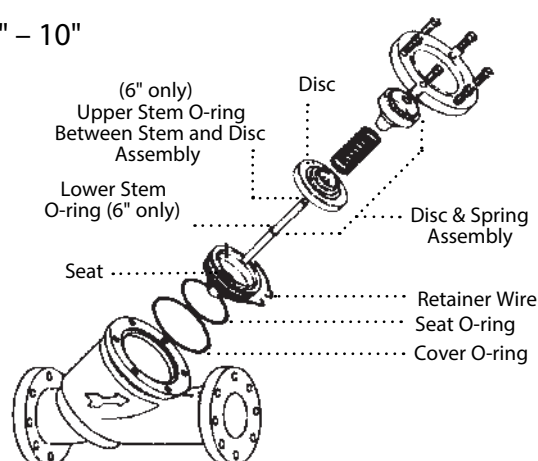


First and second checks are not interchangeable.

2 1/2" – 3"



4" – 10"



WARNING

Spring assembly is factory assembled. DO NOT DISASSEMBLE.

| ORDERING CODE | KIT NO. | SIZE | LIST PRICE |
|---------------|---------|------|------------|
|---------------|---------|------|------------|

Cover Kits for Checks

| | | | |
|---------|----------|-------------|----------|
| 0887740 | RK 909 C | 2 1/2" – 3" | \$257.50 |
| 0887741 | RK 909 C | 4" | 288.50 |
| 0887742 | RK 909 C | 6" | 402.00 |
| 0887743 | RK 909 C | 8" | 657.00 |
| 0887744 | RK 909 C | 10" | 1,469.00 |

Kit consists of: cover, cover O-ring and lubricant.

*The wetted surface of this product contacted by consumable water contains less than 0.25% of lead by weight.

Series 909, LF909

Reduced Pressure Zone Assemblies

Sizes 2 1/2" – 10"

Relief Valve Kits

When ordering specify Ordering Code, Kit No., and Valve Size.

**M1 = Cast iron relief valve.

| ORDERING CODE | KIT NO. | SIZE |
|---------------|---------|------|
|---------------|---------|------|

Relief Valve Rubber Parts

| | | |
|---------|-----------------|----------------------------|
| 0794081 | LFRK 909 RV | 2 1/2" – 3" |
| 0794083 | LFRK 909 RV | 8" – 10" |
| 0794150 | LFRK 909(M1)-RV | 4"–6" 909, 8"–10" 909M1 |

Kit consists of: sleeve O-ring, piston O-ring, stem O-ring, RV disc assembly, diaphragm, piston seal, bottom plug O-ring, adapter O-ring and lubricant.

Relief Valve Total

| | | |
|---------|-----------------|----------------------------|
| 0887237 | RK 909 VT | 8" – 10" |
| 0887267 | RK 909 VT | Bronze Body 4" – 6" |
| 0794085 | LFRK 909 VT | 2 1/2" – 3" |
| 0794151 | LFRK 909(M1)-VT | 4"–6" 909, 8"–10" 909M1 |

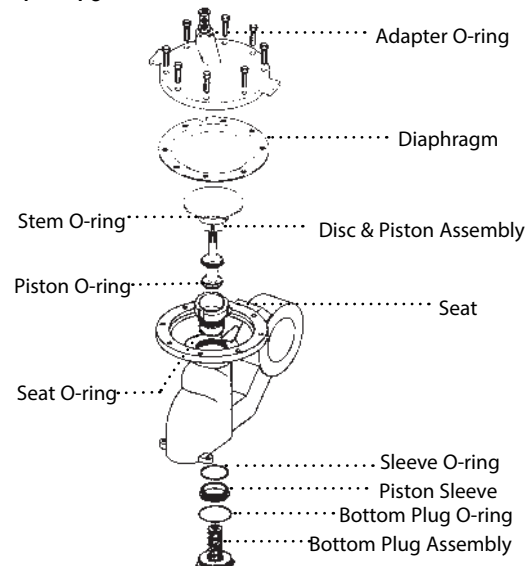
Kit consists of: diaphragm, disc & piston assembly, seat, seat O-ring, adapter O-ring and lubricant. (Sizes 4"–10"M1 includes bottom plug & spring assembly).

Total Rubber Parts Kits

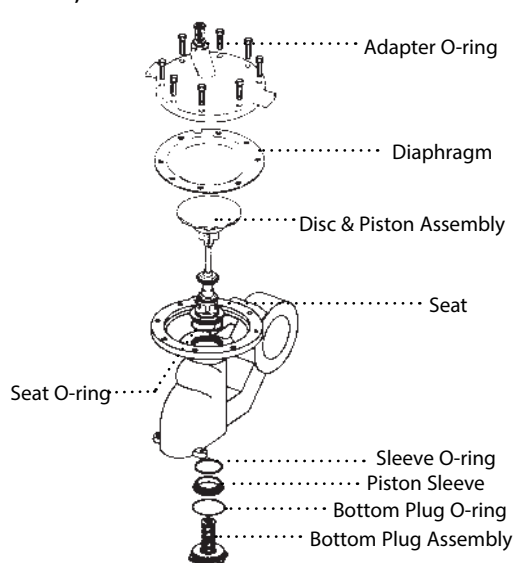
| | | |
|---------|---------------|-------------|
| 0794089 | LFRK 909 RT | 2 1/2" – 3" |
| 0794090 | LFRK 909 RT | 4" |
| 0794091 | LFRK 909 RT | 6" |
| 0794092 | LFRK 909 RT | 8" |
| 0794093 | LFRK 909M1 RT | 8" |
| 0794094 | LFRK 909 RT | 10" |
| 0794095 | LFRK 909M1 RT | 10" |

Kit consists of: upper and lower check stem O-ring (6" only), check disc, cover O-ring, sleeve O-ring, piston O-ring, RV disc assembly, diaphragm, piston seal and lubricant.

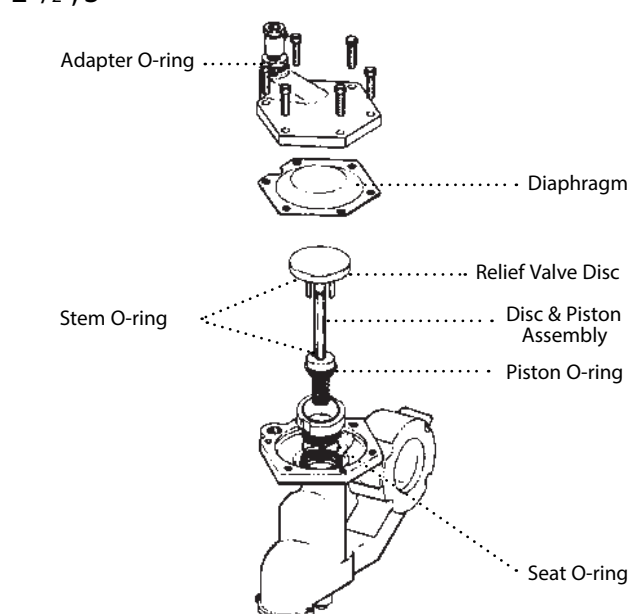
4" – 10"



8"M1, 10"M1



2 1/2", 3"



*The wetted surface of this product contacted by consumable water contains less than 0.25% of lead by weight.