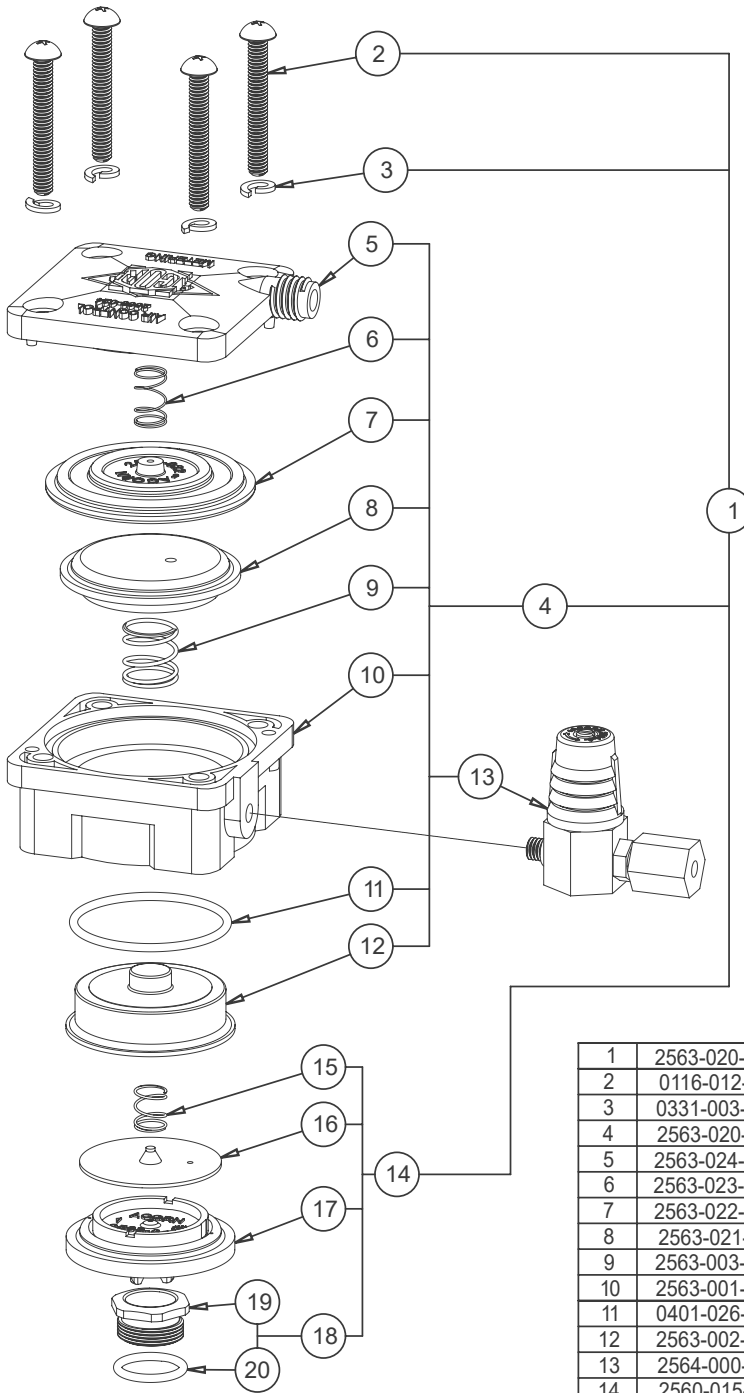


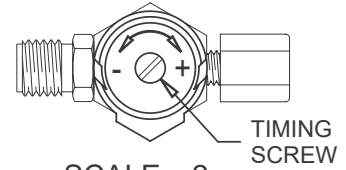


AIR-CONTROL METERING SERVOMOTOR ASSEMBLY

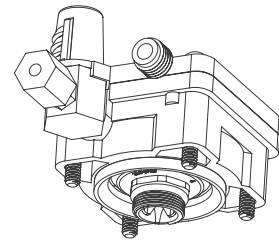
9955-000-003



TOP VIEW ITEM #13



TIMING IS ADJUSTABLE FROM 5 TO 60 SECONDS AND IS ACCOMPLISHED BY ROTATING TIMING SCREW. TURNING THE SCREW CLOCKWISE INCREASES WHILE COUNTERCLOCKWISE DECREASES TIMING.



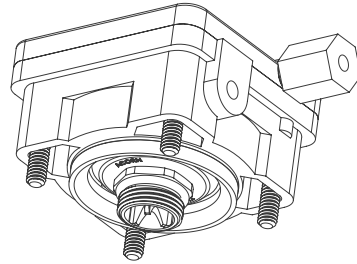
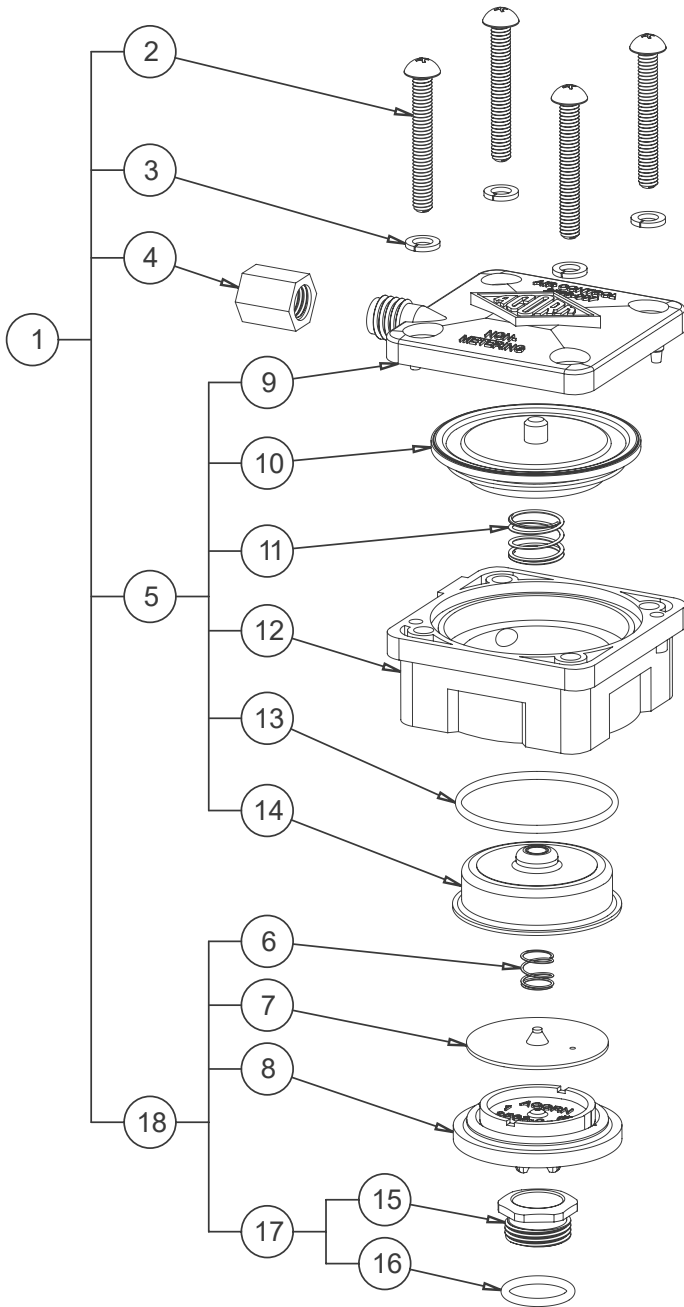
NOTE:
REMOVE ASSEMBLY (18)
FOR PLASTIC BODY INSTALL

1	2563-020-002	AIR-CONTROL METERING ASSEMBLY
2	0116-012-000	#8-32 x 1-1/4" LG PHILLIPS ROUND HEAD
3	0331-003-000	#8 LOCKWASHER
4	2563-020-001	METERING MOTOR ASSEMBLY
5	2563-024-000	METERING COVER PLATE
6	2563-023-000	METERING AIR DIAPHRAGM SPRING
7	2563-022-000	METERING AIR DIAPHRAGM
8	2563-021-001	MAGNET CUP ASSEMBLY
9	2563-003-000	ACTUATOR SPRING
10	2563-001-000	MOTOR HOUSING
11	0401-026-000	O-RING
12	2563-002-199	SEPARATOR CUP
13	2564-000-001	TIMER ASSEMBLY
14	2560-015-001	SEAT ASSEMBLY
15	2563-008-000	PILOT ORIFICE PLATE SPRING
16	2563-019-001	PILOT ORIFICE PLATE ASSEMBLY
17	2563-010-001	WATER DIAPHRAGM ASSEMBLY
18	2580-000-001	SEAT ASSEMBLY
19	2580-000-000	SEAT
20	0401-014-000	SEAT O-RING
ITEM	PART NUMBER	DESCRIPTION



AIR-CONTROL NON-METERING SERVOMOTOR ASSEMBLY

9955-001-003



NOTE:
REMOVE ASSEMBLY (17)
FOR PLASTIC BODY INSTALL

1	2563-000-002	DIRECT ACTING ASSEMBLY
2	0116-012-000	#8-32 x 1-1/4" PHILLIPS ROUND HEAD
3	0331-003-000	#8 LOCKWASHER
4	1895-450-000	1/8" PLASTIC COMPRESSION NUT
5	2563-000-001	DIRECT ACTING MOTOR ASSEMBLY
6	2563-008-000	PILOT ORIFICE PLATE SPRING
7	2563-019-001	PILOT ORIFICE PLATE ASSEMBLY
8	2563-010-001	WATER DIAPHRAGM ASSEMBLY
9	2563-007-000	DIRECT ACTING COVER PLATE
10	2563-004-001	DIRECT ACTING DIAPHRAGM ASSEMBLY
11	2563-003-000	ACTUATOR SPRING
12	2563-001-000	MOTOR HOUSING
13	0401-026-000	SEPARATOR CUP O-RING
14	2563-002-199	SEPARATOR CUP
15	2580-000-000	AIR-CONTROL VALVE SEAT
16	0401-014-000	BRASS SEAT O-RING
17	2580-000-001	SEAT ASSEMBLY
18	2560-015-001	WATER CHAMBER ASSEMBLY
ITEM	PART NUMBER	DESCRIPTION