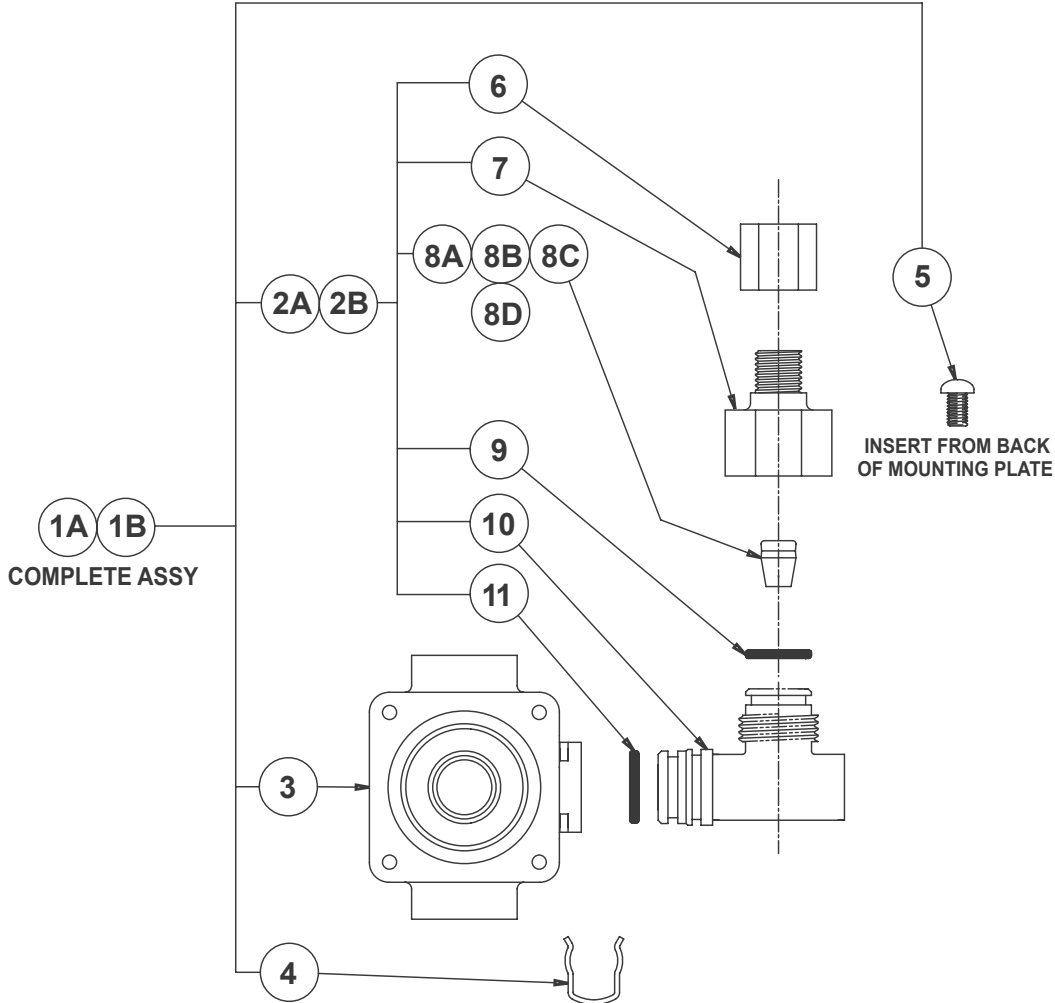




# SINGLE TEMP AIR-CONTROL VALVE BODY ASSEMBLY (-3)

9955-006-003

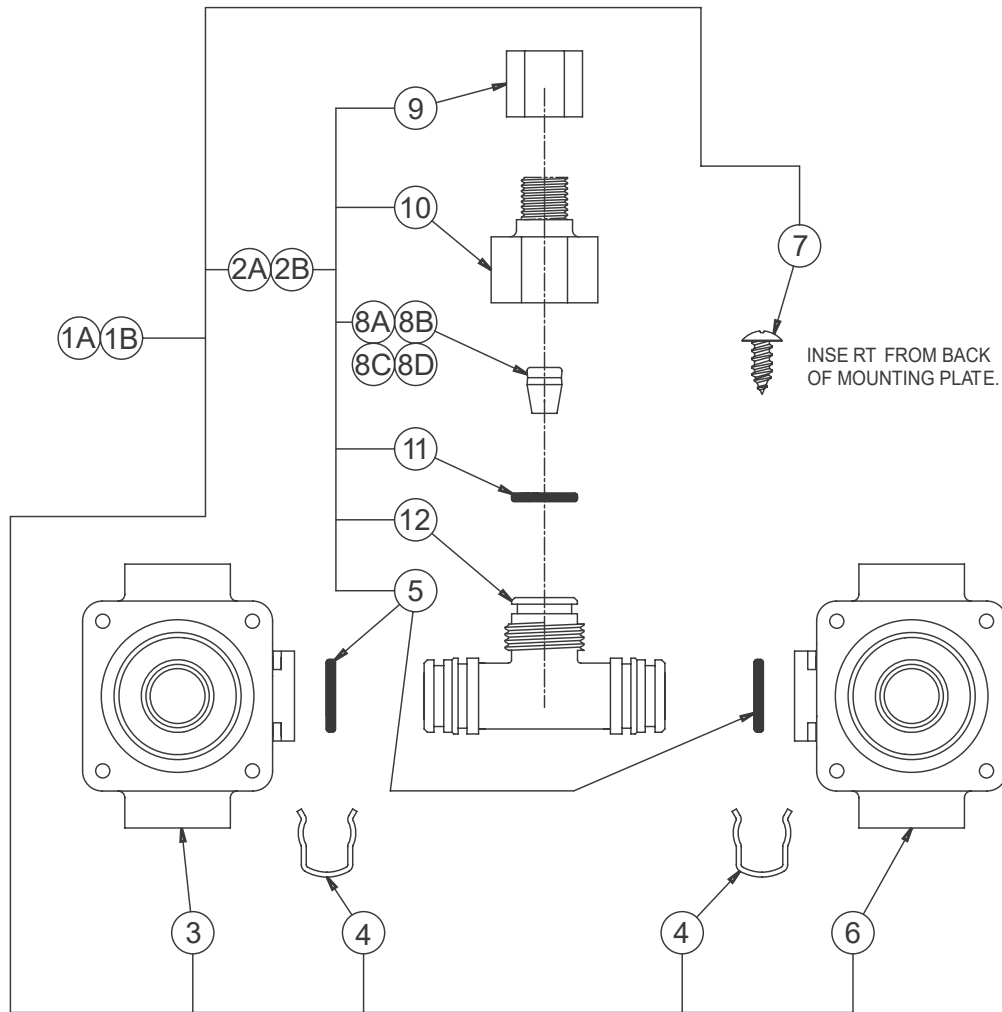


1A	2590-202-001	S/T VALVE BODY .5 GPM -LAVY
1B	2590-203-001	S/T VALVE BODY 2.5 GPM -SHOWER
2A	2570-045-001	SINGLE TEMP TEE ASSY .5 GPM -LAVY
2B	2570-046-001	SINGLE TEMP TEE ASSY 2.5 GPM -SHOWER
3	2570-027-000	LH VALVE BODY
4	0326-100-000	RETAINING CLIP
5	0124-010-000	#10-32 x 1/2" STN STL SCREW
6	1895-451-000	1/4" FERRULE NUT
7	2570-042-000	FLOW CONTROL ADAPTER
8A	0469-005-000	FLOW CONTROL .5 GPM -LAVY
8B	0469-025-000	FLOW CONTROL 2.5 GPM -SHOWER
8C	0469-022-000	FLOW CONTROL 2.2 GPM -SHOWER
8D	0469-007-000	FLOW CONTROL .7 GPM -DRINKING FOUNTAIN
9	0401-014-000	O-RING
10	2570-045-000	SINGLE TEMP TEE BODY
11	0401-015-000	O-RING
ITE	ART NUMBER	DESCRIPTION



# HOT & COLD AIR-CONTROL VALVE BODY ASSEMBLY (-4)

9955-005-003

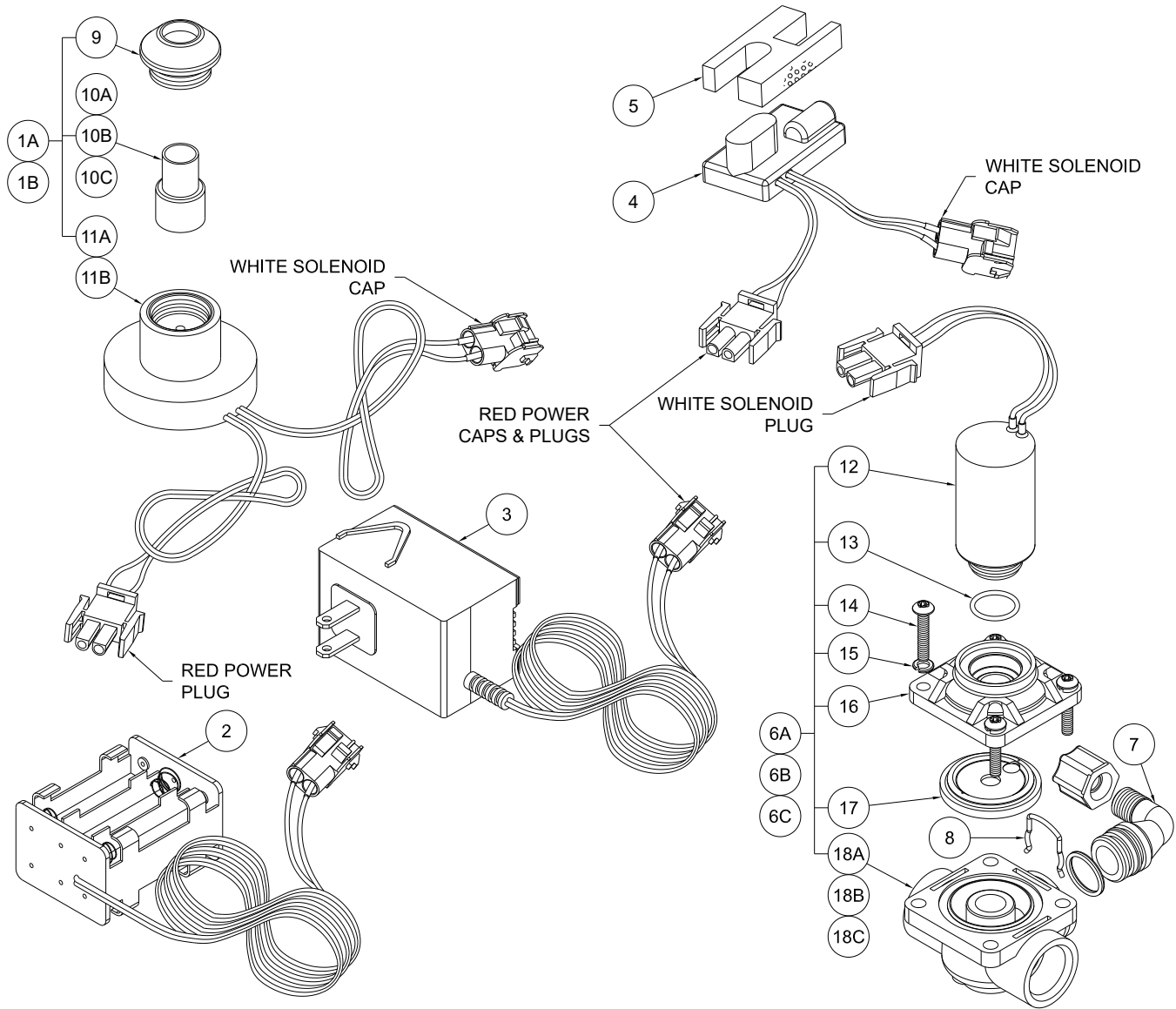


1A	2590-200-001	H & C VALVE BODY, .5GPM - LAVY	8A	0469-005-000	FLOW CONTROL .5GPM - LAVY
1B	2590-201-001	H & C VALVE BODY, 2.5GPM - SHOWER	8B	0469-025-000	FLOW CONTROL 2.5GPM - SHOWER
2A	2570-040-001	H & C MIXING TEE ASSY, .5GPM - LAVY	8C	0469-022-000	FLOW CONTROL 2.2GPM - SHOWER
2B	2570-043-001	H & C MIXING TEE ASSY, 2.5GPM - SHWR	8D	0469-007-000	FLOW CONTROL .7GPM - DRINKING FOUN
3	2570-027-000	LEFT HAND VALVE BODY	9	1895-451-000	1/4" FERRULE NUT
4	0326-100-000	RETAINING CLIP	10	2570-042-000	FLOW CONTROL ADAPTER
5	0401-015-000	O-RING	11	0401-014-000	O-RING
6	2570-026-000	RIGHT HAND VALVE BODY	12	2570-041-000	MIXING TEE BODY
7	0124-010-000	#10-32 x 1/2" SS PHILLIPS HEAD SCREW			
ITEM	PART NUMBER	DESCRIPTION	ITEM	PART NUMBER	DESCRIPTION



# ELECTRONIC PUSHBUTTON INSTALL INSTRUCTIONS

9955-019-001

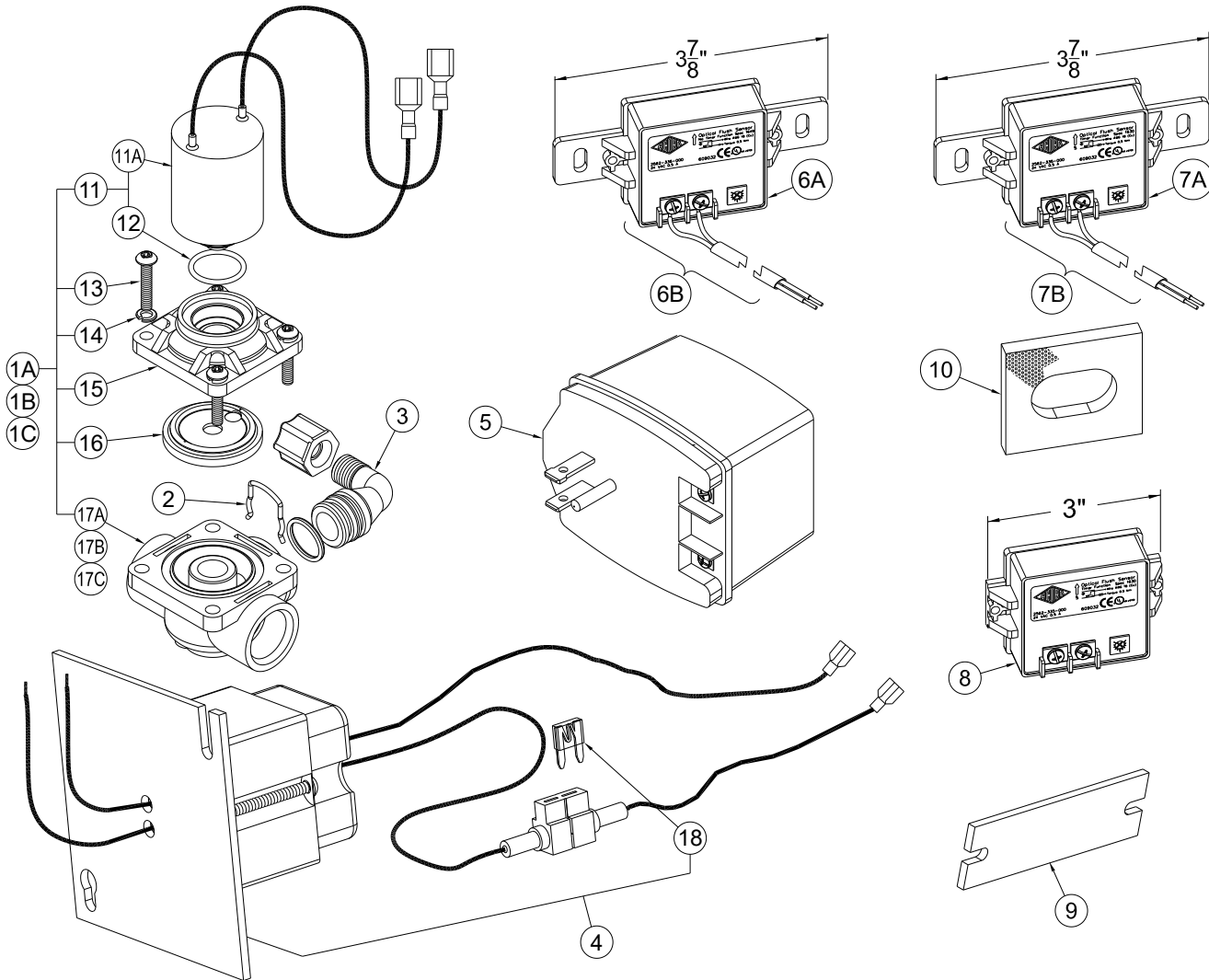


1A	2566-370-001	15 SEC ELECT PUSHBUTTON ASSY	10B	2566-026-000	PUSHBUTTON - "H"
1B	2566-373-001	60 SEC ELECT PUSHBUTTON ASSY	10C	2566-027-000	PUSHBUTTON - "C"
2	0710-357-001	AA SIX PACK BATTERY BOX ASSY	11A	2566-370-002	15 SEC ELECT PUSHBUTTON w/CONN
3	0711-410-001	9VDC PLUG-IN TRANSFORMER ASSY	11B	2566-373-002	60 SEC ELECT PUSHBUTTON w/CONN
4	2562-373-001	9VDC ELECTRONIC EYE SENSOR ASSY	12	2563-326-001	9VDC SOLENOID ASSEMBLY
5	6212-101-199	SENSOR EYE SPACER	13	0401-015-000	O-RING
6A	2570-132-001	P VALVE ASSY w/9VDC SOLENOID -LH	14	6502-043-000	#8-32 x 1/2" LONG PHIL RD HEAD
6B	2570-131-001	P VALVE ASSY w/9VDC SOLENOID -RH	15	0331-003-000	#8 LOCKWASHER
6C	2570-130-001	P VALVE ASSY w/9VDC SOLENOID -MA	16	2570-061-000	PLASTIC SOLENOID BONNET
7	2570-051-001	1/4" OD PLASTIC ELBOW ASSEMBLY	17	2563-010-001	WATER DIAPHRAGM ASSEMBLY
8	0326-100-000	RETAINING CLIP- PLASTIC	18A	2570-027-000	PLASTIC VALVE BODY -LH
9	2566-020-199	PUSHBUTTON ESCUTCHEON	18B	2570-026-000	PLASTIC VALVE BODY -RH
10A	2566-025-000	PUSHBUTTON - BLANK	18C	2570-025-000	PLASTIC VALVE BODY -MA
ITEM	PART NUMBER	DESCRIPTION	ITEM	PART NUMBER	DESCRIPTION



# SENSOR & SOLENOID VALVE ASSEMBLY

9955-015-002



NOTE: WHEN REPLACING THE SENSOR ON CIRCULAR SPRAYHEADS ENSURE TO REPLACE THE SENSOR FOAM GASKET AS WELL.

1A	2570-117-001	P VALVE ASSY w/24VDC SOLENOID -LH	10	2562-320-000	SENSOR FOAM GASKET, SS WASH
1B	2570-116-001	P VALVE ASSY w/24VDC SOLENOID -RH	11	2563-305-002	24VDC SOLENOID ASSY w/ O-RING
1C	2570-115-001	P VALVE ASSY w/24VDC SOLENOID -MA	11A	2563-305-001	24VDC SOLENOID ASSY LESS O-RING
2	0326-100-000	RETAINING CLIP- PLASTIC	12	0401-117-000	O-RING
3	2570-051-001	1/4" OD PLASTIC ELBOW ASSEMBLY	13	6502-043-000	#8-32 x 1/2" LONG PHIL RD HEAD
4	0710-700-001	120VAC/24VAC XFMR ON 4" SQ PLATE	14	0331-003-000	#8 SPLIT LOCKWASHER
5	0710-725-000	120VAC/120VAC PLUG-IN TRANSFORMR	15	2570-061-000	PLASTIC SOLENOID BONNET
6A	2562-336-000	24VAC SENSOR, LESS TIMER	16	2563-010-001	WATER DIAPHRAGM ASSEMBLY
6B	2562-336-001	24VAC SENSOR w/ WIRE, LESS TIMER	17A	2570-027-000	PLASTIC VALVE BODY -LH
7A	2562-335-000	24VAC SENSOR, TIMER	17B	2570-026-000	PLASTIC VALVE BODY -RH
7B	2652-331-001	24VAC SENSOR w/ WIRE, TIMER	17C	2570-025-000	PLASTIC VALVE BODY -MA
8	6210-059-199	24VAC SENSOR, TIMER 3"	18	0713-060-000	3 AMP .32 VOLT MINI FUSE
9	2562-334-000	24VAC SENSOR LENS			
ITEM	PART NUMBER	DESCRIPTION	ITEM	PART NUMBER	DESCRIPTION