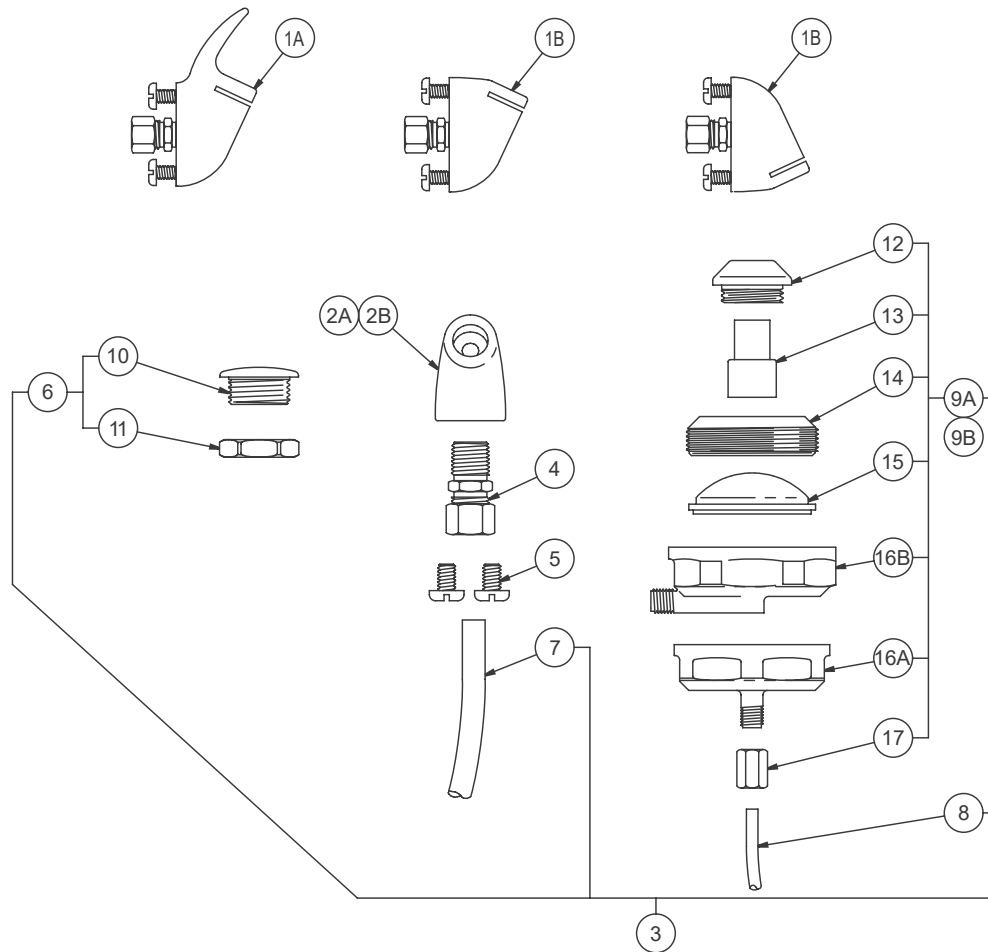




# SINGLE TEMP, AIR-CONTROL FIXTURE TRIM

9957-051-001



1A	4025-010-001	BUBBLER w/ MOUTHGUARD HARDWARE PKG
1B	4025-011-001	PENAL FILLER/BUBBLER HARDWARE
2A	4025-000-199	BUBBLER w/ MOUTHGUARD
2B	4025-001-199	PENAL FILLER/BUBBLER
3	4016-101-001	S/TEMP AIR-CONTROL FIXTURE TRIM
4	1895-002-000	1/4" TUBE x 1/4" NPT COMPRESSION FITTING
5	0126-004-000	#1/4-20 x 3/8" PAN HEAD SCREW
6	4005-050-001	BLANK ESCUTCHEON ASSEMBLY
7	2160-000-000	1/4" OD x 10 FEET SUPPLY TUBE
8	2150-000-000	1/8" OD x 10 FEET AIR TUBE
9A	2566-050-001	S/T BACK OUTLET PUSHBUTTON ASSEMBLY
9B	2566-025-001	S/T SIDE OUTLET PUSHBUTTON ASSEMBLY
10	4005-050-199	BLANK ESCUTCHEON
11	4015-001-199	RETAINER NUT
12	2566-020-199	ESCUTCHEON
13	2566-025-000	BLANK PUSHBUTTON
14	2566-022-000	ESCUTCHEON RETAINER
15	2566-001-000	DIAPHRAGM
16A	2566-056-199	DIAPHRAGM RETAINER, BACK OUTLET
16B	2566-055-199	DIAPHRAGM RETAINER, SIDE OUTLET
17	1895-450-000	1/8" FERRULE NUT
ITEM	PART NUMBER	DESCRIPTION