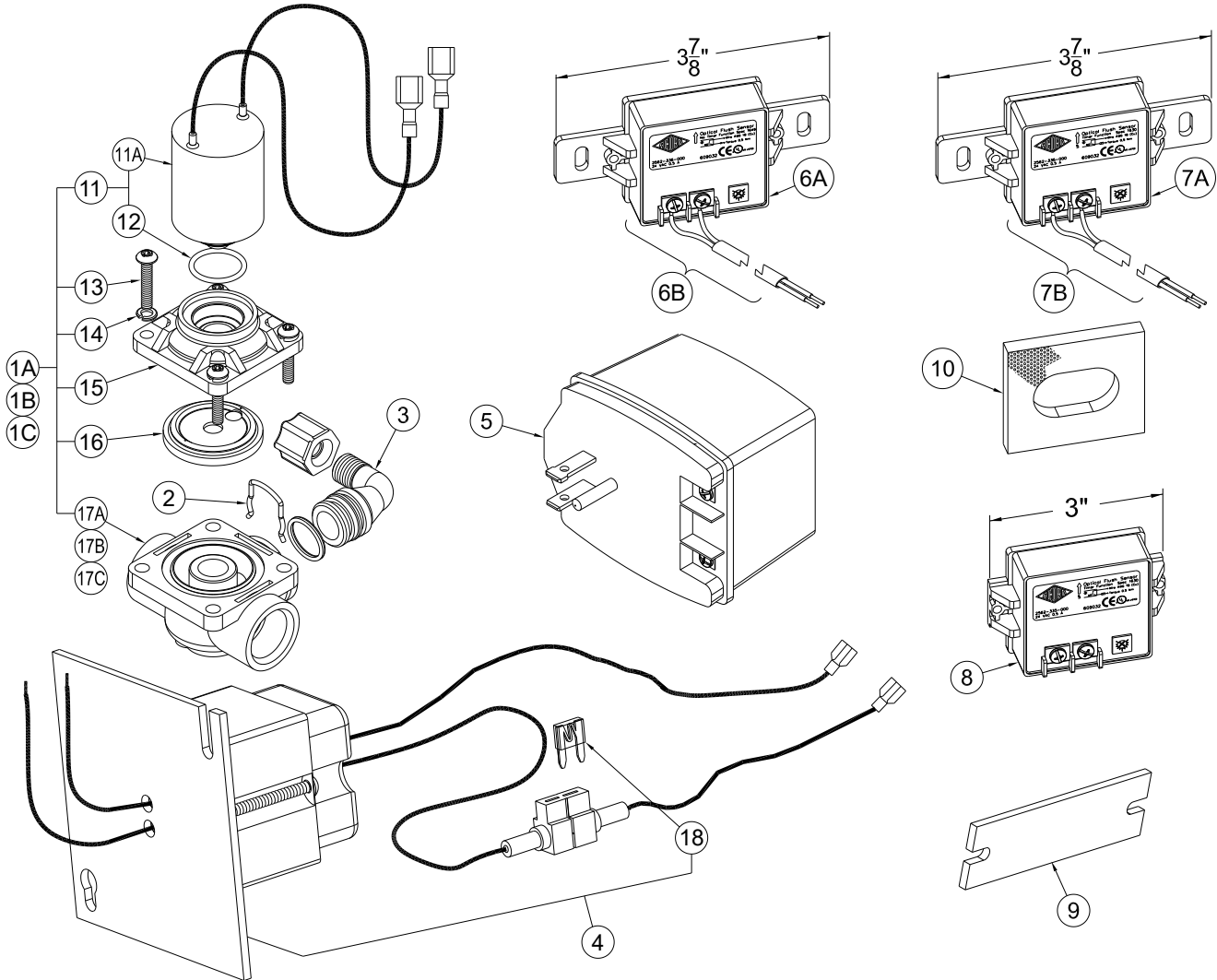




# SENSOR & SOLENOID VALVE ASSEMBLY

9955-015-002



NOTE: WHEN REPLACING THE SENSOR ON CIRCULAR SPRAYHEADS ENSURE TO REPLACE THE SENSOR FOAM GASKET AS WELL.

1A	2570-117-001	P VALVE ASSY w/24VDC SOLENOID -LH	10	2562-320-000	SENSOR FOAM GASKET, SS WASH
1B	2570-116-001	P VALVE ASSY w/24VDC SOLENOID -RH	11	2563-305-002	24VDC SOLENOID ASSY w/ O-RING
1C	2570-115-001	P VALVE ASSY w/24VDC SOLENOID -MA	11A	2563-305-001	24VDC SOLENOID ASSY LESS O-RING
2	0326-100-000	RETAINING CLIP- PLASTIC	12	0401-117-000	O-RING
3	2570-051-001	1/4" OD PLASTIC ELBOW ASSEMBLY	13	6502-043-000	#8-32 x 1/2" LONG PHIL RD HEAD
4	0710-700-001	120VAC/24VAC XFMR ON 4" SQ PLATE	14	0331-003-000	#8 SPLIT LOCKWASHER
5	0710-725-000	120VAC/120VAC PLUG-IN TRANSFORMR	15	2570-061-000	PLASTIC SOLENOID BONNET
6A	2562-336-000	24VAC SENSOR, LESS TIMER	16	2563-010-001	WATER DIAPHRAGM ASSEMBLY
6B	2562-336-001	24VAC SENSOR w/ WIRE, LESS TIMER	17A	2570-027-000	PLASTIC VALVE BODY -LH
7A	2562-335-000	24VAC SENSOR, TIMER	17B	2570-026-000	PLASTIC VALVE BODY -RH
7B	2652-331-001	24VAC SENSOR w/ WIRE, TIMER	17C	2570-025-000	PLASTIC VALVE BODY -MA
8	6210-059-199	24VAC SENSOR, TIMER 3"	18	0713-060-000	3 AMP .32 VOLT MINI FUSE
9	2562-334-000	24VAC SENSOR LENS			
ITEM	PART NUMBER	DESCRIPTION	ITEM	PART NUMBER	DESCRIPTION