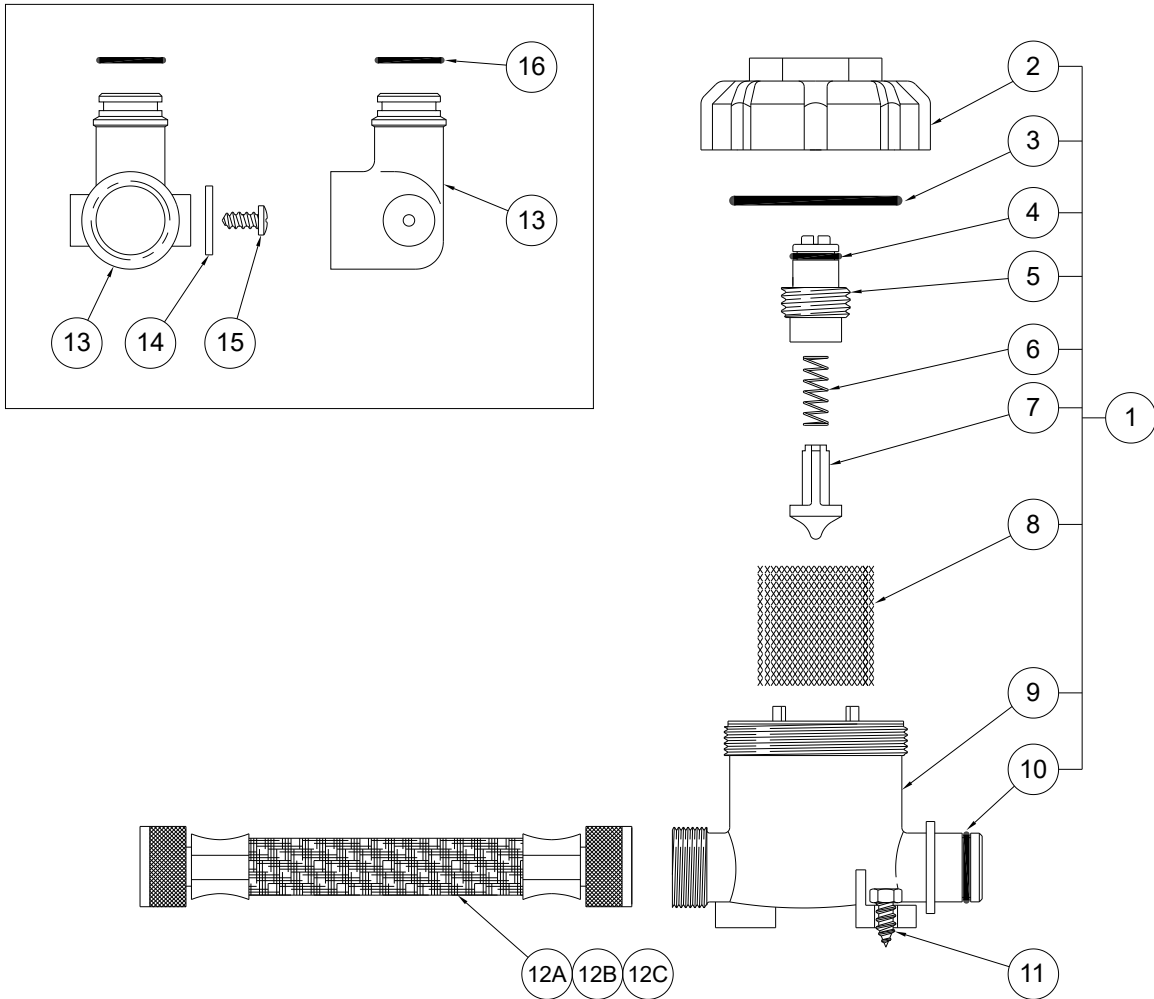




PLASTIC AIR-CONTROL CHECKSTOP ASSEMBLY

9956-040-003

**ELBOW ASSEMBLY USED ONLY ON
WASH-WARE & MERIDIAN MIXING VALVES.**



| | | |
|-------------|--------------------|---|
| 1 | 2570-000-001 | CHECKSTOP STRAINER ASSEMBLY |
| 2 | 2570-012-000 | STOP BONNET |
| 3 | 0401-129-000 | O-RING |
| 4 | 0401-012-000 | O-RING |
| 5 | 2570-015-199 | STOP STEM |
| 6 | 2415-002-000 | SPRING |
| 7 | 2570-014-000 | CHECK STEM |
| 8 | 2570-018-000 | STRAINER |
| 9 | 2570-011-001 | STOP BODY ASSEMBLY |
| 10 | 0401-016-000 | O-RING |
| 11 | 0124-005-000 | #10 x 1/2" HX HEAD SELF |
| 12A | 2195-010-000 | 1/2" NPS x 6-1/4" STN. STL. INLET HOSE |
| 12B | 2195-015-000 | 1/2" NPS x 15-3/4" STN. STL. INLET HOSE |
| 12C | 2195-024-000 | 1/2" NPS x 24" STN. STL. INLET HOSE |
| 13 | 2570-001-199 | M x F PLASTIC ELBOW |
| 14 | 0331-034-000 | SPACER WASHER |
| 15 | 0124-030-000 | #8 x 3/8" PAN HEAD SCREW |
| 16 | 0401-015-000 | O-RING |
| ITEM | PART NUMBER | DESCRIPTION |