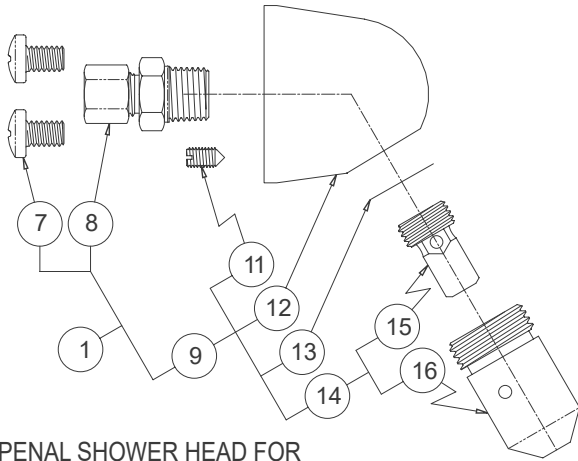


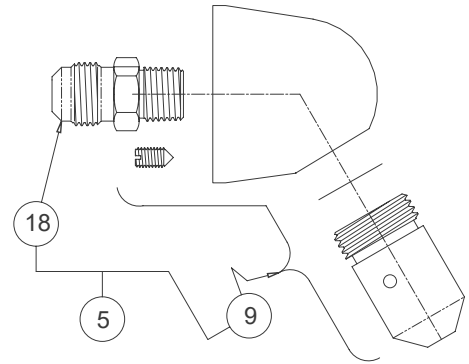


PENAL SHOWER HEADS

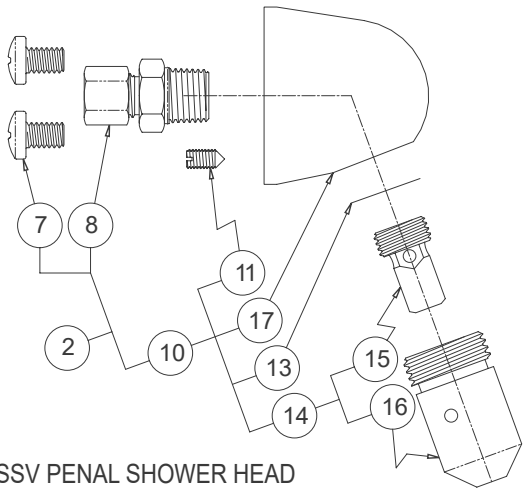
9970-000-003



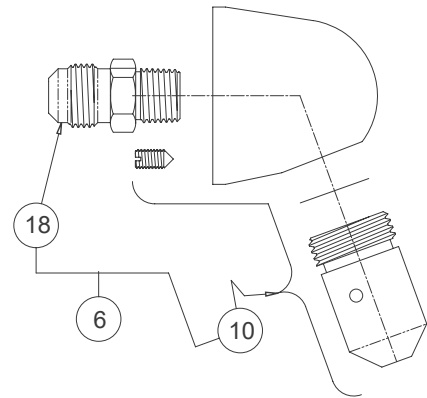
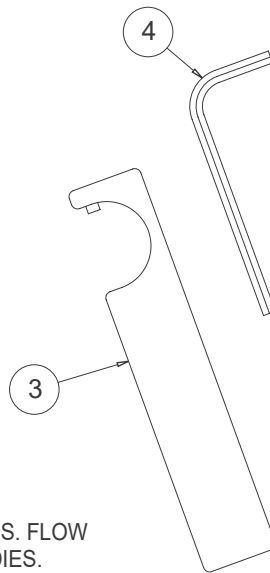
PENAL SHOWER HEAD FOR AIR-CONTROL VALVE



PENAL SHOWER HEAD FOR PENAL-TROL VALVE



-SSV PENAL SHOWER HEAD FOR AIR-CONTROL VALVE



-SSV PENAL SHOWER HEAD FOR PENAL-TROL VALVE

NOTE:

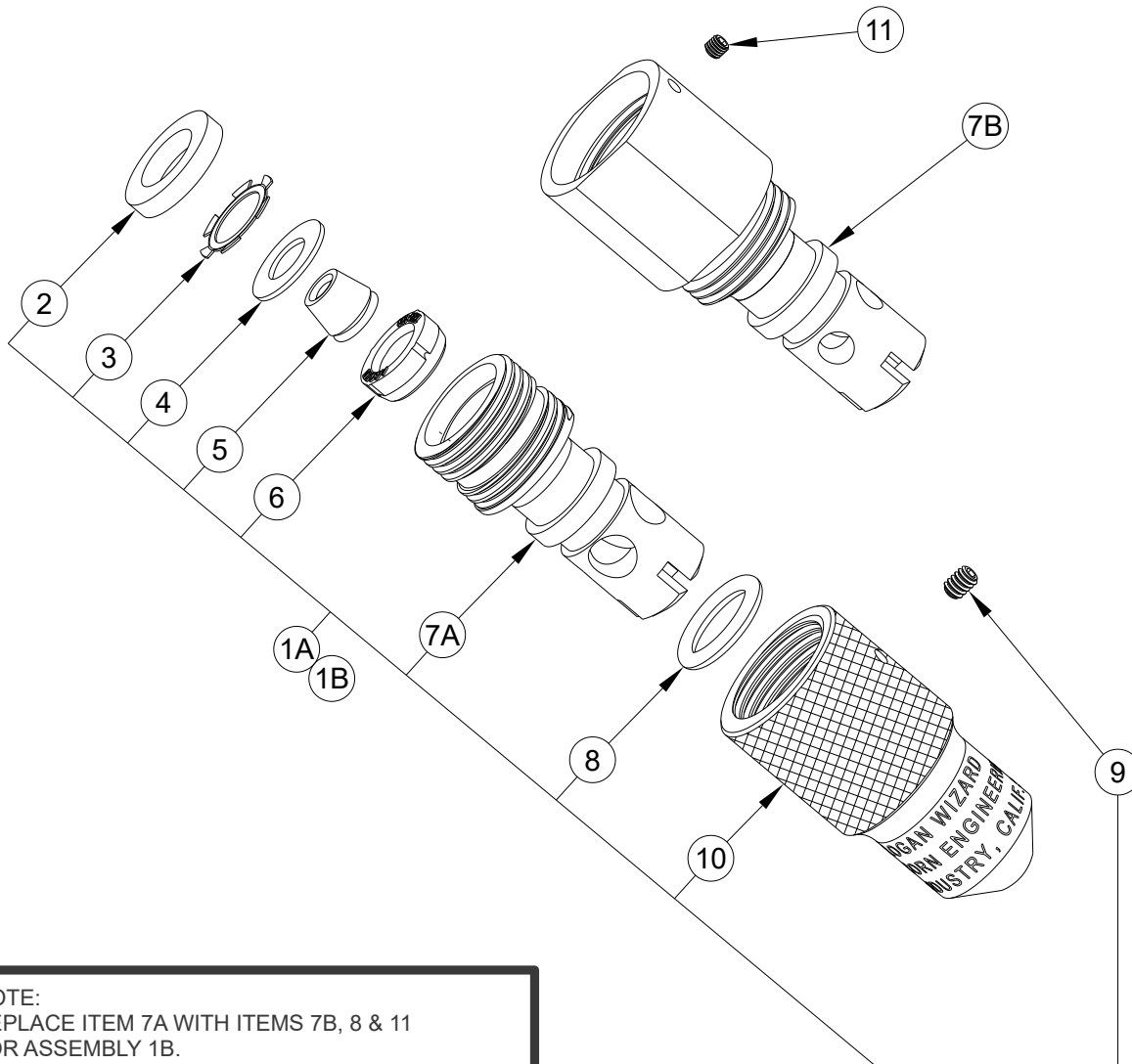
- 1- THESE SHOWER HEADS ARE USED WITH PENAL VALVES. FLOW CONTROLS ARE LOCATED IN APPLICABLE VALVE BODIES.
- 2- ADJUST SPRAY PATTERN BY ROTATING THE ADJUSTABLE INSERT WITH A 1/8" ALLEN WRENCH (ACCESS THROUGH THE SHOWER NOZZLE ORIFICE).
- 3- THESE HEADS USED ON MODEL 1730 AND 1741 SERIES.

1	1244-005-002	AIR-CONTROL SHOWER HEAD ASSEMBLY	10	1244-010-001	SHOWER HEAD ASSEMBLY -SSV
2	1244-010-002	AIR-CONTROL SHOWER HEAD ASSY -SSV	11	0816-002-000	#10-32 x 3/8" CONE POINT SET SCREW
3	0356-000-001	PENAL SHOWER HEAD WRENCH	12	1244-001-199	PENAL SHOWER HEAD
4	0298-004-000	1/8" ALLEN WRENCH	13	0421-019-000	GASKET
5	1244-001-001	PENAL-TROL SHOWER HEAD ASSEMBLY	14	1241-001-001	SHOWER NOZZLE ASSEMBLY
6	1244-002-001	PENAL-TROL SHOWER HEAD ASSY -SSV	15	1188-000-199	ADJUSTABLE INSERT
7	0126-504-000	1/4-20 x 3/8" PHIL PAN HEAD SCREW	16	1241-001-199	SHOWER NOZZLE
8	1895-002-000	1/4" NPT x 1/4" OD MALE CONNECTOR	17	1244-002-199	-SSV PENAL SHOWER HEAD
9	1244-005-001	SHOWER HEAD ASSEMBLY	18	1891-007-000	3/8" FLARE x 1/4" MALE CONNECTOR
ITEM	PART NUMBER	DESCRIPTION	ITEM	PART NUMBER	DESCRIPTION



SHOWER NOZZLE ASSEMBLY - RIGID HEAD

9970-101-004



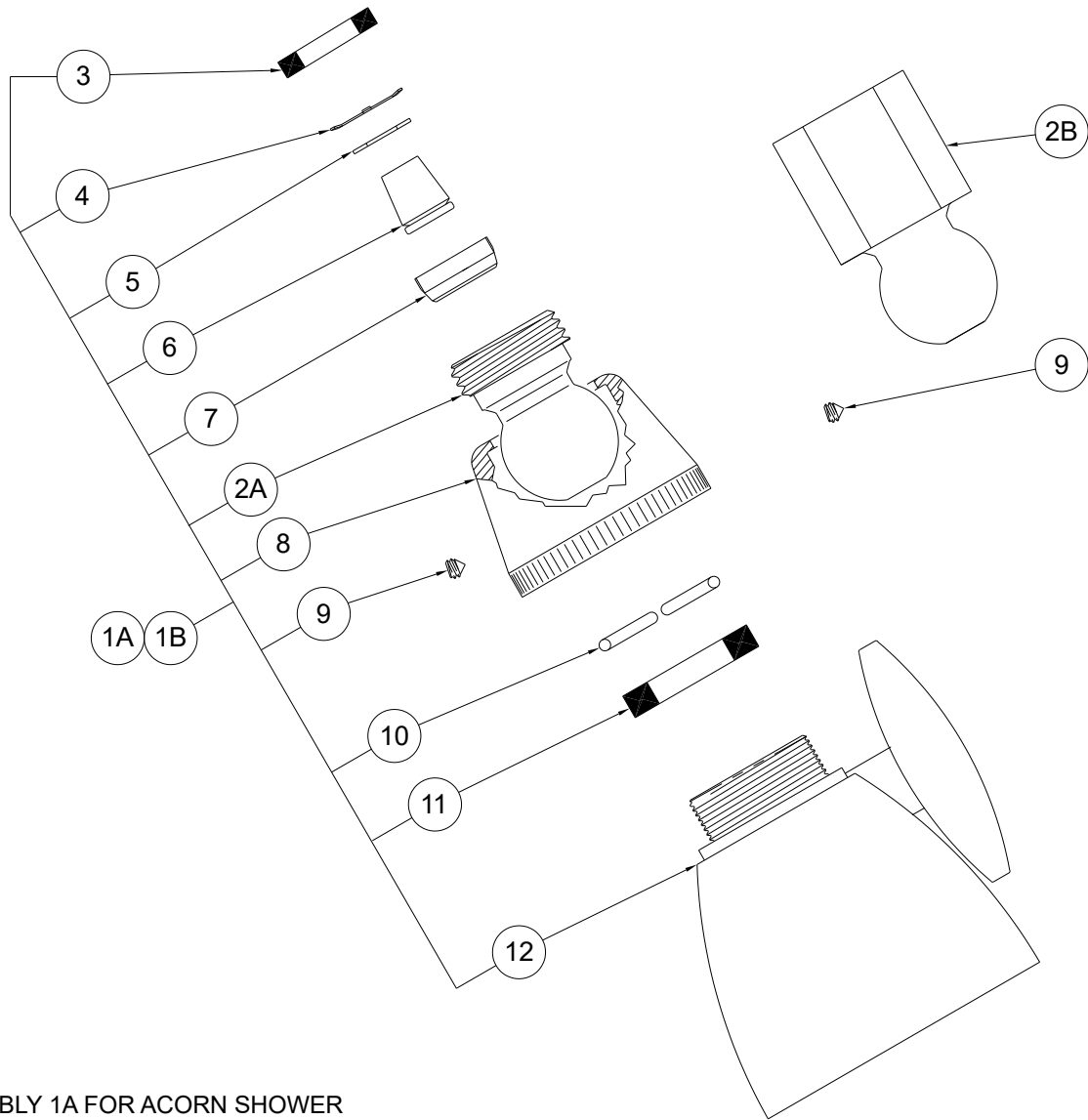
NOTE:
 REPLACE ITEM 7A WITH ITEMS 7B, 8 & 11 FOR ASSEMBLY 1B.
 USE ASSEMBLY 1A FOR ACORN SHOWER HEAD BRACKETS.
 USE ASSEMBLY 1B FOR BENT ARM APPLICATIONS.

1A	1192-010-001	SHOWER HEAD ASSEMBLY, MALE	7A	1192-100-199	CAP RECEIVER, MALE
1B	1190-010-001	SHOWER HEAD ASSEMBLY, FEMALE	7B	1190-100-199	CAP RECEIVER, FEMALE
2	0421-019-000	GASKET	8	0401-112-000	O-RING
3	0326-011-000	RETAINING GASKET	9	0181-011-000	#6-32 x 3/16" SET SCREW
4	0331-027-000	FLAT WASHER	10	1185-000-199	SHOWER CAP
5	0469-022-000	2.2 GPM FLO-CONTROL	11	0181-012-000	#6-32 x 7/64" SET SCREW
6	1295-100-000	FLO-CONTROL			
ITEM	PART NUMBER	DESCRIPTION	ITEM	PART NUMBER	DESCRIPTION



MULTI-STREAM

9970-050-004



NOTE:
 USE ASSEMBLY 1A FOR ACORN SHOWER
 HEAD BRACKETS.
 USE ASSEMBLY 1B FOR BENT ARM
 APPLICATIONS.
 REPLACE ITEM 2A WITH ITEM 2B AND ITEM 9.

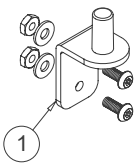
1A	1205-020-001	SHOWER HEAD ASSEMBLY	6	0469-022-000	2.2 GPM FLO-CONTROL
1B	1205-021-001	SHOWER HEAD BENT ARM ASSY	7	1295-100-000	LOWER FLO-CONTROL RETAINER
2A	1180-100-199	BALL JOINT BODY	8	1207-000-299	BALL JOINT NUT
2B	1174-100-199	BALL JOINT BODY, BENT ARM	9	0181-012-000	#6-32 x 1/8" SET SCREW
3	0421-019-000	WASHER PE	10	1172-000-199	RETAINING RING
4	0326-011-000	UPPER FLO-CONTROL RETAINER	11	0434-120-000	GRAPHITE INPREG WASHER
5	0331-027-000	.593" OD x .312" ID x .031" WASHER	12	1205-000-000	SHOWER HEAD
ITEM	PART NUMBER	DESCRIPTION	ITEM	PART NUMBER	DESCRIPTION



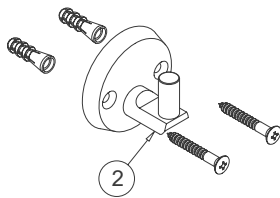
FLEX SHOWERHEAD MODELS SUFFIX OPTION -FX

9970-102-003

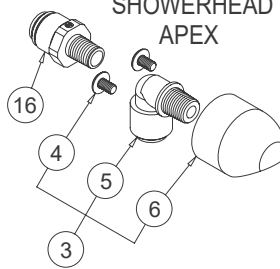
PANEL MOUNTING BRACKET



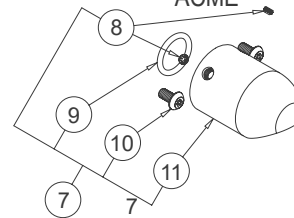
WALL MOUNTING BRACKET



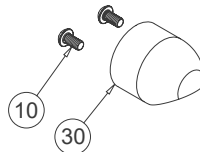
SHOWERHEAD APEX



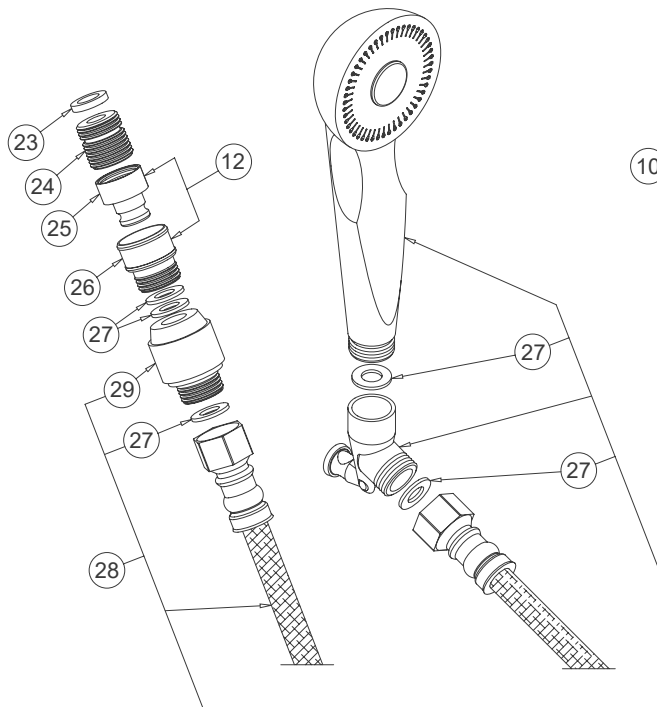
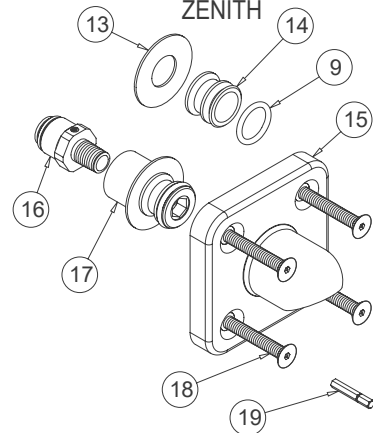
SHOWERHEAD ACME



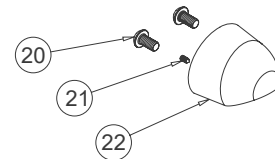
SHOWERHEAD CAPITAL



SHOWERHEAD ZENITH



SHOWERHEAD PENAL



1	1295-010-002	HAND SHOWER BRACKET- PANEL MT	16	1895-126-000	3/8" OD x 1/4" NPT PUSH-IN FITTING
2	1293-008-000	HAND SHOWER BRACKET- WALL MT	17	1131-005-001	1/4" NPT x O-RING INLET ADAPTER
3	1141-025-001	APEX SHOWER HEAD ASSEMBLY	18	0152-022-000	1/4"-20 x 1-1/4" ALLEN HD SCREW
4	0116-016-000	#10-32 x 3/8" PHIL TRUSS HD SCREW	19	0296-025-199	CENTER REJECT ALLEN DRIVER BIT
5	1895-707-000	3/8" OD x 1/4" NPT PUSH-IN ELBOW	20	0126-504-000	1/4"-20 x 3/8" PHIL PAN HD SCREW
6	1141-000-199	APEX SHOWER HEAD	21	0186-002-000	#10-32 AL CONE POINT SET SCREW
7	1140-005-001	ACME SHOWER HEAD ASSEMBLY	22	1244-001-199	PENAL SHOWER HEAD
8	0181-014-000	1/4"-28 x 3/16" ALLEN HD SET SCREW	23	0421-019-000	GASKET
9	0401-115-000	O-RING	24	1160-001-199	1/2" NPS INLET x 1/2" NPT OUTLET
10	0112-002-000	#10-32 x 1/2" AL BUTTON HD SCREW	25	1296-004-000	1/2" NPT QUICK DISCONNECT PLUG
11	1140-000-199	O-RING INLET SHOWER HEAD	26	1295-003-000	QUICK DISCONNECT SOCKET
12	1295-003-001	PLUG & SOCKET ASSEMBLY (-QD)	27	1293-002-000	GASKET
13	0331-011-000	RETAINING WASHER	28	1293-001-001	FLEX HAND SHOWER ASSEMBLY
14	1130-000-199	COPPER x O-RING INLET ADAPTER	29	1293-003-000	VACUUM BREAKER
15	1110-000-050	FLANGED SHOWER HD- REAR INLET	30	1141-000-299	CAPITAL SHOWER HEAD
ITEM	PART NUMBER	DESCRIPTION	ITEM	PART NUMBER	DESCRIPTION