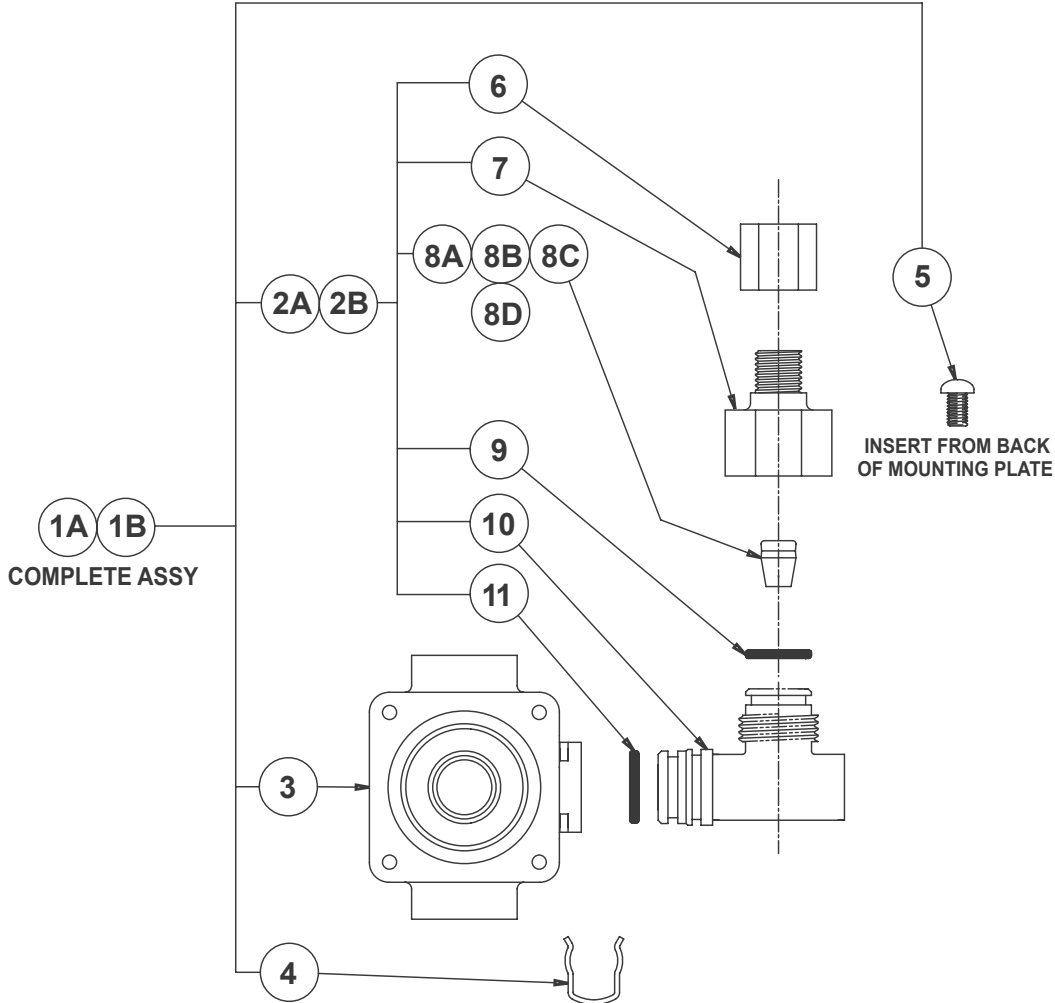




SINGLE TEMP AIR-CONTROL VALVE BODY ASSEMBLY (-3)

9955-006-003

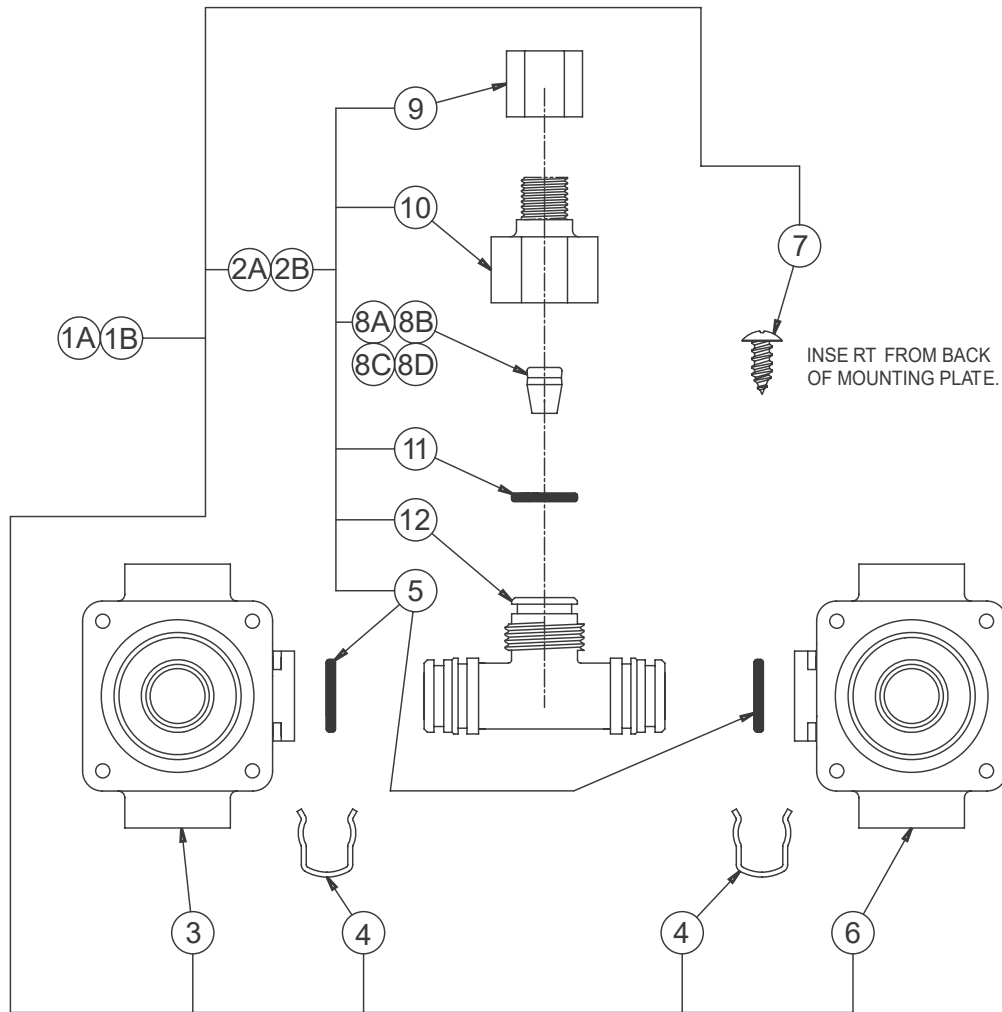


| | | |
|------------|-------------------|--|
| 1A | 2590-202-001 | S/T VALVE BODY .5 GPM -LAVY |
| 1B | 2590-203-001 | S/T VALVE BODY 2.5 GPM -SHOWER |
| 2A | 2570-045-001 | SINGLE TEMP TEE ASSY .5 GPM -LAVY |
| 2B | 2570-046-001 | SINGLE TEMP TEE ASSY 2.5 GPM -SHOWER |
| 3 | 2570-027-000 | LH VALVE BODY |
| 4 | 0326-100-000 | RETAINING CLIP |
| 5 | 0124-010-000 | #10-32 x 1/2" STN STL SCREW |
| 6 | 1895-451-000 | 1/4" FERRULE NUT |
| 7 | 2570-042-000 | FLOW CONTROL ADAPTER |
| 8A | 0469-005-000 | FLOW CONTROL .5 GPM -LAVY |
| 8B | 0469-025-000 | FLOW CONTROL 2.5 GPM -SHOWER |
| 8C | 0469-022-000 | FLOW CONTROL 2.2 GPM -SHOWER |
| 8D | 0469-007-000 | FLOW CONTROL .7 GPM -DRINKING FOUNTAIN |
| 9 | 0401-014-000 | O-RING |
| 10 | 2570-045-000 | SINGLE TEMP TEE BODY |
| 11 | 0401-015-000 | O-RING |
| ITE | ART NUMBER | DESCRIPTION |



HOT & COLD AIR-CONTROL VALVE BODY ASSEMBLY (-4)

9955-005-003



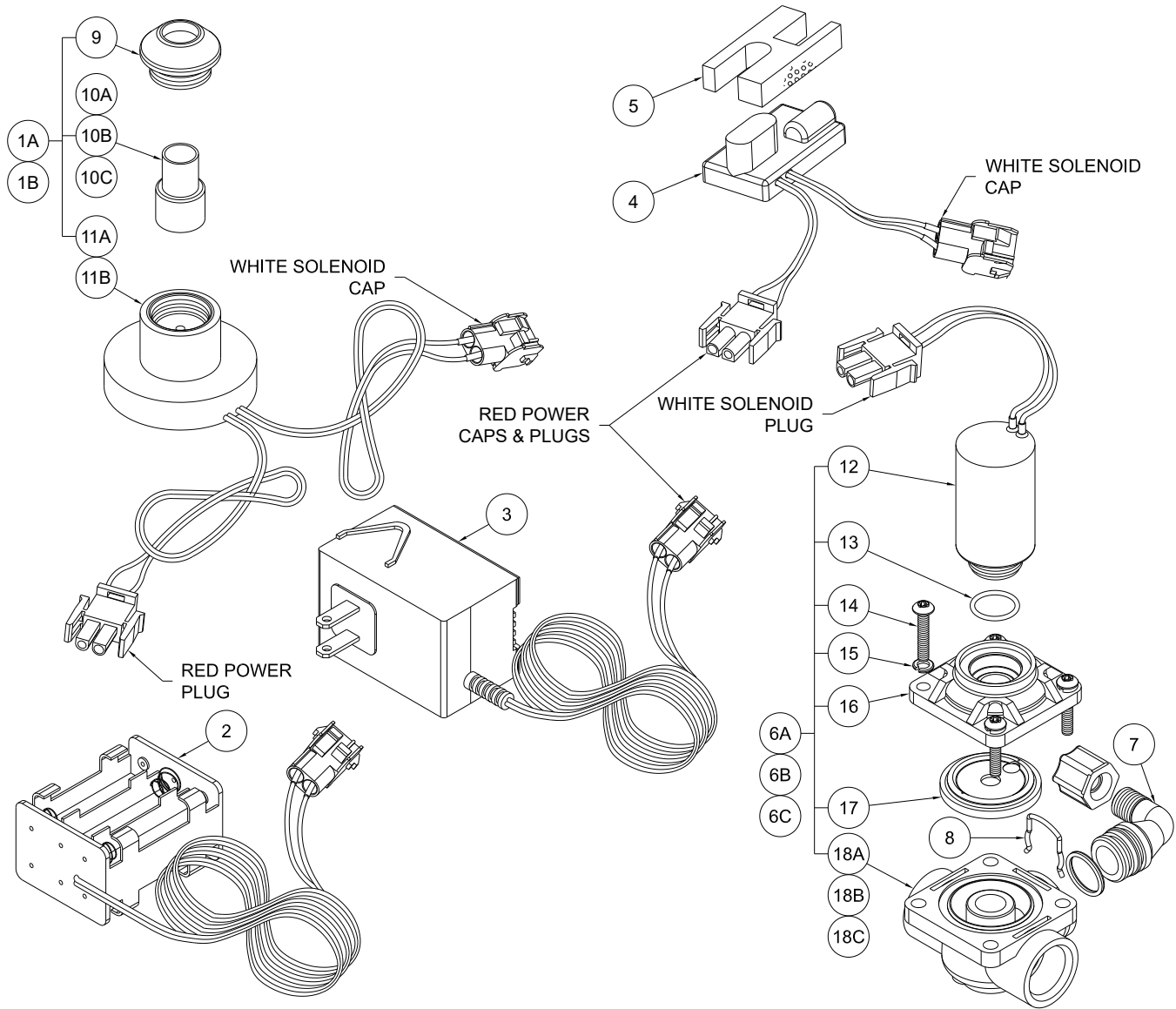
INSE RT FROM BACK
OF MOUNTING PLATE.

| | | | | | |
|------|--------------|--------------------------------------|------|--------------|------------------------------------|
| 1A | 2590-200-001 | H & C VALVE BODY, .5GPM - LAVY | 8A | 0469-005-000 | FLOW CONTROL .5GPM - LAVY |
| 1B | 2590-201-001 | H & C VALVE BODY, 2.5GPM - SHOWER | 8B | 0469-025-000 | FLOW CONTROL 2.5GPM - SHOWER |
| 2A | 2570-040-001 | H & C MIXING TEE ASSY, .5GPM - LAVY | 8C | 0469-022-000 | FLOW CONTROL 2.2GPM - SHOWER |
| 2B | 2570-043-001 | H & C MIXING TEE ASSY, 2.5GPM - SHWR | 8D | 0469-007-000 | FLOW CONTROL .7GPM - DRINKING FOUN |
| 3 | 2570-027-000 | LEFT HAND VALVE BODY | 9 | 1895-451-000 | 1/4" FERRULE NUT |
| 4 | 0326-100-000 | RETAINING CLIP | 10 | 2570-042-000 | FLOW CONTROL ADAPTER |
| 5 | 0401-015-000 | O-RING | 11 | 0401-014-000 | O-RING |
| 6 | 2570-026-000 | RIGHT HAND VALVE BODY | 12 | 2570-041-000 | MIXING TEE BODY |
| 7 | 0124-010-000 | #10-32 x 1/2" SS PHILLIPS HEAD SCREW | | | |
| ITEM | PART NUMBER | DESCRIPTION | ITEM | PART NUMBER | DESCRIPTION |



ELECTRONIC PUSHBUTTON INSTALL INSTRUCTIONS

9955-019-001

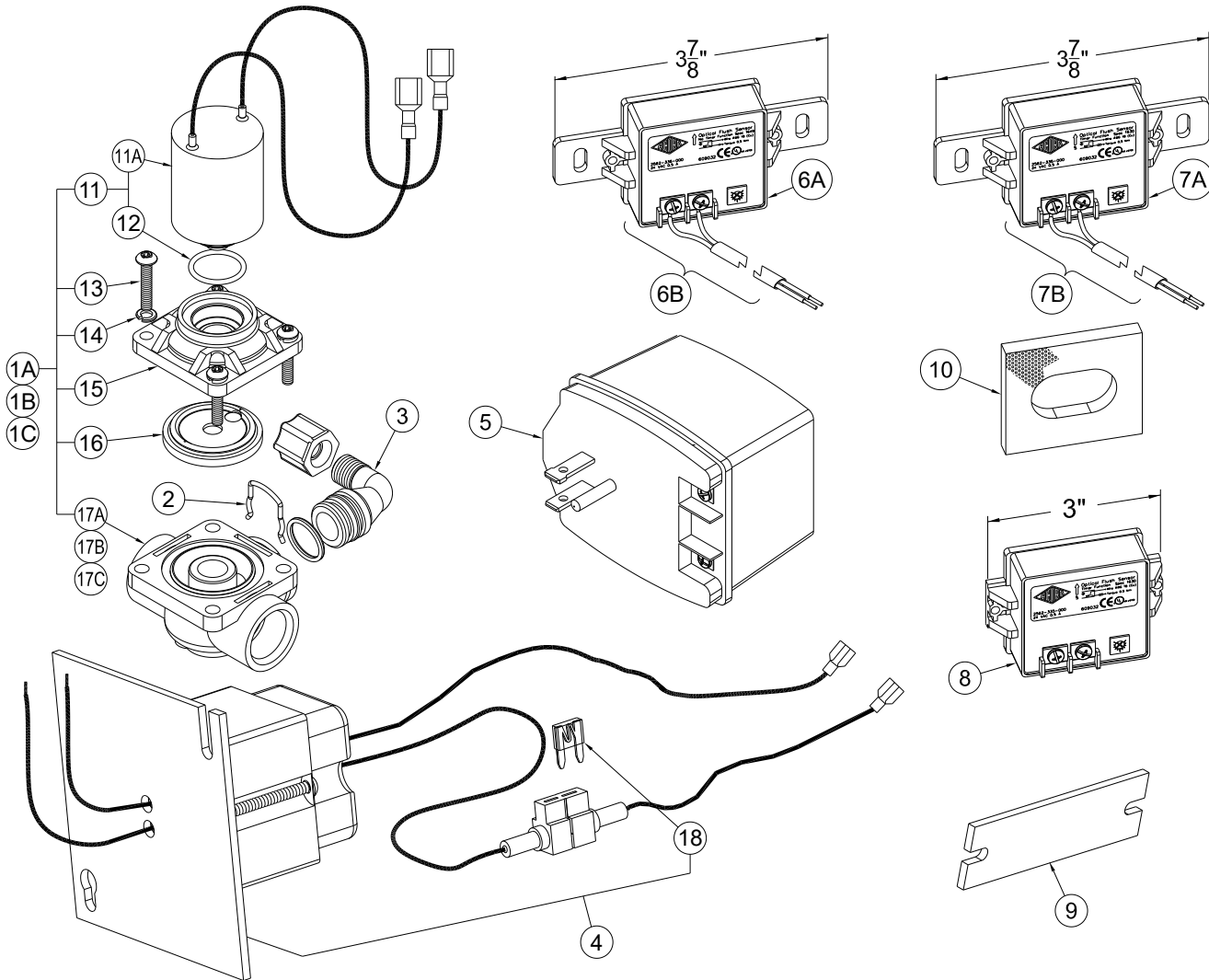


| | | | | | |
|------|--------------|----------------------------------|------|--------------|--------------------------------|
| 1A | 2566-370-001 | 15 SEC ELECT PUSHBUTTON ASSY | 10B | 2566-026-000 | PUSHBUTTON - "H" |
| 1B | 2566-373-001 | 60 SEC ELECT PUSHBUTTON ASSY | 10C | 2566-027-000 | PUSHBUTTON - "C" |
| 2 | 0710-357-001 | AA SIX PACK BATTERY BOX ASSY | 11A | 2566-370-002 | 15 SEC ELECT PUSHBUTTON w/CONN |
| 3 | 0711-410-001 | 9VDC PLUG-IN TRANSFORMER ASSY | 11B | 2566-373-002 | 60 SEC ELECT PUSHBUTTON w/CONN |
| 4 | 2562-373-001 | 9VDC ELECTRONIC EYE SENSOR ASSY | 12 | 2563-326-001 | 9VDC SOLENOID ASSEMBLY |
| 5 | 6212-101-199 | SENSOR EYE SPACER | 13 | 0401-015-000 | O-RING |
| 6A | 2570-132-001 | P VALVE ASSY w/9VDC SOLENOID -LH | 14 | 6502-043-000 | #8-32 x 1/2" LONG PHIL RD HEAD |
| 6B | 2570-131-001 | P VALVE ASSY w/9VDC SOLENOID -RH | 15 | 0331-003-000 | #8 LOCKWASHER |
| 6C | 2570-130-001 | P VALVE ASSY w/9VDC SOLENOID -MA | 16 | 2570-061-000 | PLASTIC SOLENOID BONNET |
| 7 | 2570-051-001 | 1/4" OD PLASTIC ELBOW ASSEMBLY | 17 | 2563-010-001 | WATER DIAPHRAGM ASSEMBLY |
| 8 | 0326-100-000 | RETAINING CLIP- PLASTIC | 18A | 2570-027-000 | PLASTIC VALVE BODY -LH |
| 9 | 2566-020-199 | PUSHBUTTON ESCUTCHEON | 18B | 2570-026-000 | PLASTIC VALVE BODY -RH |
| 10A | 2566-025-000 | PUSHBUTTON - BLANK | 18C | 2570-025-000 | PLASTIC VALVE BODY -MA |
| ITEM | PART NUMBER | DESCRIPTION | ITEM | PART NUMBER | DESCRIPTION |



SENSOR & SOLENOID VALVE ASSEMBLY

9955-015-002



NOTE: WHEN REPLACING THE SENSOR ON CIRCULAR SPRAYHEADS ENSURE TO REPLACE THE SENSOR FOAM GASKET AS WELL.

| | | | | | |
|------|--------------|-----------------------------------|------|--------------|---------------------------------|
| 1A | 2570-117-001 | P VALVE ASSY w/24VDC SOLENOID -LH | 10 | 2562-320-000 | SENSOR FOAM GASKET, SS WASH |
| 1B | 2570-116-001 | P VALVE ASSY w/24VDC SOLENOID -RH | 11 | 2563-305-002 | 24VDC SOLENOID ASSY w/ O-RING |
| 1C | 2570-115-001 | P VALVE ASSY w/24VDC SOLENOID -MA | 11A | 2563-305-001 | 24VDC SOLENOID ASSY LESS O-RING |
| 2 | 0326-100-000 | RETAINING CLIP- PLASTIC | 12 | 0401-117-000 | O-RING |
| 3 | 2570-051-001 | 1/4" OD PLASTIC ELBOW ASSEMBLY | 13 | 6502-043-000 | #8-32 x 1/2" LONG PHIL RD HEAD |
| 4 | 0710-700-001 | 120VAC/24VAC XFMR ON 4" SQ PLATE | 14 | 0331-003-000 | #8 SPLIT LOCKWASHER |
| 5 | 0710-725-000 | 120VAC/120VAC PLUG-IN TRANSFORMR | 15 | 2570-061-000 | PLASTIC SOLENOID BONNET |
| 6A | 2562-336-000 | 24VAC SENSOR, LESS TIMER | 16 | 2563-010-001 | WATER DIAPHRAGM ASSEMBLY |
| 6B | 2562-336-001 | 24VAC SENSOR w/ WIRE, LESS TIMER | 17A | 2570-027-000 | PLASTIC VALVE BODY -LH |
| 7A | 2562-335-000 | 24VAC SENSOR, TIMER | 17B | 2570-026-000 | PLASTIC VALVE BODY -RH |
| 7B | 2652-331-001 | 24VAC SENSOR w/ WIRE, TIMER | 17C | 2570-025-000 | PLASTIC VALVE BODY -MA |
| 8 | 6210-059-199 | 24VAC SENSOR, TIMER 3" | 18 | 0713-060-000 | 3 AMP .32 VOLT MINI FUSE |
| 9 | 2562-334-000 | 24VAC SENSOR LENS | | | |
| ITEM | PART NUMBER | DESCRIPTION | ITEM | PART NUMBER | DESCRIPTION |