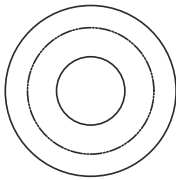




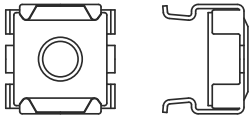
FASTENERS



COUNTERSINK WASHER

0336-004-000 #10-32 SIZE

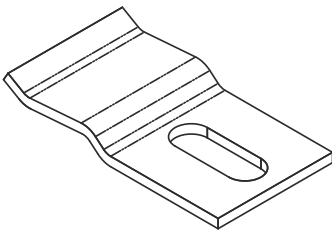
0336-005-000 1/4" SIZE



STAINLESS STEEL TINNEMAN NUT

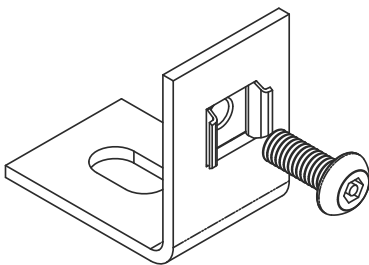
0316-018-000 #10-32 SIZE

0316-008-000 1/4-20 SIZE



S-CLIP MOUNTING BRACKET

3060-000-199



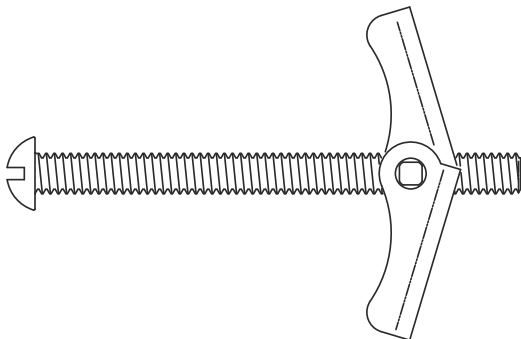
MOUNTING CLIP ASSEMBLY

3066-000-003 ENTIRE ASSEMBLY

3066-000-199 L-CLIP MOUNTING BRACKET

0336-004-000 #10-32 COUNTERSUNK WASHER

0112-002-000 #10-32 x 1/2" HEX BUTTON HD SCREW



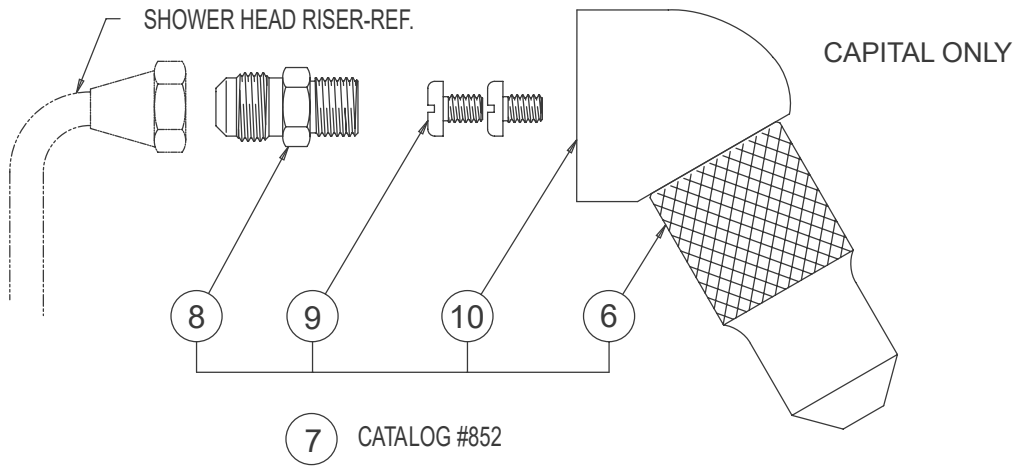
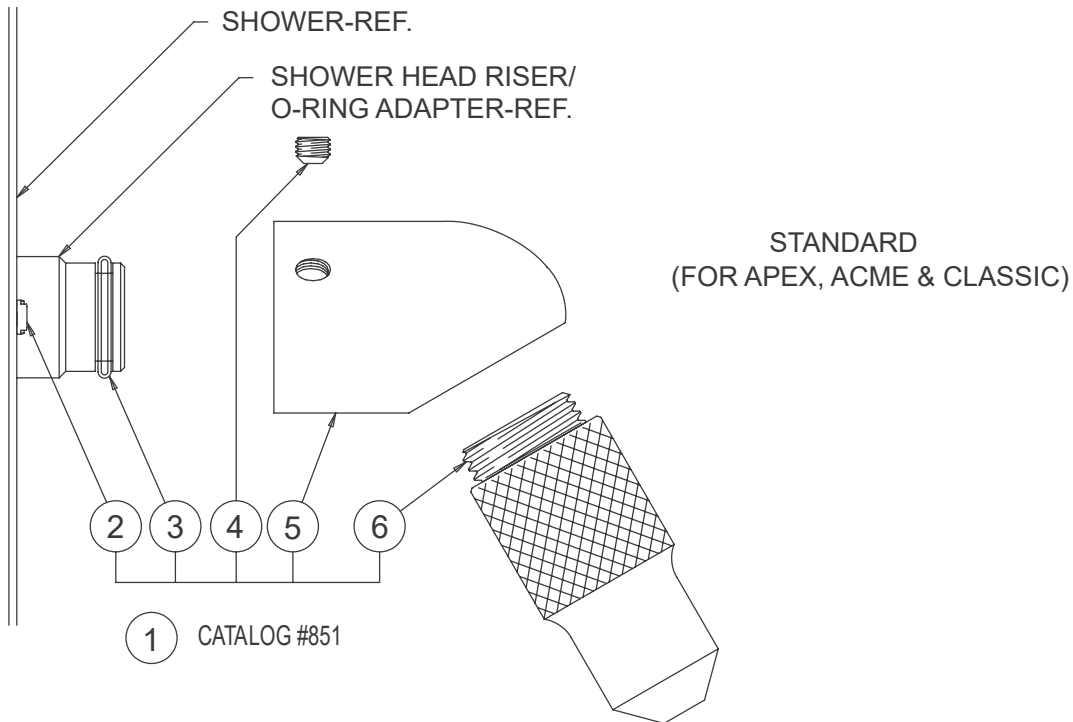
TOGGLE ANCHOR

0377-005-000 1/4" x 3" SIZE



STANDARD SHOWER HEAD MODEL #851 & #852

9970-120-003



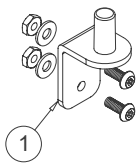
1	1140-000-001	#851 SHOWER HEAD ASSY -STD	6	1192-010-001	SHOWER NOZZLE ASSEMBLY
2	0112-002-000	#10-32 x 1/2" UNF CTR REJEJECT	7	1141-010-001	#852 SHWR HD ASSY -CAPITAL
3	0401-115-000	O-RING	8	1891-007-000	3/8" TUBE x 1/2" NPT CONN FLARE
4	0181-014-000	1/4"-28 x 3/16" SET SCREW	9	0112-002-000	#10-32 x 1/2" BUTTON HD MS
5	1140-000-199	SHOWER HEAD BRACKET -STD	10	1141-000-199	SHOWER BRACKET -CAPITAL
ITEM	PART NUMBER	DESCRIPTION	ITEM	PART NUMBER	DESCRIPTION



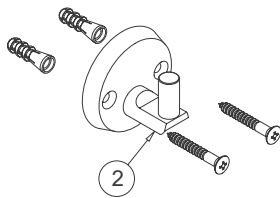
FLEX SHOWERHEAD MODELS SUFFIX OPTION -FX

9970-102-003

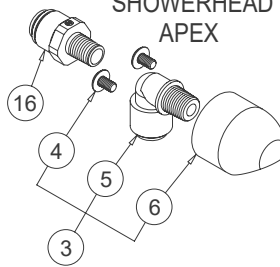
PANEL MOUNTING BRACKET



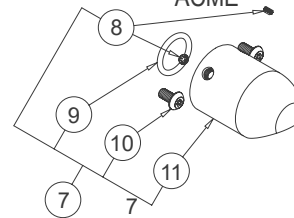
WALL MOUNTING BRACKET



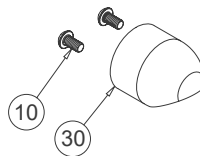
SHOWERHEAD APEX



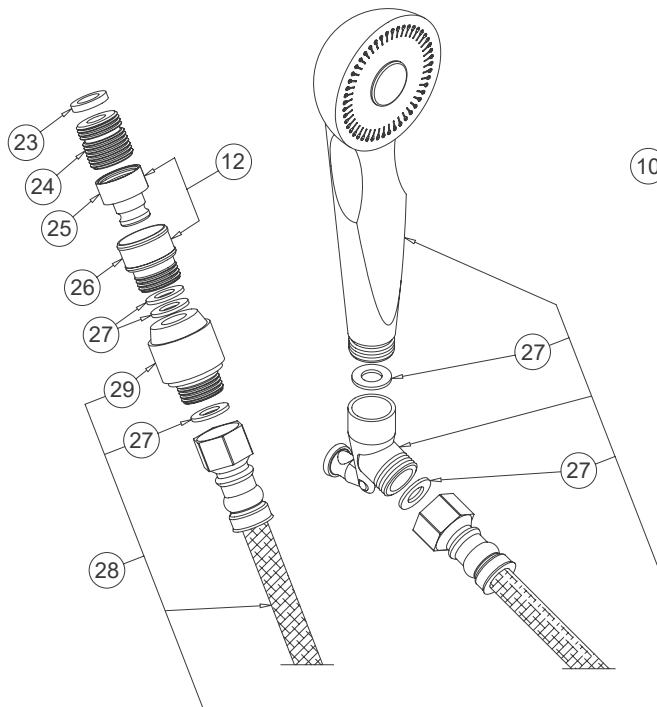
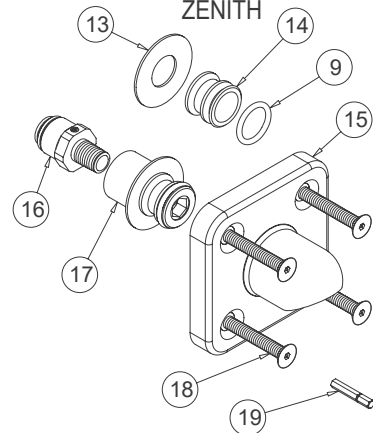
SHOWERHEAD ACME



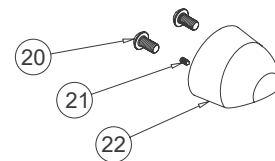
SHOWERHEAD CAPITAL



SHOWERHEAD ZENITH



SHOWERHEAD PENAL



1	1295-010-002	HAND SHOWER BRACKET- PANEL MT	16	1895-126-000	3/8" OD x 1/4" NPT PUSH-IN FITTING
2	1293-008-000	HAND SHOWER BRACKET- WALL MT	17	1131-005-001	1/4" NPT x O-RING INLET ADAPTER
3	1141-025-001	APEX SHOWER HEAD ASSEMBLY	18	0152-022-000	1/4"-20 x 1-1/4" ALLEN HD SCREW
4	0116-016-000	#10-32 x 3/8" PHIL TRUSS HD SCREW	19	0296-025-199	CENTER REJECT ALLEN DRIVER BIT
5	1895-707-000	3/8" OD x 1/4" NPT PUSH-IN ELBOW	20	0126-504-000	1/4"-20 x 3/8" PHIL PAN HD SCREW
6	1141-000-199	APEX SHOWER HEAD	21	0186-002-000	#10-32 AL CONE POINT SET SCREW
7	1140-005-001	ACME SHOWER HEAD ASSEMBLY	22	1244-001-199	PENAL SHOWER HEAD
8	0181-014-000	1/4"-28 x 3/16" ALLEN HD SET SCREW	23	0421-019-000	GASKET
9	0401-115-000	O-RING	24	1160-001-199	1/2" NPS INLET x 1/2" NPT OUTLET
10	0112-002-000	#10-32 x 1/2" AL BUTTON HD SCREW	25	1296-004-000	1/2" NPT QUICK DISCONNECT PLUG
11	1140-000-199	O-RING INLET SHOWER HEAD	26	1295-003-000	QUICK DISCONNECT SOCKET
12	1295-003-001	PLUG & SOCKET ASSEMBLY (-QD)	27	1293-002-000	GASKET
13	0331-011-000	RETAINING WASHER	28	1293-001-001	FLEX HAND SHOWER ASSEMBLY
14	1130-000-199	COPPER x O-RING INLET ADAPTER	29	1293-003-000	VACUUM BREAKER
15	1110-000-050	FLANGED SHOWER HD- REAR INLET	30	1141-000-299	CAPITAL SHOWER HEAD
ITEM	PART NUMBER	DESCRIPTION	ITEM	PART NUMBER	DESCRIPTION