

Repair Parts

E80-A11A-11ABCP

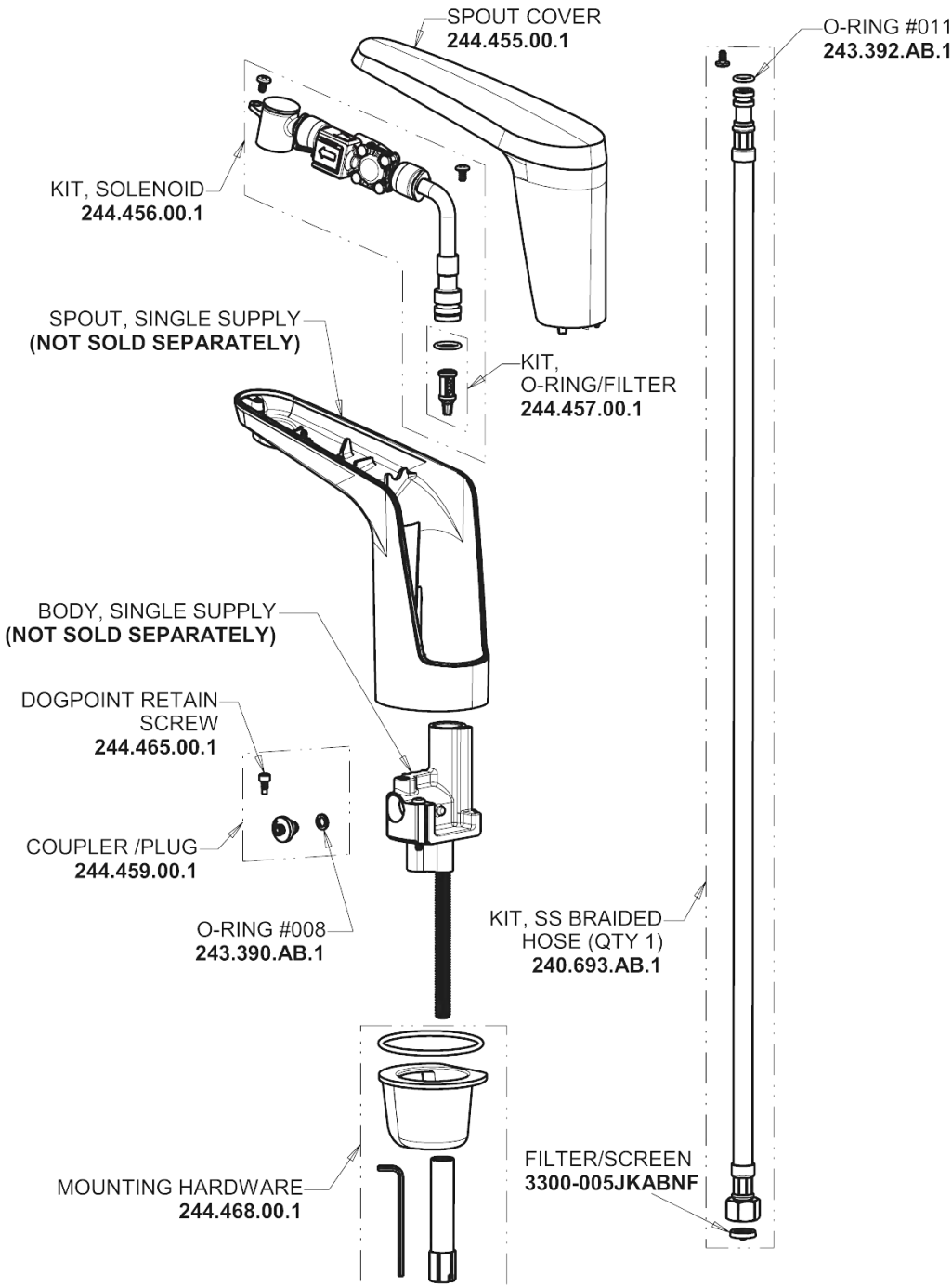
E-Tronic 80 Sink Faucet with Dual Beam Infrared Sensor

CHICAGO FAUCETS®

Geberit Group

E-Tronic 80 Single Supply Base

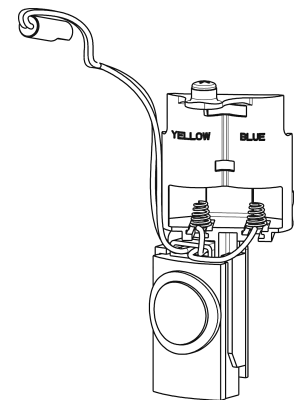
Base Parts:



0.5 GPM (1.9 L/min) Vandal Proof
Pressure Compensating Econo-Flo
Non-Aerating Spray Outlet
243.145.AB.1



Electronic Module
244.458.00.1



CR-P2 6V Lithium Battery
242.560.00.1



For Technical Assistance:

Phone: 800-TEC-TRUE (832-8783)

Email: techsupport.us@chicagofaucets.com

2100 South Clearwater Drive

Des Plaines, IL 60018

Phone: 847-803-5000

chicagofaucets.com