

**CHICAGO
FAUCETS** 

a Geberit company

2100 South Clearwater Drive
Des Plaines, IL 60018
Phone: 847-803-5000
Fax: 847-803-5454
www.chicagofaucets.com

FOR TECHNICAL ASSISTANCE
1-800-TEC-TRUE (1-800-832-8783)

REPAIR PARTS

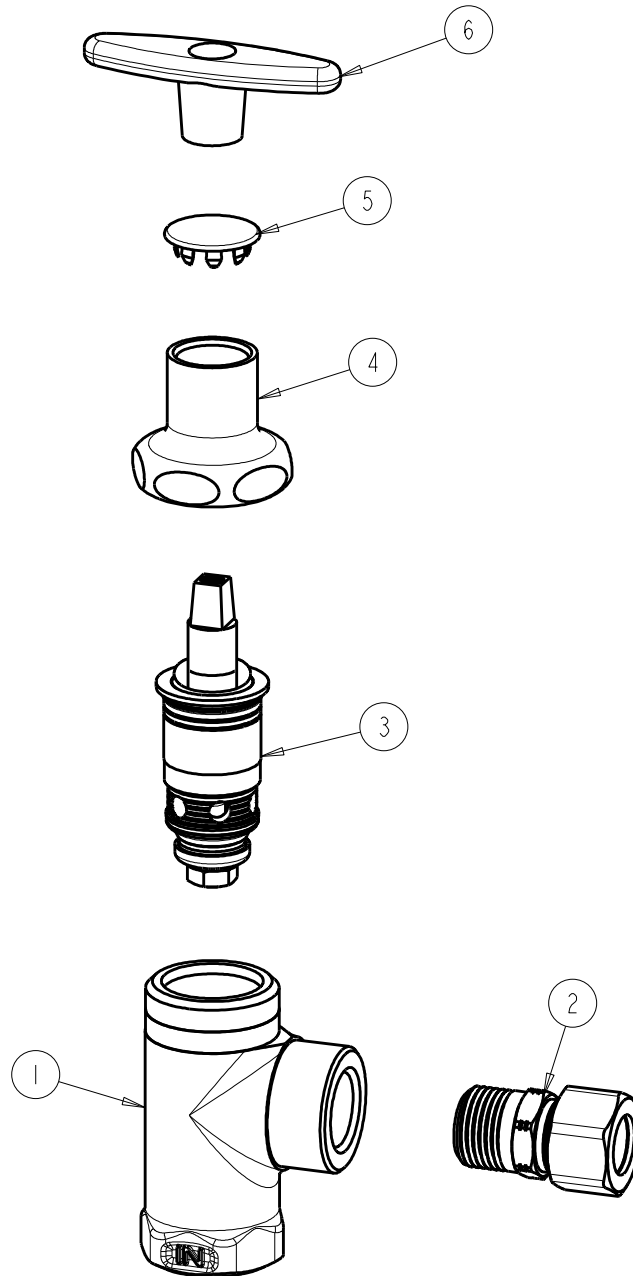
BY: SID DATE: 10-21-11
CHK: *[Signature]* REV:

FITTING NO.

995-ABCP

SUBMITTED MODEL NO.

ITEM NO.



| ITEM | PART NO. | DESCRIPTION |
|------|------------------|----------------------------------|
| 1 | — | VALVE BODY (NOT SOLD SEPARATELY) |
| 2 | 1022-006KJKABRCF | COMP. FITTING 1/2 TUBE X 3/8 NPT |
| 3 | 217-XTLHJKABNF | CARTRIDGE, SLO-COMPRESSION |
| 4 | 1-246JKCP | NUT, CAP LOOSE KEY 1-1/8-18 UNEF |
| 5 | 1-144JKCP | BUTTON |
| 6 | 293-006JKRCF | TEE HANDLE (INCLUDES SCREW) |