

Repair Parts

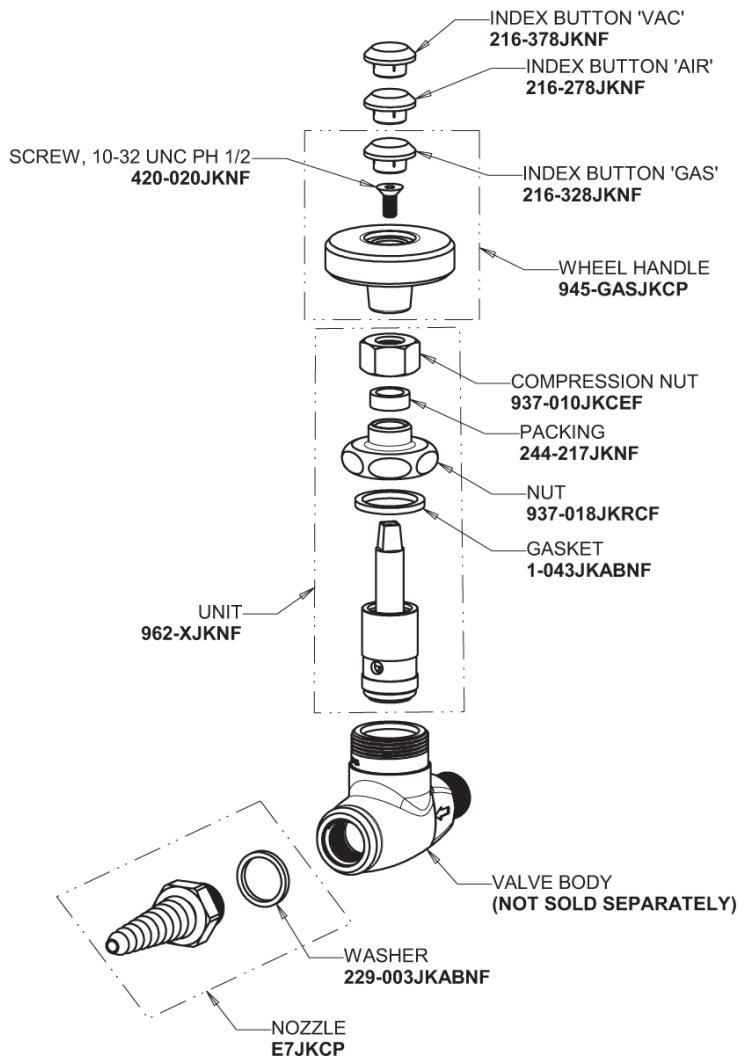
986-937WHAGVCP

Wall Flange with Needle Valve

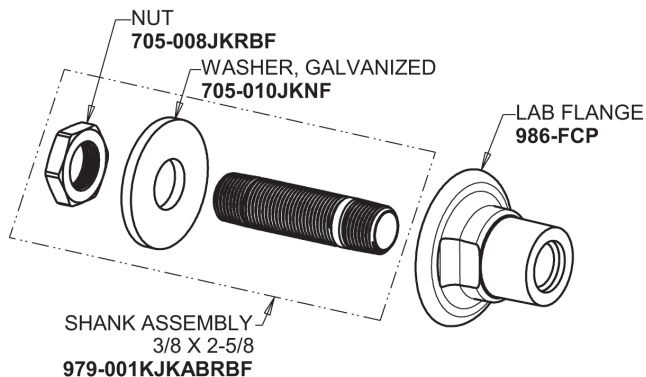
CHICAGO FAUCETS®

Geberit Group

Straight laboratory needle valve
937-WHAGVCP



Single-service Wall Flange
986-CP



For Technical Assistance:

Phone: 800-TEC-TRUE (832-8783)

Email: techsupport.us@chicagofaucets.com

2100 South Clearwater Drive

Des Plaines, IL 60018

Phone: 847-803-5000

chicagofaucets.com