

CHICAGO FAUCETS 

a Geberit company

2100 South Clearwater Drive
Des Plaines, IL 60018
Phone: 847-803-5000
Fax: 847-803-5454
www.chicagofaucets.com

REPAIR PARTS

BY: JAR DATE: 09-11-09

CHK:  REV:

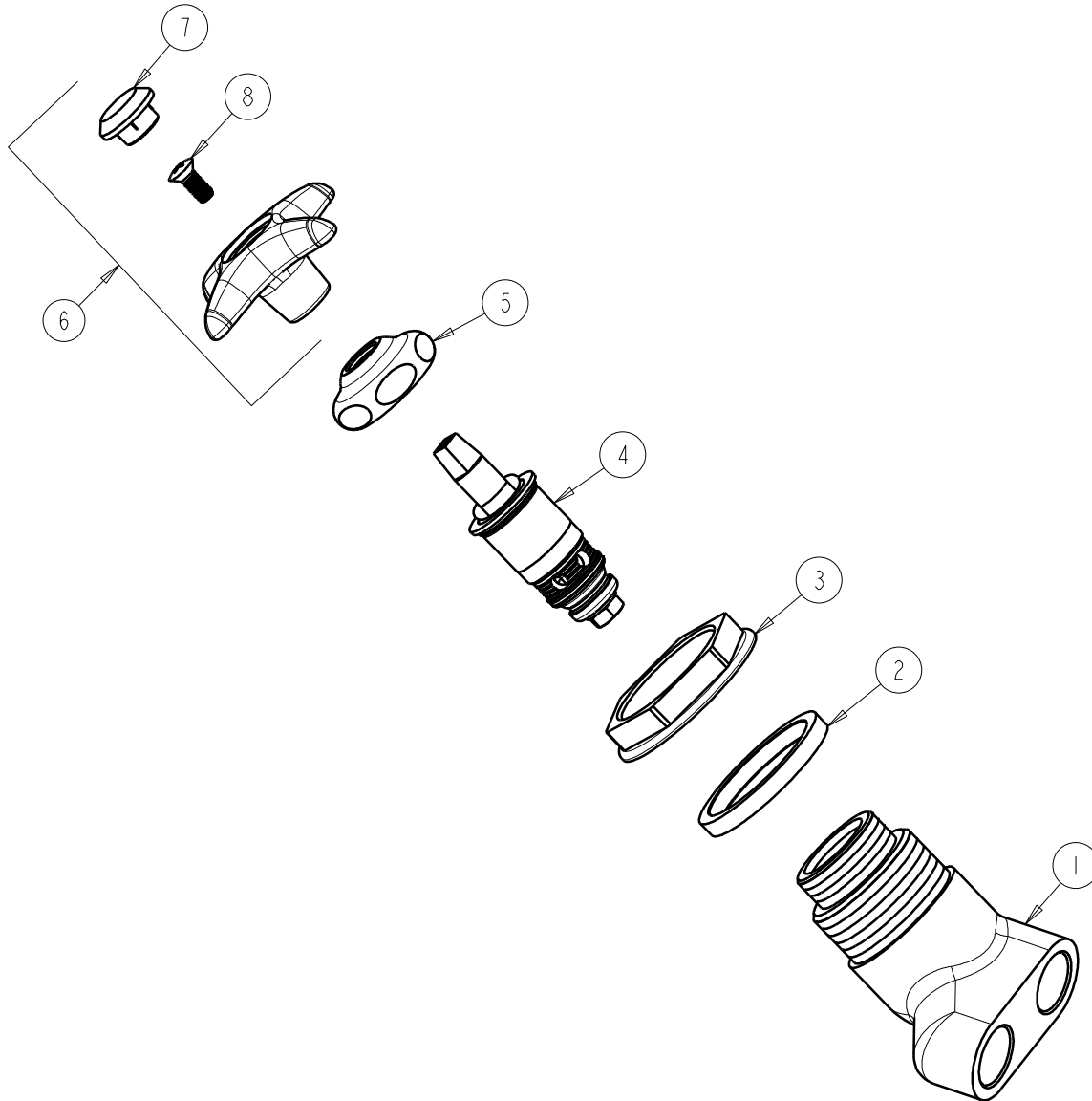
FITTING NO.

914-SAM

SUBMITTED MODEL NO.

ITEM NO.

FOR TECHNICAL ASSISTANCE
1-800-TEC-TRUE (1-800-832-8783)



ITEM	PART NO.	DESCRIPTION
1	---	ANGLE VALVE NOT SOLD SEPARATELY
2	---	SHOULDER WASHER
3	913-002JKSAM	HOLD DOWN NUT
4	217-XTLHJKNF	CARTRIDGE, SLO-COMPRESSION
5	1-214JKSAM	CAP
6	204-CWJKSAM	METAL CROSS HANDLE (CW)
7	216-178JKNF	BUTTON 'CW'
8	420-010JKRCF	SCREW, 10-32 UNC PH 1/2