

CHICAGO FAUCETS
a Geberit company

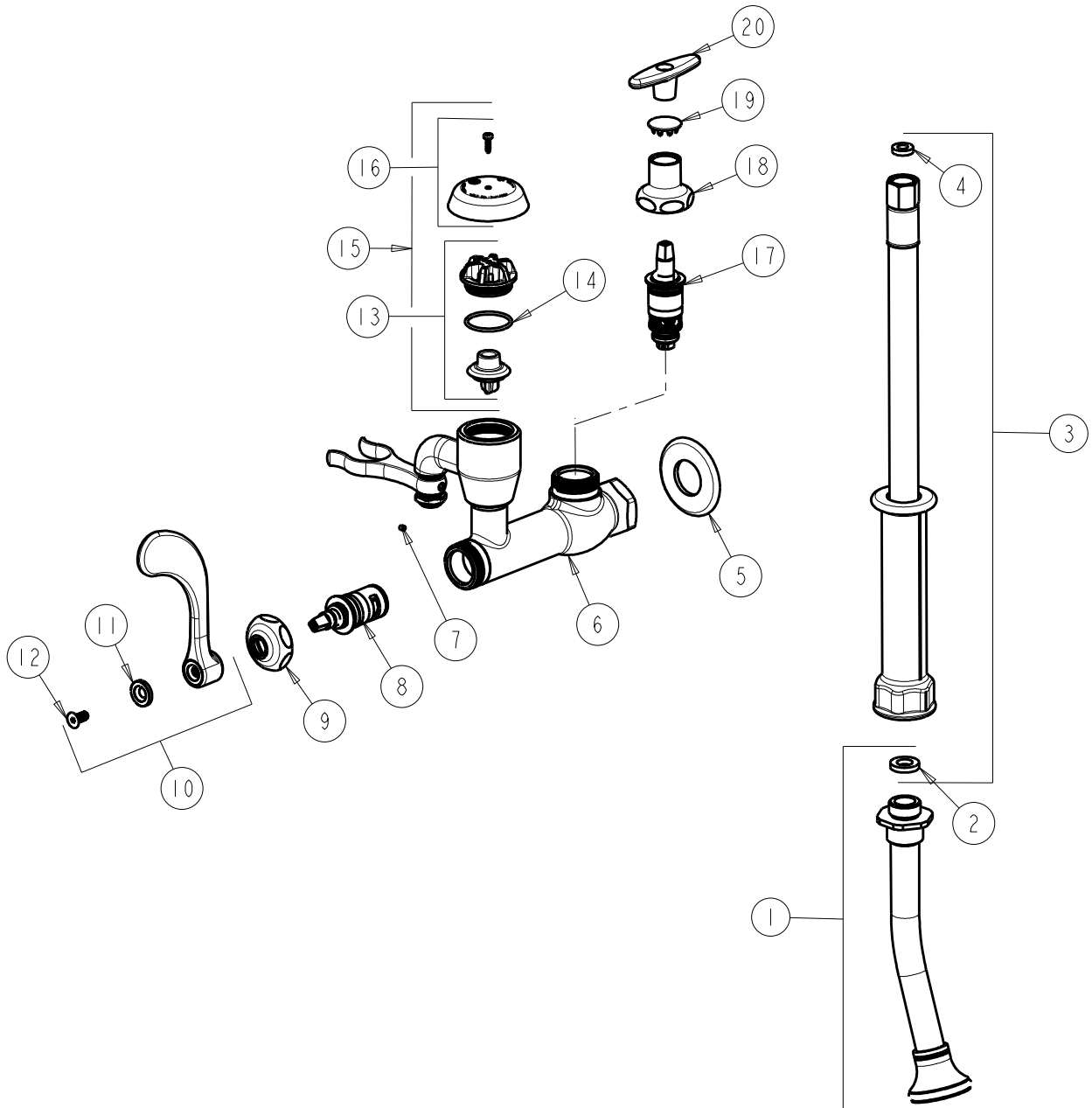
2100 South Clearwater Drive
Des Plaines, IL 60018
Phone: 847-803-5000
Fax: 847-803-5454
www.chicagofaucets.com

REPAIR PARTS

BY: SID DATE: 05-21-12
CHK: *QR* REV: 10-23-17

FITTING NO.
809-317XKCP
SUBMITTED MODEL NO.

FOR TECHNICAL ASSISTANCE
1-800-TEC-TRUE (1-800-832-8783)



ITEM	PART NO.	DESCRIPTION	ITEM	PART NO.	DESCRIPTION
1	777-019JKCP	SPRAY, ANGLED NOZZLE W/ WASHER	11	633-123JKNF	INDEX BUTTON (BLUE)
2	919-243JKABNF	GASKET, .685 X .375 X .125	12	420-020JKNF	SCREW, 1/8 FLAT HEX HEAD X 1/2
3	739-053JKABNF	HOSE, WHITE VINYL 53" W/ WASHERS	13	892-302JKABNF	VACUUM BREAKER REPAIR KIT
4	739-051JKABNF	GASKET, 1/2 X 1/4 X 1/8	14	80-007JKABNF	O RING 0.989 X .070
5	417-019JKCP	FLANGE, 1.94 X .88 X .11	15	892-402JKABNF	KIT, VACUUM BREAKER ASSEMBLY
6	-----	BODY (NOT SOLD SEPARATELY)	16	892-254JKCP	VACUUM BREAKER COVER w/ SCREW
7	777-013JKNF	SCREW, SET 6-32 X 1/8	17	217-XTLHJKABNF	CARTRIDGE, SLO-COMPRESSION (LH)
8	1-099XKJKABNF	RH CERAMIC CARTRIDGE 1/4	18	1-246JKCP	NUT, CAP LOOSE KEY 1-1/8-18 UNEF
9	1-214JKCP	CAP	19	1-144JKCP	BUTTON
10	317-COLDJKCP	WRISTBLADE HANDLE	20	293-006JKRCF	TEE HANDLE (INCLUDES SCREW)