

# PARTS LIST

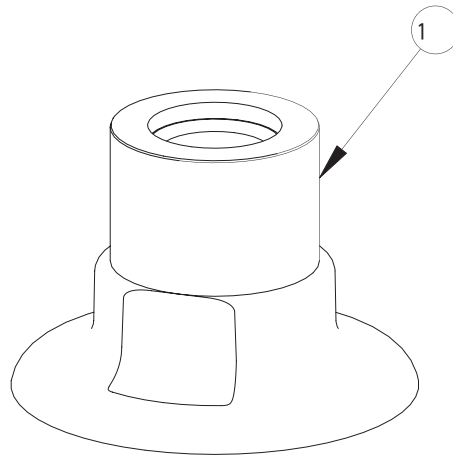
BY: SID  
CHK'D:



FINISH:  
DATE:

AS SPECIFIED  
11-01-01

986-F



ITEM NO.	PART NO.	DESCRIPTION
1	986-F	LAB FLANGE