

CHICAGO FAUCETS
a Geberit company

2100 South Clearwater Drive
Des Plaines, IL 60018
Phone: 847-803-5000
Fax: 847-803-5454
www.chicagofaucets.com

REPAIR PARTS

FITTING NO.

834-EPSLOABCP

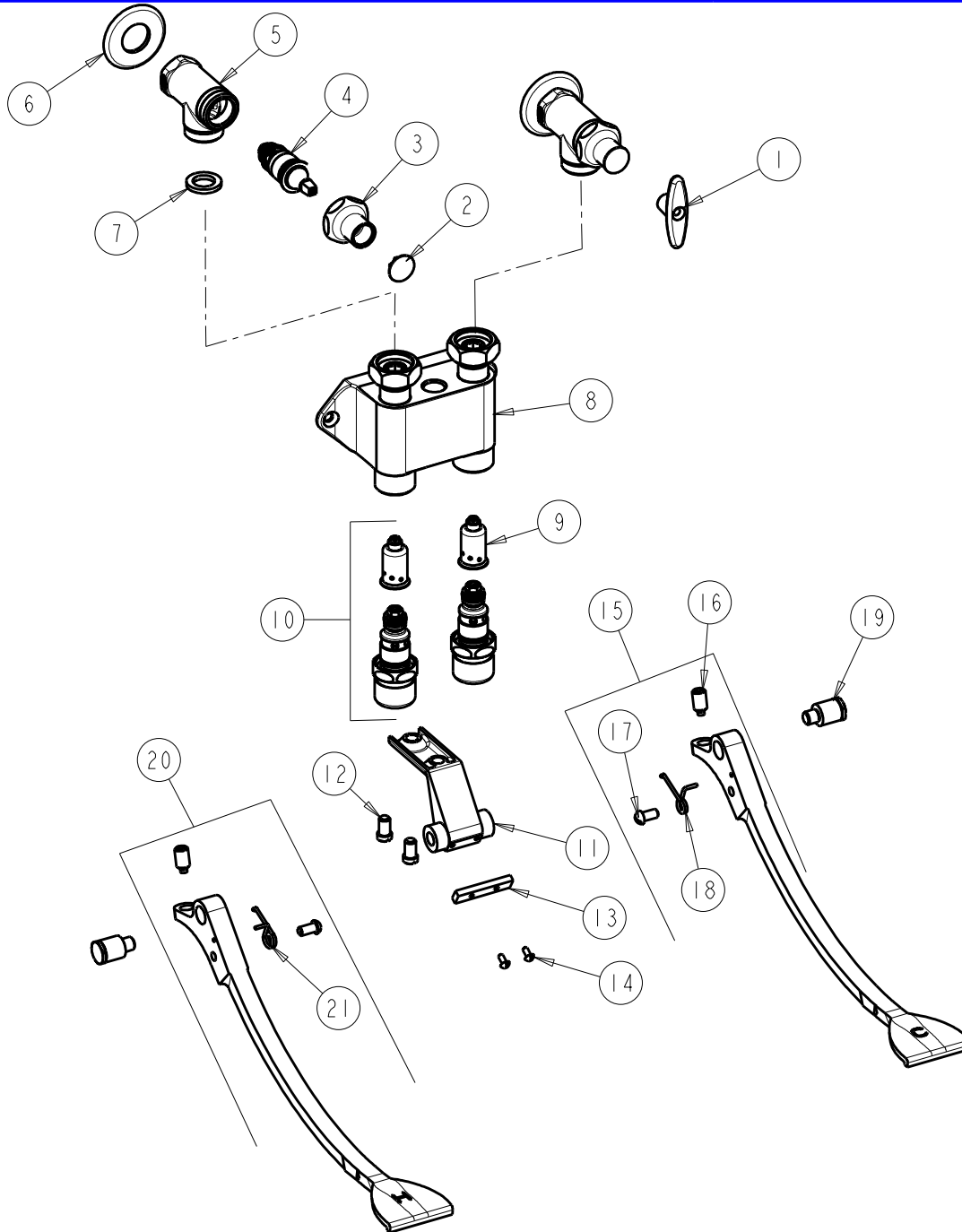
SUBMITTED MODEL NO.

ITEM NO.

FOR TECHNICAL ASSISTANCE
1-800-TEC-TRUE (1-800-832-8783)

BY: JAR DATE: 09-26-11

CHK: *[Signature]* REV:



ITEM	PART NO.	DESCRIPTION	ITEM	PART NO.	DESCRIPTION
1	293-006JKRCF	TEE HANDLE & SCREW	12	625-006JKNF	SCREW, PAN HEAD 5/16-18 UNC
2	1-144JKCP	BUTTON	13	834-012JKNF	PEDAL STOP
3	1-246JKCP	NUT, CAP LOOSE KEY 1-1/8-18 UNEF	14	76-008JKNF	SCREW, ROUND HEAD 6-32
4	217-XTLHJKABNF	CARTRIDGE, SLO-COMPRESSION	15	834-107KJKNF	PEDAL ASSEMBLY (COLD)
5	---	VALVE BODY (NOT SOLD SEPERATELY)	16	745-025JKNF	SCREW, PEDAL 3/8-24 UNF
6	417-019JKCP	FLANGE, 1.94 X .88 X .11	17	173-032JKNF	SCREW, ROUND HEAD 1/4-20 X 1/2
7	1-011JKNF	WASHER, .97 X .62 X .12	18	834-011JKNF	SPRING, RH PEDAL
8	---	VALVE BODY (NOT SOLD SEPERATELY)	19	625-061JKRCF	BOLT, SHOULDER 3/8-24 UNF X 5/8 HEX
9	333-073KJKNF	DASHPOT, SLOW	20	834-007KJKNF	PEDAL ASSEMBLY (HOT)
10	625-XSLOJKABNF	FOR PARTS SEE 625-XSLOJKABNF	21	834-010JKNF	SPRING, LH PEDAL
11	834-013JKCP	PEDAL BRACKET			