



a Geberit company

2100 South Clearwater Drive  
Des Plaines, IL 60018  
Phone: 847-803-5000  
Fax: 847-803-5454  
www.chicagofaucets.com

**FOR TECHNICAL ASSISTANCE**  
1-800-TEC-TRUE (1-800-832-8783)

# REPAIR PARTS

BY: JAR DATE: 10-31-08

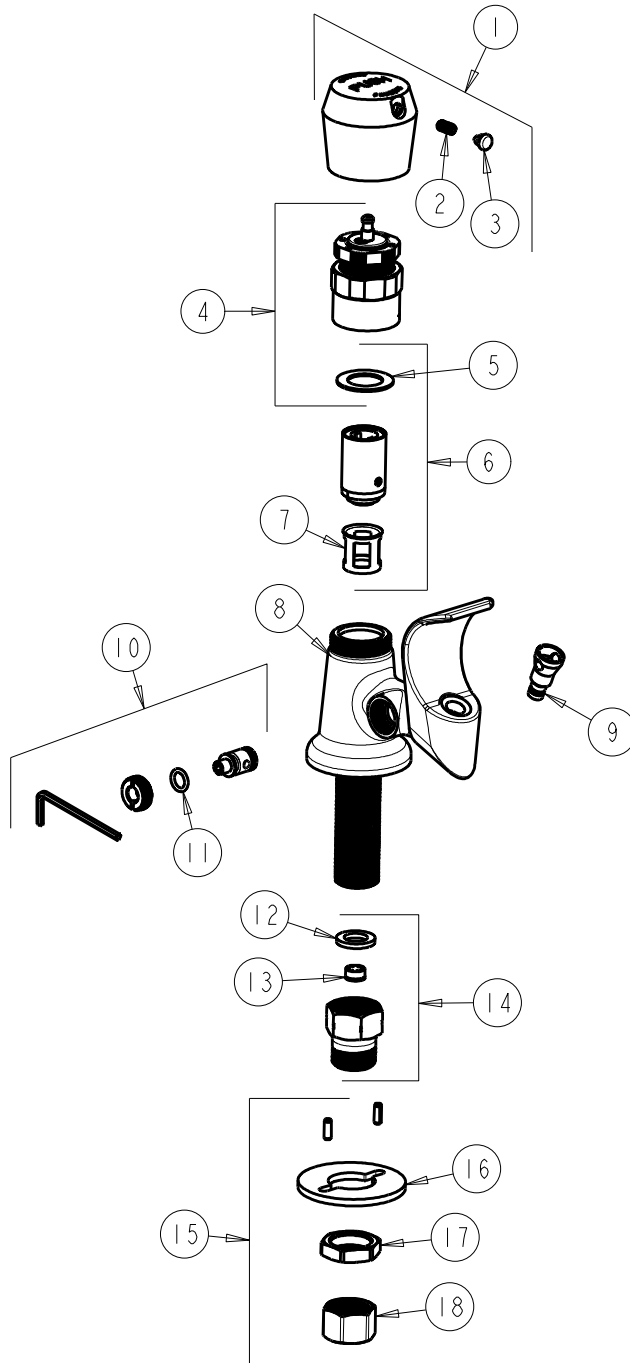
CHK: *[Signature]* REV: 08-05-14

FITTING NO.

**748-665ABCP**

SUBMITTED MODEL NO.

ITEM NO.



ITEM	PART NO.	DESCRIPTION	ITEM	PART NO.	DESCRIPTION
1	665-PSHJKCP	HANDLE, PUSH CAP	10	748-012KJKABNF	FLOW CONTROL, KIT
2	665-116JKNF	SET SCREW	11	319-040JKABNF	O-RING
3	665-309KJKNF	BUTTONS, HOT AND COLD	12	1001-002JKABNF	GASKET
4	665-190KJKABNF	ACTUATOR ASSEMBLY	13	1020-004JKABNF	FLOW CONTROL 0.74 GPM MAX
5	665-011JKABNF	WASHER, SEALING	14	722-015KJKABRBF	ADAPTER, FLOW CONTROL 0.74GPM
6	672-XJKABNF	METERING CARTRIDGE, LESS PIN	15	748-013KJKNF	MOUNTING KIT
7	667-402JKABNF	MVP FILTER	16	807-112JKNF	WASHER
8	-----	BODY (NOT SOLD SEPARATELY)	17	49-004JKRBF	LOCKNUT
9	653-008JKABCP	NOZZLE	18	49-005JKRBF	COUPLING NUT