



ISO 9001 Certified

1000C Series

U.S. Patent 6192530B1

AC or Battery Powered Sensor Operated Faucet

The 1000C Series faucet is a 4-inch center-set, piston operated sensory faucet that provides a vandal resistant, no touch lavatory solution that promotes better hygiene and energy savings.

- **ADA Compliant.** Meets all barrier free codes
- Conserves water and energy
- Easily installed in new or retrofit applications
- Competitively priced for today's commercial market
- Promotes cleanliness & hygiene
- Proven Hydrotek craftsmanship and reliability

Available in:

- ✓ Low Lead, AC Powered (H-1000C-LR)
- ✓ Low Lead, Battery Powered (HB-1000C-LR)
- ✓ Low Lead, AC Powered with DC Backup (H-1000C-LRDC)



Features:

- **ACCU-SENSE** adjustable sensor eyes.
- All solid brass construction.
- Wall mountable, waterproof control box with armored, vandal resistant control and power cables.
- Preset/adjustable sensor range of 6" - 30" for various installation requirements.
- Standard automatic time-out feature. Preset at 20 seconds, but adjustable to 10, 30, or 60 seconds. Prevents accidental sink overflow.
- Shut-off delay is adjustable from 1 (preset) to 8 seconds.
- Solid brass body with cast 4" center-set and 3 point anchoring system. Twist-free and tamper resistant. Adapts to 8" center-set.
- Includes in-line filter with clean-out trap to reduce maintenance costs.
- All parts are field-replaceable to ensure quick and easy repair.
- Same faucet-field switchable to AC or battery powered.
- AC with DC backup models automatically switch to batteries during a power outage
- Slow closing, piston-operated solenoid valve provides reliable and smooth operation without water hammer.
- Superior VSI silicone elastomer piston seals are unaffected by chlorine, chloramines, or ammonia.
- Standard 0.5 GPM Laminar flow control for water conservation and annual savings.
- Control module allows a unique self-check of all electrical components.

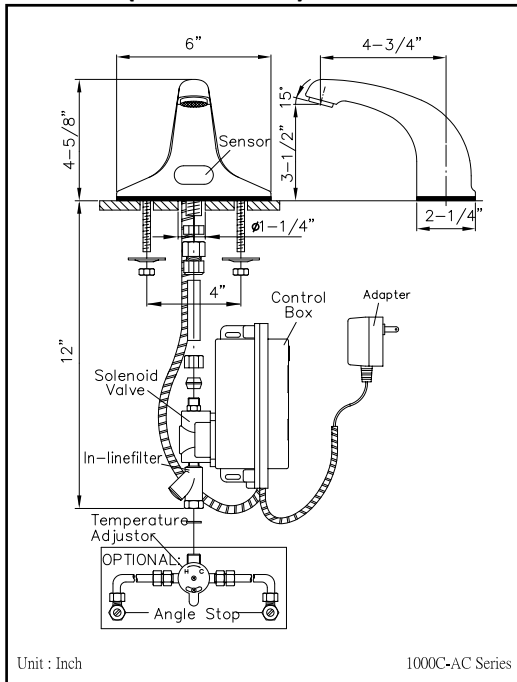
Hydrotek Automatic Faucets

1000C Series

Deck Mounted / Non-mixing

Meets ANSI/ASME A112.18.1 M-1989

H-1000C (AC Powered)



Operation:

1. A continuous, invisible beam is emitted from the sensor.
2. The faucet is activated by placing hands under the spout within the effective range of the beam. Water starts to flow immediately for as long as the user's hands remain in the sensor range.
3. When hands are removed, the water flow stops. The sensor will automatically reset and be ready for the next user.
4. In the battery powered version, a flashing red light will indicate a low battery condition.

Specifications:

Faucet Construction:

- Solid brass, chrome plated

Control Circuit:

- Solid state, AC or battery, switchable

Auto. Time-out:

- Preset at 20 seconds and adjustable to 10, 30, or 60 seconds

Line Purge (request only):

- 2 minute run every 12 hours or 24 hours

Scrub Mode Delay (request only):

- 60, 120, 180 seconds

Sensor Range:

- Preset and adjustable

Shut-off Delay:

- Presets and adjustable from 1-8 seconds

Control Cable:

- Armored, vandal resistant

Solenoid Valve:

- 6V DC, normally closed
 - Wattage: 0.4W (idle), 5W (in use)
 - Operating Pressure: 5 psi to 125 psi
 - 0.5 GPM, vandal resistant

Flow Control:

AC Mode

Power Adapter

Standard Plug-in:
 (UL/CSA)

- Input AC 120V 60 Hz or 220V
 - Output DC 12V, 0.8A/Class 2

Power Cable:

- Armored, vandal resistant

Optional Multi-Unit Adapter:
 (UL/CSA)

- Serves up to 8 faucets
 - Input AC 120V, Output DC 12V, 3A

Battery Mode

Battery Powered Models:

- (4) AA Alkaline Batteries

Battery Service Life:

- 400,000 on/off cycles, up to 4 years

Package Includes:

- (1) Faucet with electronic sensor
- (1) Control box w/6V DC solenoid
- (1) 12V DC plug-in power adaptor (H-1000C, -DC, -LR, and -LRDC only)
- (1) In-line filter with clean-out trap
- (1) Copper supply tube, 3/8"
- (1) Mounting hardware
- (1) 0.5 GPM vandal resistant flow control
- (4) AA Alkaline batteries (HB-1000C, -LR; H-1000C-DC, -LRDC only)
- (1) Battery holder (HB-1000C, -LR; H-1000C-DC, -LRDC only)

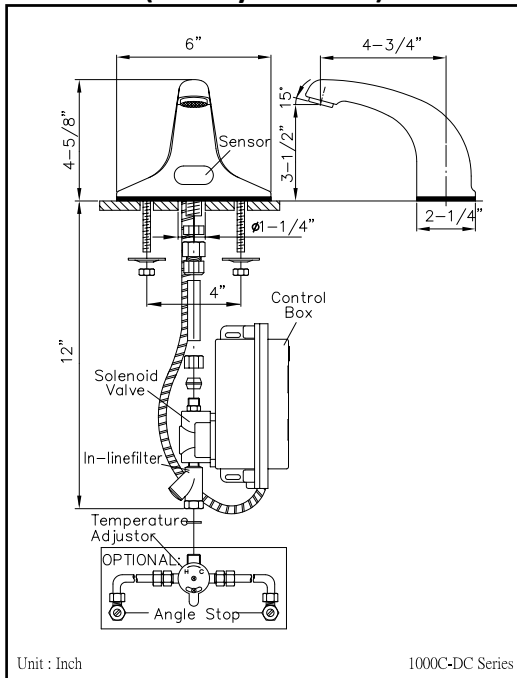
Dimensions:

Base Width (Outside Measurement)	6"
Base Depth	2-1/4"
Faucet Height (Aerator to Base)	3-1/2"
Faucet Height Overall	4-5/8"
Depth (Center of Aerator to Center of Faucet Base)	4-3/4"
Mounting Bolt Length	2-1/2"
Mounting Bolt Pattern	4" Centerset

Optional Variations and Accessories

- 1.6GPM VR Soft-Flow Aerator; 0.35, 1.5 & 2.2 GPM Laminar Flow
- 8" Centerset Cover Plate
- HC-010 Multi-Unit Voltage Adapter (AC Powered Only) - 8 units
- HC-0104 Multi-Unit Voltage Adapter (AC Powered Only) - 4 units
- HC-001 Mixing/Check Valve (Mechanical)
- HBL-04 Thermostatic Mixing Valve with Checks

HB-1000C (Battery Powered)



HYDROTEK INTERNATIONAL, INC.

5055 Forsyth Commerce Rd., Ste 124
 Orlando, FL 32807

800.922.9883 (Phone)

866.670.5580 (Fax)

www.hydrotekintl.com

