



ISO 9001 Certified

## 6000C Series

U.S. Patent 6192530B1

### AC or Battery Powered Sensor Operated Faucet

The 6000C Series faucet is a piston operated, deck mounted sensor faucet that provides a vandal resistant, no touch solution that promotes better hygiene and energy savings.

Using Hydrotek's patented gooseneck design, the 6000C Series faucet is ideal in clinics, hospitals, and manufacturing facilities for scrub stations.

- **ADA Compliant.** Meets all barrier free codes
- Conserves water and energy
- Easily installed in new or retrofit applications
- Competitively priced for today's commercial market
- Promotes cleanliness & hygiene
- Proven Hydrotek craftsmanship and reliability

#### Available in:

- ✓ Low Lead, AC Powered (H-6000C-LR)
- ✓ Low Lead, Battery Powered (HB-6000C-LR)
- ✓ Low Lead, AC Powered with DC Backup (HB-6000C-LRDC)

## Features:

- **ACCU-SENSE** adjustable sensor eyes.
- Chrome plated, solid brass construction.
- Wall mountable, waterproof control box with armored, vandal resistant control and power cables.
- Preset/adjustable sensor range of 6" - 30" for various installation requirements.
- Standard automatic time-out feature. Preset at 30 seconds, but adjustable to 10, 30, or 60 seconds. Prevents accidental sink overflow.
- Shut-off delay is adjustable from 1 (preset) to 8 seconds.
- Standard single-hole deck mount. Adapts to optional 4" to 8" cover plates.
- Includes in-line filter with clean-out trap to reduce maintenance costs.
- Standard 6" gooseneck spout and 2.0 GPM or 0.5 GPM Laminar flow control.
- All parts are field-replaceable to ensure quick and easy repair.
- Same faucet-field switchable to AC or battery powered.
- AC with DC backup models automatically switch to batteries during a power outage.
- Slow closing, piston-operated solenoid valve provides reliable and smooth operation without water hammer.
- Superior VSI silicone elastomer piston seals are unaffected by chlorine, chloramines, or ammonia.
- Control module allows a unique self-check of all electrical components.
- No-touch system enhances hygiene in medical, institutional, food service industries, etc.



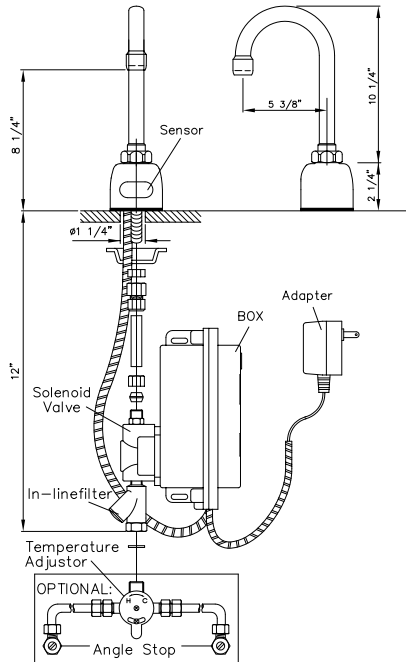
# Hydrotek Automatic Faucets

## 6000C Series

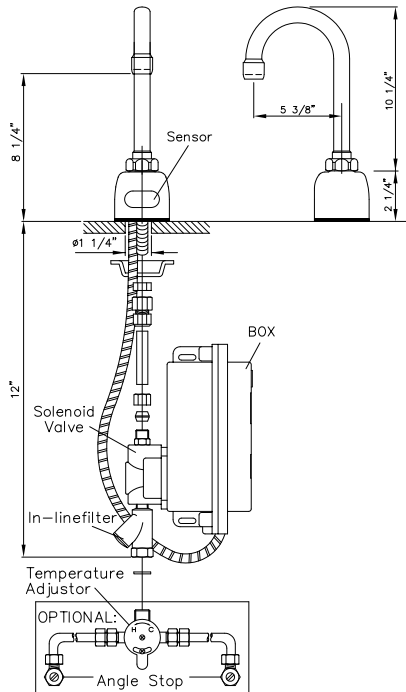
Deck Mounted / Non-Mixing

Meets ANSI/ASME A112.18.1 M-1989

### H-6000C (AC Powered)



### HB-6000C (Battery Powered)



#### Operation:

1. A continuous, invisible beam is emitted from the sensor.
2. The faucet is activated by placing hands under the spout within the effective range of the beam. Water starts to flow immediately for as long as the user's hands remain in the sensor range.
3. When hands are removed, the water flow stops. The sensor will automatically reset and be ready for the next user.
4. In the battery powered version, a flashing red light will indicate a low battery condition.

#### Specifications:

Faucet Construction:

- Solid brass, chrome plated

Control Circuit:

- Solid state, AC or battery, switchable

Auto. Time-out:

- Preset at 20 seconds and adjustable to 10, 30, or 60 seconds

Line Purge (request only):

- 2 minute run every 12 hours or 24 hours

Scrub Mode Delay (request only):

- 60, 120, 180 seconds

Sensor Range:

- Preset and adjustable

Shut-off Delay:

- Presets and adjustable from 1-8 seconds

Control Cable:

- Armored, vandal resistant

Solenoid Valve:

- 6V DC, normally closed

- Wattage: 0.4W (idle), 5W (in use)

- Operating Pressure: 5 psi to 125 psi

- 2.0 or 0.5 GPM, Laminar Flow Control

Flow Control:

#### AC Mode

Power Adapter

Standard Plug-in:

- Input AC 120V 60 Hz or 220V

(UL/CSA)

- Output DC 12V, 0.8A/Class 2

Power Cable:

- Armored, vandal resistant

Optional Multi-Unit Adapter:

- Serves up to 8 faucets

(UL/CSA)

- Input AC 120V, Output DC 12V, 3A

#### Battery Mode

Battery Powered Models:

- (4) AA Alkaline Batteries

Battery Service Life:

- 400,000 on/off cycles, up to 4 years

#### Package Includes:

- (1) Faucet with electronic sensor
- (1) Control box w/6V DC solenoid
- (1) 12V DC plug-in power adaptor (H-6000C, -DC, -LR and -LRDC only)
- (1) In-line filter with clean-out trap
- (1) Flex, S.S. supply tube, 3/8"
- (1) 6" Gooseneck Spout
- (1) Mounting hardware
- (1) 2.0 GPM Flow Control
- (4) AA Alkaline batteries (HB-6000C, -DC, -LR, -LRDC only)
- (1) Battery holder (HB-6000C, -DC, -LR, -LRDC only)

#### Dimensions:

Base Width (Outside Measurement)	2-1/4"
Base Depth	2-1/4"
Faucet Height (Aerator to Base)	8-1/4"
Faucet Height Overall	12-1/2"
Depth (Center of Aerator to Center of Faucet Base)	5-3/8"
Mounting Bolt Length	2-1/4"
Mounting Bolt Pattern	Single-hole mount

#### Optional Variations and Accessories

- 0.35, 0.5, 1.5, 2.2 GPM Laminar Flow
- 4" or 8" Centerset Cover Plate
- HC-010 Multi-Unit Voltage Adapter (AC Powered Only) - 8 units
- HC-0104 Multi-Unit Voltage Adapter (AC Powered Only) - 4 units
- HC-001 Mixing/Check Valve (Mechanical)
- HBL-04-LR Thermostatic Mixing Valve with Checks (Low Lead)
- 8" deep Gooseneck and 6" or 8" Swing Spout

**HYDROTEK INTERNATIONAL, INC.**  
 5055 Forsyth Commerce Rd., Ste 124  
 Orlando, FL 32807  
 800.922.9883 (Phone)  
 866.670.5580 (Fax)  
 www.hydrotekintl.com

