

The E-Tronic® 80

Contemporary design with Dependable touchless convenience.

The E-Tronic® 80 offers a new, contemporary design option for commercial restroom applications. With above-deck electronics, including models with integrated scald protection**, the E-Tronic 80 eliminates clutter below the deck to enhance the overall design of the room.



Saves Water

Adjustable run time with vandal resistant outlet options from .35 to 1.5 GPM.

Easy to Install and Service

Electronic components are above-deck for faster installation and easier maintenance.

Added Safety

Available with an integral ASSE 1070 compliant thermostatic protection** to help prevent scalding.

Optional **Commander™ handheld programming unit** maintains and monitors your faucets.

- Five Running Modes
- Hygiene Flush
- Track Usage



Versatile Design

Available with single or dual supply. Dual supply features user adjustable temperature control. Installers can easily convert to concealed control with included vandal resistant chrome plated cap.

Innovative Power Options

LTPS

Long Term Power System
Maintenance-free power for 15 years or more.

AC

Plug-In or Hard-Wire

DC

Lithium CRP2 Battery



Dual Supply

Comes with external temp control or convert to concealed mixer. Available with optional thermostatic protection.



Single Supply

Connects easily to a building's pre-tempered water supply or an external mixing valve.

Accessories



4" Cover Plate
3500-001KJKCP



8" Cover Plate
3500-002KJKCP



Commander™
Handheld Unit
116.585.00.1

Codes & Standards

ASSE 1070 Certified* | Certified to NSF/ANSI 61, Section 9

ASME A112.18.1/CSA B125.1 Certified



Complies with ADA requirements as specified in the Americans with Disabilities Act.

*Only models with thermostatic mixer are ASSE 1070 certified.

**Patent pending.

Touchless Faucets

E80-A11A-17ABCP

Product Type

Advanced electronic commercial faucet with touchless sensor operation and ASSE 1070 scald protection

Features & Specifications

- Includes built-in ASSE 1070 thermostatic* mixing valve (*thermostatic protection patent pending)
- Compatible with Commander™ Handheld Programming Unit; multiple field-adjustable modes and ranges
- Single hole
- Vandal Proof Pressure compensating Econo-Flo™ non-aerating spray outlet 0.5 GPM
- ECAST® design provides durable cast brass construction with total lead content equal to or less than 0.25% by weighted average
- Complies with the requirements of the Buy American Act of 1933.

Performance Specification

- Rated Operating Pressure: Operating static pressure: 20-125 PSI (138-862 kPa). Minimum static pressure for mixing 30 PSI (207 kPa). Maximum pressure differential between hot and cold water supplies: 20% WARNING! Water temperatures in excess of 110°F (43°C) are dangerous and may cause scalding, severe injury or death! This fitting is NOT factory preset and can be adjusted to deliver water at temperatures exceeding 110°F (43°C).
- Rated Operating Temperature: Cold water inlet temperature range: 39-80°F (4-27°C). Hot water inlet temperature range: 100-180°F (38-82°C). Mixed water temperature range: up to 180°F (82°C). Adjustable temperature control. Accurate within +/- 3°F (1.7°C). Minimum flow rate for proper functioning of thermostatic protection: 0.35 GPM (1.3 LPM). Minimum inlet water supply temperature differential: 20°F (9°C).

Warranty

- 3-Year Limited Electronics and Solenoid Warranty
- Lifetime Limited Faucet Warranty
- 1-Year Limited Finish Warranty
- 5-Year Limited Mechanical Warranty

Codes & Standards

- ASME A112.18.1/CSA B125.1
- ADA ANSI/ICC A117.1
- Certified per ASSE 1070 / ASME A112.1070 / CSA B125.70
- NSF/ANSI 372 Low Lead Content
- NSF/ANSI 61, Section 9

Job Name _____

Item Number _____

Section/Tag _____

Model Specified _____

Architect _____

Engineer _____

Contractor _____

Submitted as Shown Submitted with Variations

Date _____



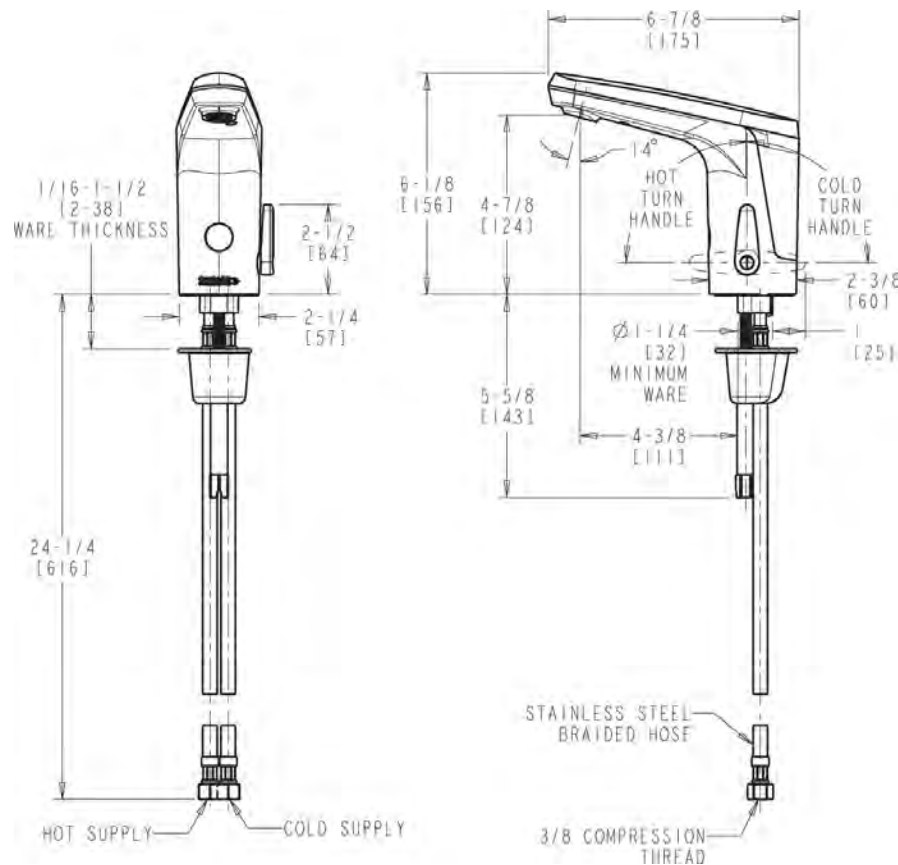
ECAST

ECAST products are intended for installation where state laws and local codes mandate lead content levels or in any location where lead content is a concern.

2100 South Clearwater Drive
Des Plaines, IL
P: 847/803-5000
F: 847/803-5454
Technical: 800/TEC-TRUE
www.chicagofaucets.com

Architect/Engineer Specification

Chicago Faucets No. E80-A11A-17ABCP, E-Tronic® 80 faucet with dual-beam infrared sensor. Contemporary-style integral spout, chrome plated. Single-hole deck mount. 0.5 GPM (1.9 L/min) vandal-proof, pressure compensating, Econo-Flo, non-aerating spray. Dual supply for hot and cold water service. 6-volt lithium CRP2 battery included. Flexible supply hoses included. User Adjustable Thermostatic Mixer (included); Pre-assembled with Concealed Internal Thermostatic Control Mixer. Multiple field-adjustable modes and ranges. Compatible with Chicago Faucets Commander™ handheld programming unit. ECAST® construction with less than 0.25% lead content by weighted average. CALGreen compliant. This product meets ADA ANSI/ICC A117.1 requirements and is tested and certified to industry standards: ASME A112.18.1/CSA B125.1, Certified to NSF/ANSI 61, Section 9, ASSE 1070, California Health and Safety Code 116875 (AB1953-2006), Vermont Bill S.152, NSF/ANSI 372 Low Lead Content, and California Green Building Standards Code (CALGreen).



Operation and Maintenance

Installation should be in accordance with local plumbing codes. Flush all pipes thoroughly before installation. After installation, remove spout outlet or flow control and flush faucet thoroughly to clear any debris. Care should be taken when cleaning the product. Do not use abrasive cleaners, chemicals or solvents as they can result in surface damage. Use mild soap and warm water for cleaning and protecting the life of Chicago Faucet products. For specific operation and maintenance refer to the installation instructions and repair parts documents that are located at www.chicagofaucets.com.

Chicago Faucets, member of the Geberit Group, is the leading brand of commercial faucets and fittings in the United States, offering a complete range of products for schools, laboratories, hospitals, office buildings, food service, airports and sport facilities. Call 1.800.TECTRUE or 1.847.803.5000 Option 1 for installation or other technical assistance.



Repair Parts

E80-A11A-17ABCP

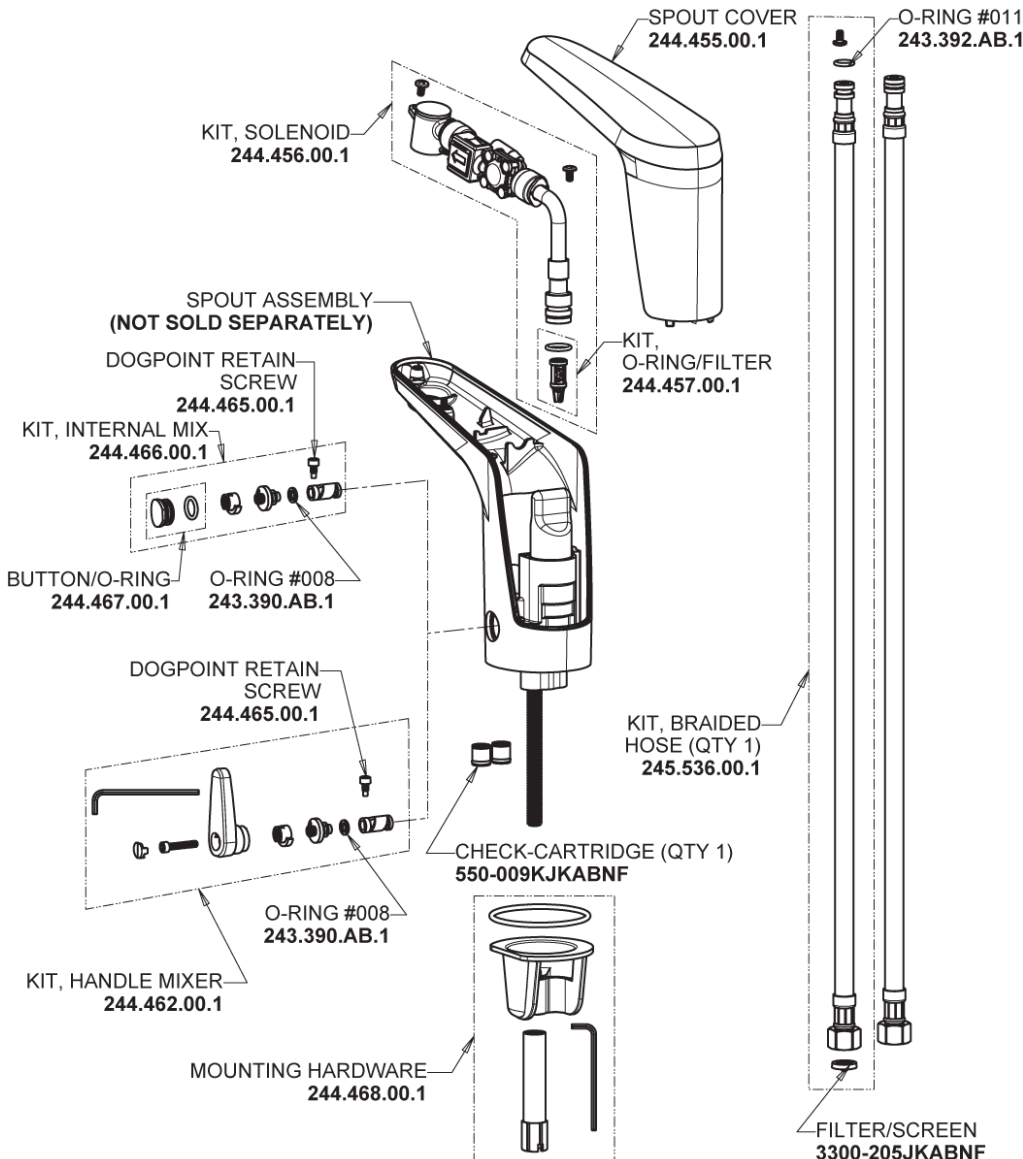
Advanced electronic commercial faucet with touchless sensor operation and ASSE 1070 scald protection

CHICAGO FAUCETS

Geberit Group

E-Tronic 80 Base with Thermostatic Mixer

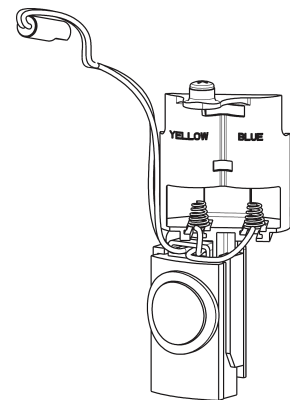
Base Parts:



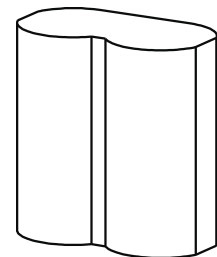
0.5 GPM (1.9 L/min) Vandal Proof Pressure Compensating Econo-Flo Non-Aerating Spray Outlet
243.145.AB.1



Electronic Module
244.458.00.1



CR-P2 6V Lithium Battery
242.560.00.1



For Technical Assistance:

Phone: 800-TEC-TRUE (832-8783)

Email: techsupport.us@chicagofaucets.com

2100 South Clearwater Drive

Des Plaines, IL 60018

Phone: 847-803-5000

chicagofaucets.com