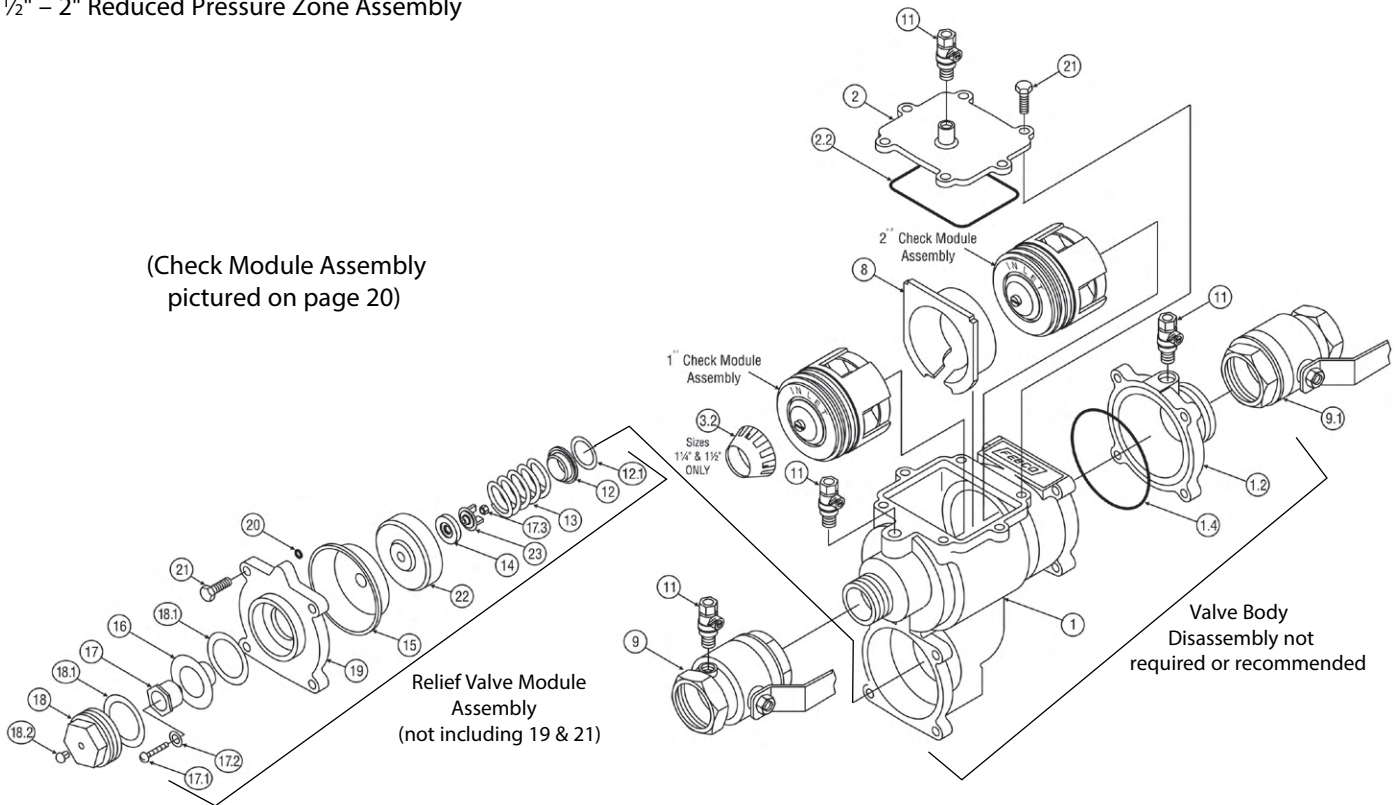


860, LF860, 860U, LF860U, 880, 880U
 1/2" – 2" Reduced Pressure Zone Assembly

(Check Module Assembly
 pictured on page 20)



Ordering Code	Style	Size
Complete Rubber Kit		
LEAD FREE 905355	ALL	1/2" & 3/4"
905356	ALL	1"
905357	ALL	1 1/4"-2"
Kit Includes: All rubber parts		
Check Module Rubber Kit		
LEAD FREE 905342	ALL	1/2" & 3/4"
905343	ALL	1"
905344	ALL	1 1/4"-2"
Both checks. Kit Includes: Item 2.2 & 2 ea. of items 3.1 & 5		
Relief Valve Rubber Kit		
LEAD FREE 905345	ALL	1/2" & 3/4"
905345	ALL	1"
905346	ALL	1 1/4"-2"
Kit Includes: Items 12, 12.1, 14 - 16, 18.1 (2 ea) & 20		
Single Poppet Kit		
LEAD FREE 905339	ALL	1/2" & 3/4"
905340	ALL	1"
905341	ALL	1 1/4"-2"
Valve has two poppets. Kit Includes: Items 4 thru 5.2		

Ordering Code	Style	Size
#1 Check Module Kit (inlet)		
LEAD FREE 905348	ALL	1/2" & 3/4"
905350	ALL	1"
905352	ALL	1 1/4"-2"
Kit Includes: Items 3 - 7 for inlet check		
#2 Check Module Kit (outlet)		
LEAD FREE 905347	ALL	1/2" & 3/4"
905349	ALL	1"
905351	ALL	1 1/4"-2"
Kit Includes: Items 3 - 7 for outlet check		
Full Relief Valve Module Kit		
LEAD FREE 905421	ALL	1/2" & 3/4"
905421	ALL	1"
905422	ALL	1 1/4"-2"
Kit Includes: 1 ea of Items 12 - 17.3, 20, 22 & 23 & 2 ea.		
Cover Kit		
LEAD FREE 905618	ALL	1/2" & 3/4"
905619	ALL	1"
905620	ALL	1 1/4"-2"
Kit Includes: Items 2 and 2.2		

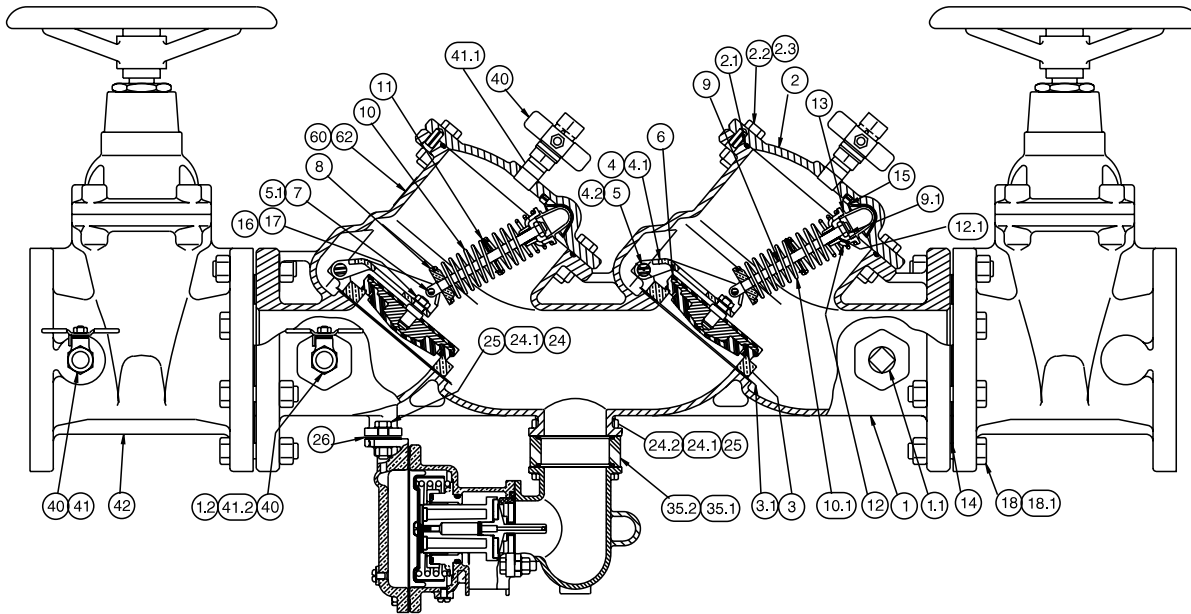
*The wetted surface of this product contacted by consumable water contains less than 0.25% of lead by weight.
 Supersedes all other price lists / Prices subject to change / Weights are estimated

¹Grooved ends available on all OS&Y gate valves in some models and sizes. Expect larger lead times.

Detailed maintenance manuals can be downloaded at www.FEBCOonline.com.

860

2 1/2" – 10" Reduced Pressure Zone Assemblies



Ordering Code	Style	Size
---------------	-------	------

Disc Assembly		
905182	860	2 1/2" & 3"
905183	860	4"
905184	860	6"
905185	860	8", 10"

Kit Includes: Items 6, 16, 17

Ordering Code	Style	Size
---------------	-------	------

Spring Module		
905172	INLET	2 1/2" & 3"
905173	INLET	4"
905174	INLET	6"
905175	INLET	8", 10"
905142	OUTLET	2 1/2" & 3"
905143	OUTLET	4"
905144	OUTLET	6"
905145	OUTLET	8", 10"

Kit Includes: Items 2.1, 5.1, 7, 8, 9, 9.1, 10, 11, 12, 12.1

Ordering Code	Style	Size
---------------	-------	------

Check Replacement Kit		
905543	INLET	2 1/2" & 3"
905546	INLET	4"
905550	INLET	6"
905554	INLET	8", 10"
905527	OUTLET	2 1/2" & 3"
905547	OUTLET	4"
905551	OUTLET	6"
905555	OUTLET	8", 10"

Kit Includes: Items 2.1, and 3 - 17

Ordering Code	Style	Size
---------------	-------	------

Seat Ring / Arm Assembly		
905157	860	2 1/2" & 3"
905158	860	4"
905159	860	6"
905160	860	8", 10"

Kit Includes: Items 3, 3.1, 3.2, 3.4, 4, 4.1, 4.2, 5

Ordering Code	Style	Size
---------------	-------	------

Check Rubber Kit		
905409	860	2 1/2" & 3"
905410	860	4"
905411	860	6"
905412	860	8", 10"

Kit Includes: Items 2.1, 3.1, 6, 15-17, 26, 35, 35.1, 45, 45.1

Ordering Code	Style	Size
---------------	-------	------

Full Rubber Kit		
905187	860	2 1/2" & 3"
905188	860	4"
905189	860	6"
905190	860	8", 10"

Kit Includes: (For two Checks and RV)

Ordering Code	Style	Size
---------------	-------	------

Cover Assembly		
905167	With Bulkhead Fitting	2 1/2" & 3"
905168	With Bulkhead Fitting	4"
905169	With Bulkhead Fitting	6"
905170	With Bulkhead Fitting	8", 10"
905376	TAPPED	2 1/2" & 3"
905377	TAPPED	4"
905378	TAPPED	6"

Kit Includes: Items 2, 2.1, 15

For relief valve parts, see page 34.

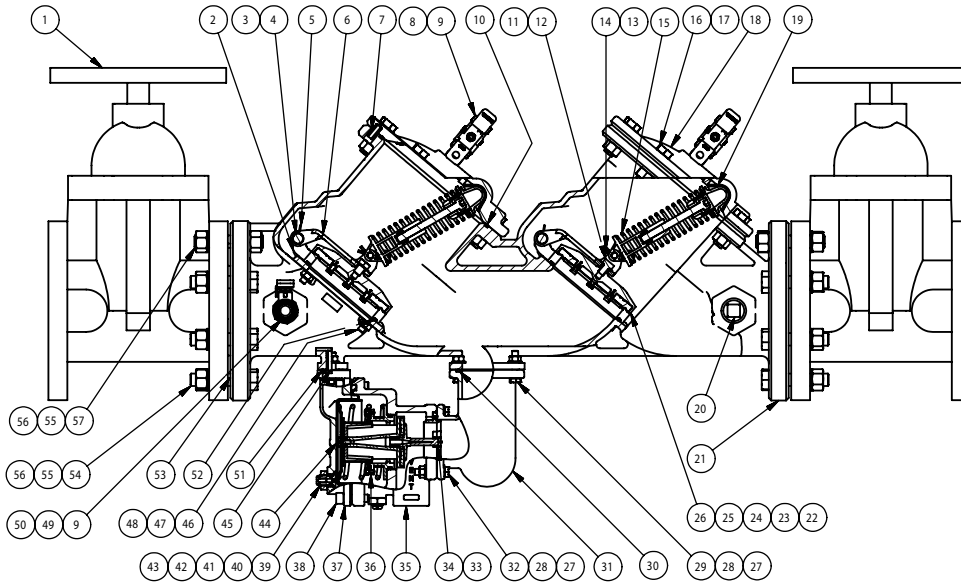
Supersedes all other price lists / Prices subject to change / Weights are estimated

¹Grooved ends available on all OS&Y gate valves in some models and sizes. Expect larger lead times.

Detailed maintenance manuals can be downloaded at www.FEBCOonline.com.

LF860, LF866

2 1/2" – 10" Reduced Pressure Zone Assemblies/Reduced Pressure Zone Detector Assemblies



Ordering Code	Style	Size
Disc Assembly		
905466	ALL	2 1/2" & 3"
905467	ALL	4"
905468	ALL	6"
905469	ALL	8" & 10"
Kit Includes: Items 11, 12, 22, 23, 24, 25, 26		
Check Rubber Kit		
905490	ALL	2 1/2" & 3"
905491	ALL	4"
905492	ALL	6"
905493	ALL	8" & 10"
Kit Includes: Items 10, 25, 30, and 51 and Seat Ring O-Rings		
Spring Module		
905507	860, 866 (1st)	2 1/2" & 3"
905508	860, 866 (1st)	4"
905509	860, 866 (1st)	6"
905510	860, 866 (1st)	8" & 10"
905470	860 (2nd)	2 1/2" & 3"
905471	860 (2nd)	4"
905472	860 (2nd)	6"
905473	860 (2nd)	8" & 10"
905608	866 (2nd)	2 1/2" & 3"
905609	866 (2nd)	4"
905610	866 (2nd)	6"
905611	866 (2nd)	8" & 10"
Kit Includes: Item 15		
Seat Ring / Arm Assembly		
905486	ALL	2 1/2" & 3"
905487	ALL	4"
905488	ALL	6"
905489	ALL	8" & 10"
Kit Includes: Items 2, 3, 4, 5, 6, 46, 47, 48, 52		

Ordering Code	Style	Size
Check Replacement Kit		
905511	860, 866 (1st)	2 1/2" & 3"
905512	860, 866 (1st)	4"
905514	860, 866 (1st)	6"
905515	860, 866 (1st)	8" & 10"
905478	860 (2nd)	2 1/2" & 3"
905479	860 (2nd)	4"
905480	860 (2nd)	6"
905481	860 (2nd)	8" & 10"
905612	866 (2nd)	2 1/2" & 3"
905613	866 (2nd)	4"
905614	866 (2nd)	6"
905615	866 (2nd)	8" & 10"
Kit Includes: Check Assembly, Seat Ring Arm, Spring Assembly, and Disc Assembly. Cover O-Rings on all Check Kits		
Full Rubber Kit		
905535	ALL	2 1/2" & 3"
905566	ALL	4"
905579	ALL	6"
905580	ALL	8" & 10"
Kit Includes: (For Two Checks and RV)		
Cover Assembly		
905376	ALL	2 1/2" & 3"
905377	ALL	4"
905378	ALL	6"
Kit Includes: Items 7, 10, 18, 19		

*The wetted surface of this product contacted by consumable water contains less than 0.25% of lead by weight.

Supersedes all other price lists / Prices subject to change / Weights are estimated

¹Grooved ends available on all OS&Y gate valves in some models and sizes. Expect larger lead times.

Detailed maintenance manuals can be downloaded at www.FEBCOonline.com.

860, 880

Relief Valve Repair Kits

Ordering Code

RV Rubber Kit

905316

Kit Includes: Items 26, 27, 31.1, 32, 34.1, 37

RV Repair Parts Kit

905192

Kit Includes: Items 26, 27, 28, 28.1, 29, 30, 31, 31.1, 32, 33, 34, 34.1, 37, 38, 38.1, 39

Internal Module (Fully Assembled)

905320

Kit Includes: Items 27, 28, 28.1, 29, 30, 31, 31.1, 32, 33, 37, 38, 38.1, 39

Complete Relief Valve (860)

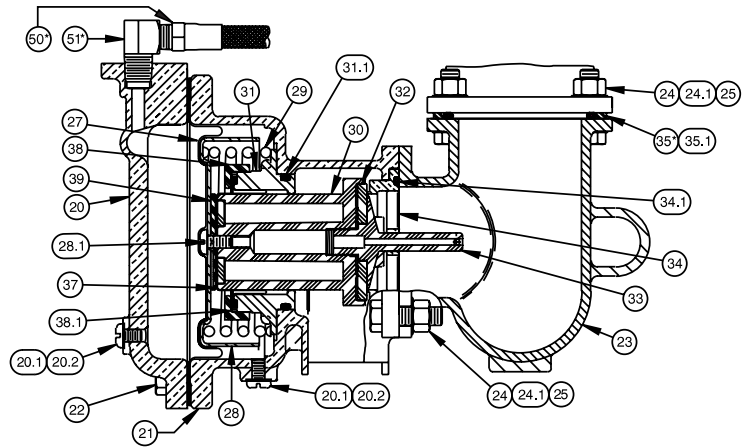
905294

Kit Includes: Fully Assembled

Complete Relief Valve (880V)

905295

Kit Includes: Fully Assembled



LF860, LF880V, LF866, LF886V

Relief Valve Repair Kits

Ordering Code

RV Rubber Kit

905602

Kit Includes: Items 2, 4, 10, 12, 17 & 29

RV Repair Parts Kit

905603

Kit Includes: Items 2, 4, 6, 7, 8, 9, 10, 11, 12, 17, 18, 19, 28, 29, 31, 32, 33, 34 & 35

Complete RV W/Elbows

(LF860/LF866 2 1/2" - 8")

905606

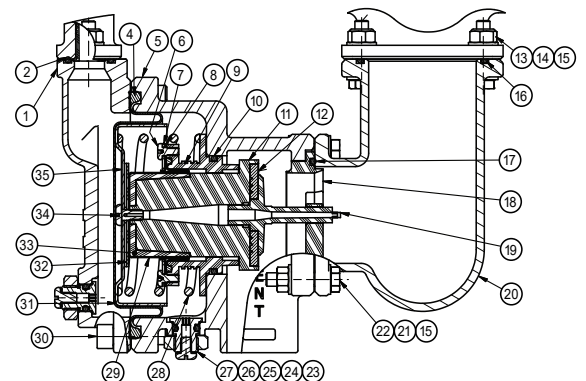
Kit Includes: Fully Assembled

Complete RV W/Elbows

(LF880V, LF886V, LF860/LF866 10")

905607

Kit Includes: Fully Assembled



LF856, LF876V, LF866, LF886V

Bypass Assemblies and Bypass Repair Kits

Ordering Code

Size

LF856/LF866

905629 2 1/2" - 4"

905630 6" - 10"

LF876V/LF886V

905625 2 1/2" - 3"

905638 4"

905626 6"

905639 8"

905640 10"

Kit supplied loosely assembled

LF856, LF876V, LF866, LF886V cont.

Bypass Assemblies and Bypass Repair Kits

Ordering Code

Size

LF856/LF886/LF876V/LF886V/Bypass

Hose

905631 2 1/2" - 4"

905632 6" - 10"

LFFRK 619 CK1 Bypass Check Repair Kit

905633 2 1/2" - 10"

LFFRK 619 Bypass Check Assembly

905634 2 1/2" - 10"

*The wetted surface of this product contacted by consumable water contains less than 0.25% of lead by weight.

Supersedes all other price lists / Prices subject to change / Weights are estimated

¹Grooved ends available on all OS&Y gate valves in some models and sizes. Expect larger lead times.

Detailed maintenance manuals can be downloaded at www.FEBCOonline.com.