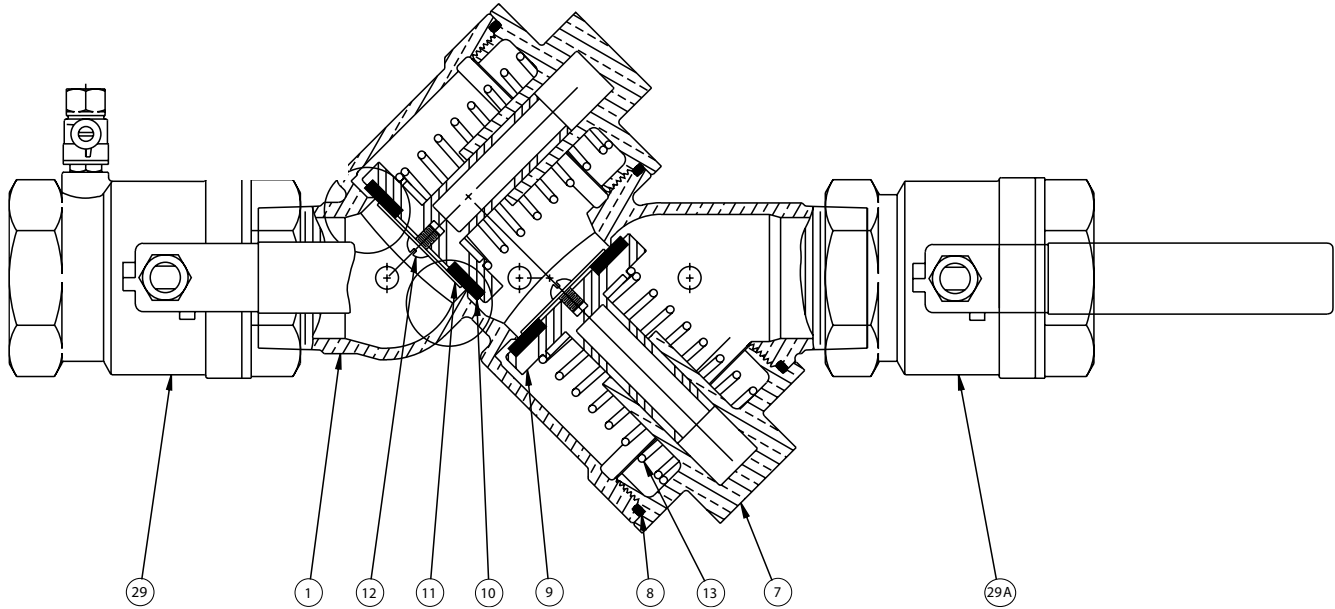


805Y, 805YB, 805YS

3/4" - 2" Double Check Valve Assembly



Ordering Code	Style	Size
Rubber Kit for Both Checks		
905042	Y, YB	3/4"-1 1/4"
905053	Y, YB	1 1/2" & 2"
905042S	YS	3/4"-1 1/4"
905053S	YS	1 1/2" & 2"
Kit Includes: Items 8, 10, 2 ea.		
Single Check Repair Kit		
905044	Y, YB	3/4"-1 1/4"
905055	Y, YB	1 1/2" & 2"
905044S	YS	3/4"-1 1/4"
905055S	YS	1 1/2" & 2"
Kit Includes: Valve has two checks. Items 8-12, 1 ea.		
Double Check Kit w/Springs		
905242	Y, YB	3/4"-1 1/4"
905243	Y, YB	1 1/2" & 2"
630115	Y, YS	3/4"-1 1/4"
630118	Y, YS	1 1/2" & 2"
630167	YB	3/4"-1 1/4"
—		1 1/2" & 2"
Kit Includes: Items 8-13, 2 ea.		

805, 835B

Double Check Assembly

Contact FEBCO Representative for information on components for these older designs. To replace the entire assembly (recommended), use FEBCO Model 850/LF850 Double Check.

*The wetted surface of this product contacted by consumable water contains less than 0.25% of lead by weight.

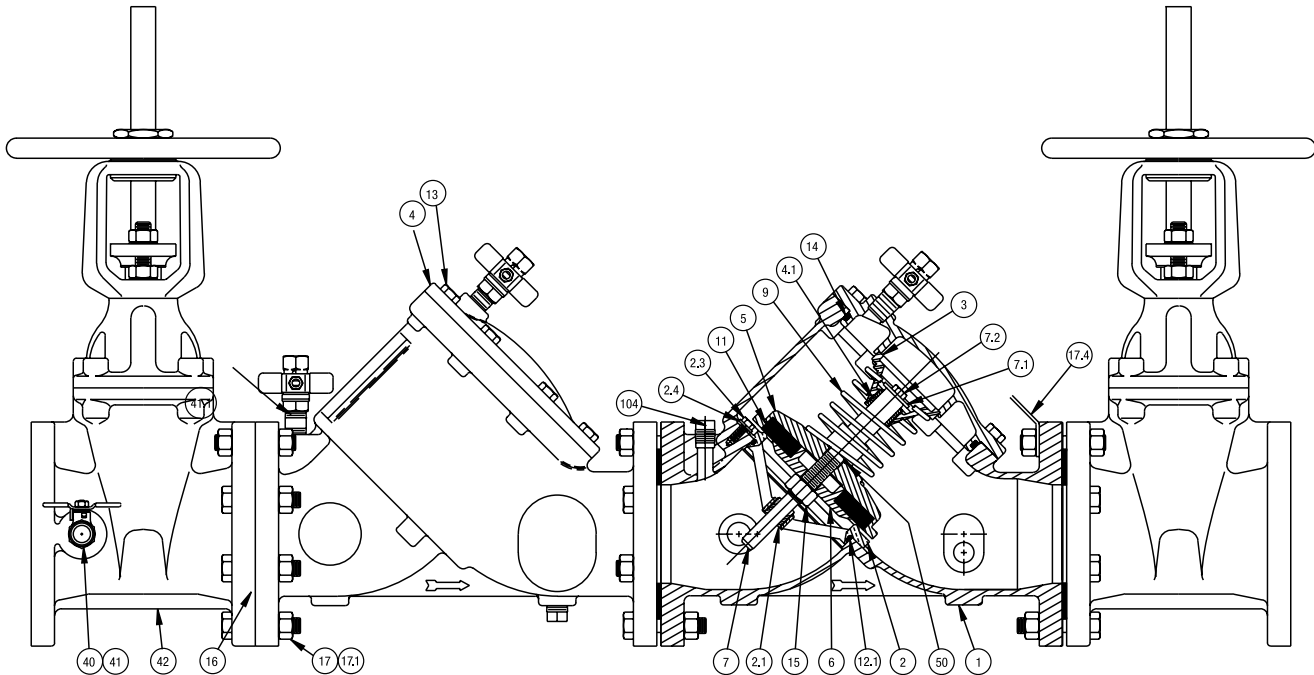
Supersedes all other price lists / Prices subject to change / Weights are estimated

¹Grooved ends available on all OS&Y gate valves in some models and sizes. Expect larger lead times.

Detailed maintenance manuals can be downloaded at www.FEBCOonline.com.

805, 805D, 805YD, 806YD

2 1/2" - 10" Double Check / Double Check Detector Assemblies



Ordering Code	Style	Size
Rubber Parts		
905059	805, 805D, 805YD, 806YD	2 1/2"
905060	805, 805D, 805YD, 806YD	3"
905061	805, 805D, 805YD, 806YD	4"
905062	805, 805D, 805YD, 806YD	6"
905063	805, 805D, 805YD, 806YD	8"
905064	805, 805D, 805YD, 806YD	10"
Kit Includes: Items 11, 14, 50		
Single Check Assembly		
905086	805YD	2 1/2"
905088	805YD	3"
902467	805YD	4"
902469	805YD	6"
902471	805YD	8"
902473	805YD	10"
—	806YD	2 1/2"
902514	806YD	4"
902515	806YD	6"
902516	806YD	8"
902517	806YD	10"
Kit Includes: Items 3, 4.1, 5, 6, 7, 7.1, 7.2, 9, 11, 15, 50		

Ordering Code	Style	Size
Seat Kit		
902386YD	805YD, 806YD	2 1/2"
902385YD	805YD, 806YD	3"
902384YD	805YD, 806YD	4"
902383YD	805YD, 806YD	6"
902382YD	805YD, 806YD	8"
902381YD	805YD, 806YD	10"
Kit Includes: Items 2, 2.1 & 12.1		
Gate Mounting Kit		
905036	805, 805D, 805YD, 806Y	2 1/2"
905037	805, 805D, 805YD, 806Y	3"
905038	805, 805D, 805YD, 806Y	4"
905039	805, 805D, 805YD, 806Y	6"
905040	805, 805D, 805YD, 806Y	8"
905041	805, 805D, 805YD, 806Y	10"
Kit Includes: Both ends. Items 16, 17, 17.1		
Cover Assembly		
902497	805YD, 806YD	2 1/2"
902498	805YD, 806YD	3"
902499	805YD, 806YD	4"
902500	805YD, 806YD	6"
902501	805YD, 806YD	8"
902502	805YD, 806YD	10"
Kit Includes: Items 4, 4.1, 14 & Aircock (not shown)		
Bypass Kit w/o Meter		
905138	806YD	2 1/2"
905138	806YD	3"
905138	806YD	4"
905138	806YD	6"
905138	806YD	8"
905138	806YD	10"

805, 805D

Double Check Valve Assemblies

Contact FEBCO Representative for information on unlisted components for these older designs.
To replace the entire assembly (recommended) use FEBCO Model LF850 Double Check Assembly with Spool Adapter.

Supersedes all other price lists / Prices subject to change / Weights are estimated

¹Grooved ends available on all OS&Y gate valves in some models and sizes. Expect larger lead times.

Detailed maintenance manuals can be downloaded at www.FEBCOonline.com.