

# Series 007, LF007

## Double Check Valve Assemblies

Sizes 1/2" – 2"

### Repair Kits

When ordering specify Ordering Code, Kit No., and Valve Size.

ORDERING CODE	KIT NO.	SIZE
<b>Total Repair Kits</b>		
0887033	RK 007-T	1/2"
0887724	RK 007M2-T	3/4"
0888554	RK 007M3-T	3/4"
0887027	RK 007-T	3/4" - 1"
0887044	RK 007M1-T	3/4" - 1"
0887723	RK 007M2-T	1 1/4" - 1 1/2"
0887034	RK 007-T	1 1/2" - 2"
0887192	RK 007M1-T	1 1/2" - 2"

Kit consists of: first check repair kit, second check repair kit, retainer (if plastic)

#### Check Kits: 1st or 2nd Check

0887193	RK 007 CK4	1/2"
0887377	RK SS007 CK4	1/2"
0887373	RK SS007M1 CK4	1"
0887026	RK 007M1 CK4	3/4" - 1"

#### 1st Check

0887045	RK 007M2 CK1	3/4"
0888550	RK 007M3 CK1	3/4"
0887393	RK SS007M2 CK1	3/4"
0888070	RK SS007M3 CK1	1/2" - 3/4"
0887023	RK 007 CK1	3/4" - 1"
0887025	RK 007 CK1	1 1/2" - 2"
0887186	RK 007M1 CK1	1 1/2" - 2"
0887719	RK 007M2 CK1	1 1/4" - 1 1/2"

#### 2nd Check

0887046	RK 007M2 CK2	3/4"
0888551	RK 007M3 CK2	3/4"
0888071	RK SS007M3 CK2	1/2" - 3/4"
0887024	RK 007 CK2	3/4" - 1"
0887028	RK 007 CK2	1 1/2" - 2"
0887187	RK 007M1 CK2	1 1/2" - 2"
0887720	RK 007M2 CK2	1 1/4" - 1 1/2"

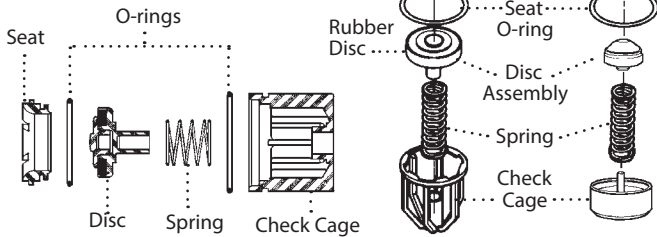
#### Stainless Steel 1st or 2nd Check

0887022	RK 007 CK1 SS	3/4" - 1"
0887030	RK 007 CK2 SS	3/4" - 1"
0887032	RK 007M1 CK4 SS	3/4" - 1"
0887031	RK 007 CK1 SS	1 1/2" - 2"
0887035	RK 007 CK2 SS	1 1/2" - 2"
0887189	RK 007M1 CK1 SS	1 1/2" - 2"
0887190	RK 007M1 CK2 SS	1 1/2" - 2"

290.50

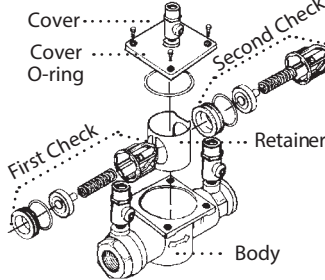
Kit consists of: seat; seat O-ring; disc assembly; spring; check cage; cover O-ring.

### 3/4" 007M3 Check Assembly

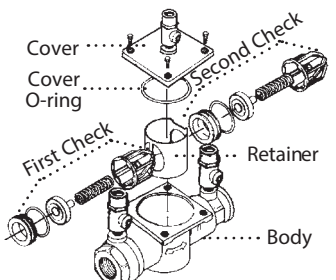


Rubber seat disc can be replaced. However, disc holder and disc retainer are permanently bonded to prevent failure.

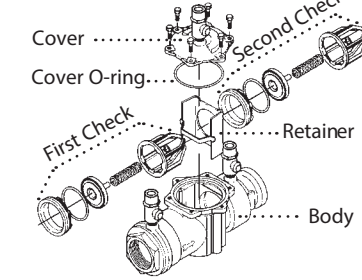
### 1/2" - 1" 007



### 1 1/4" - 1 1/2" 007M2



### 2" 007M1



ORDERING CODE	KIT NO.	SIZE
<b>Cover Kit</b>		
0887195	RK 007 C	1/2"
0887379	RK SS007 C	1/2"
0888073	RK SS007M3 C	1/2" - 3/4"
0794005	LFK 007M2/M3-C	3/4"
0887380	RK SS007M2 C	3/4"
0887381	RK SS007M1 C	1"
0794004	LFK 007M1 C	3/4" - 1"
0887191	RK 007M1 C	1 1/2" - 2"
0887722	RK 007M2 C	1 1/4" - 1 1/2"

Kit consists of: cover and cover O-ring.

#### Complete Rubber Parts

0887194	RK 007 RT	1/2"
0887378	RK SS007 RT	1/2"
0888072	RK SS007M3 RT	1/2" - 3/4"
0887394	RK SS007M2 RT	3/4"
0887043	RK 007M2 RT	3/4"
0888552	RK 007M3 RT	3/4"
0887374	RK SS007M1 RT	1"
0887040	RK 007 RT	3/4" - 1"
0887042	RK 007M1 RT	3/4" - 1"
0887041	RK 007 RT	1 1/2" - 2"
0887188	RK 007M1 RT	1 1/2" - 2"
0887721	RK 007M2 RT	1 1/4" - 1 1/2"

Kit consists of: cover O-ring; 2 disc assemblies and 2 seat O-rings.

\*The wetted surface of this product contacted by consumable water contains less than 0.25% of lead by weight.

# Series 007, LF007, 007DCDA

## Double Check Valve Assemblies Double Check Detector Assemblies

Sizes 2" - 3"

### Repair Kits

When ordering specify Ordering Code, Kit No., and Valve Size.

ORDERING CODE	KIT NO.	SIZE
<b>First Check Kit</b>		
0887980	RK 007DCDA CK1	2"
0794006	LFK 007 CK1	2 1/2", 3"
0794007	LFK 007DCDA CK1	2 1/2", 3"

Kit consists of: seat, seat O-ring, disc assembly, spring, spring retainer, check cage and cover O-ring.

#### Second Check Kit

0887981	RK 007DCDA CK2	2"
0794008	LFK 007 CK2	2 1/2", 3"
0794009	LFK 007DCDA-CK2	2 1/2", 3"

Kit consists of: seat, seat O-ring, disc assembly, spring, spring retainer, check cage and cover O-ring.

#### Complete Rubber Parts

0887982	RK 007DCDA RT	2"
0887287	RK 007 RT	2 1/2", 3"
0887967	RK 007DCDA RT	2 1/2", 3"

Kit consists of: 2 seat discs, 2 seat O-rings, and cover O-ring.

#### Cover Kit

0887983	RK 007DCDA C	2"
0887288	RK 007 C	2 1/2", 3"
0887970	RK 007DCDA C	2 1/2", 3"

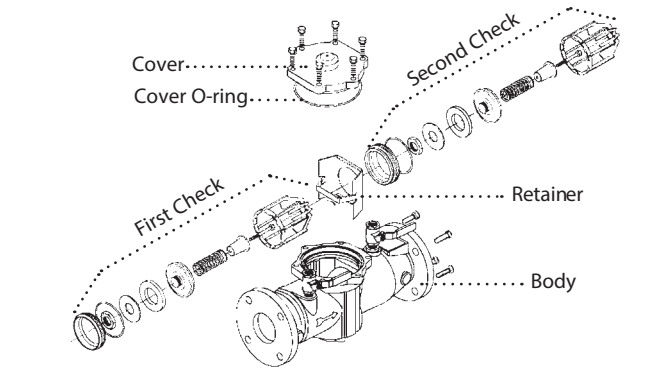
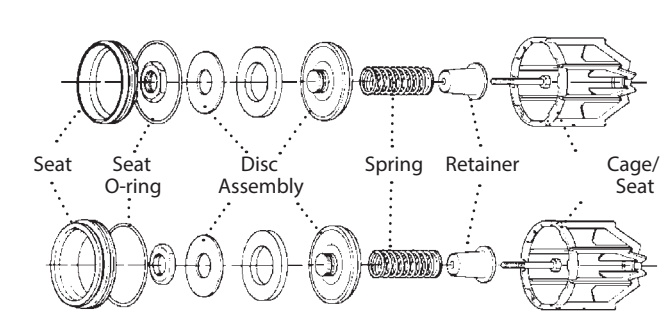
Kit consists of: cover, cover O-ring.

#### Seat Kit

0887984	RK 007DCDA S1	2"
0887985	RK 007DCDA S2	2"
0887289	RK 007 S1	2 1/2", 3"
0887290	RK 007 S2	2 1/2", 3"
0887968	RK 007DCDA S1	2 1/2", 3"
0887969	RK 007DCDA S2	2 1/2", 3"

Kit consists of: seat, seat O-ring and cover O-ring.

### Check Assemblies



\*The wetted surface of this product contacted by consumable water contains less than 0.25% of lead by weight.