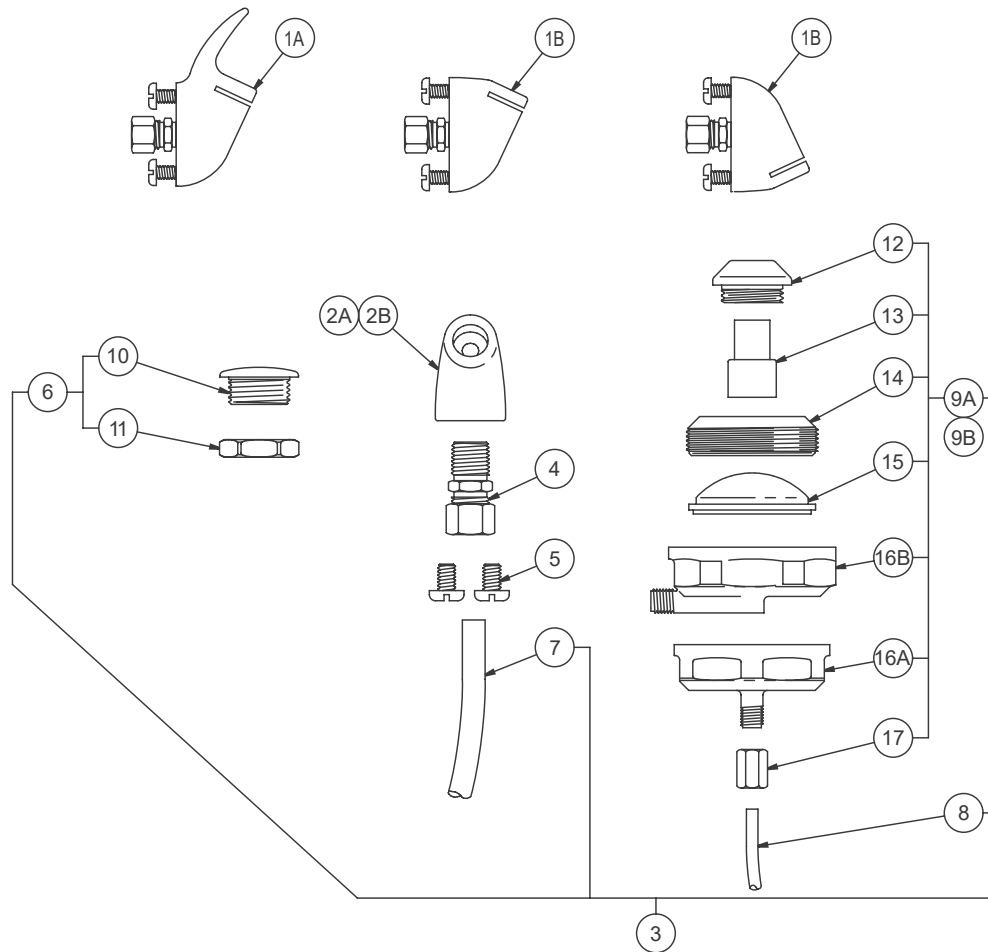




SINGLE TEMP, AIR-CONTROL FIXTURE TRIM

9957-051-001

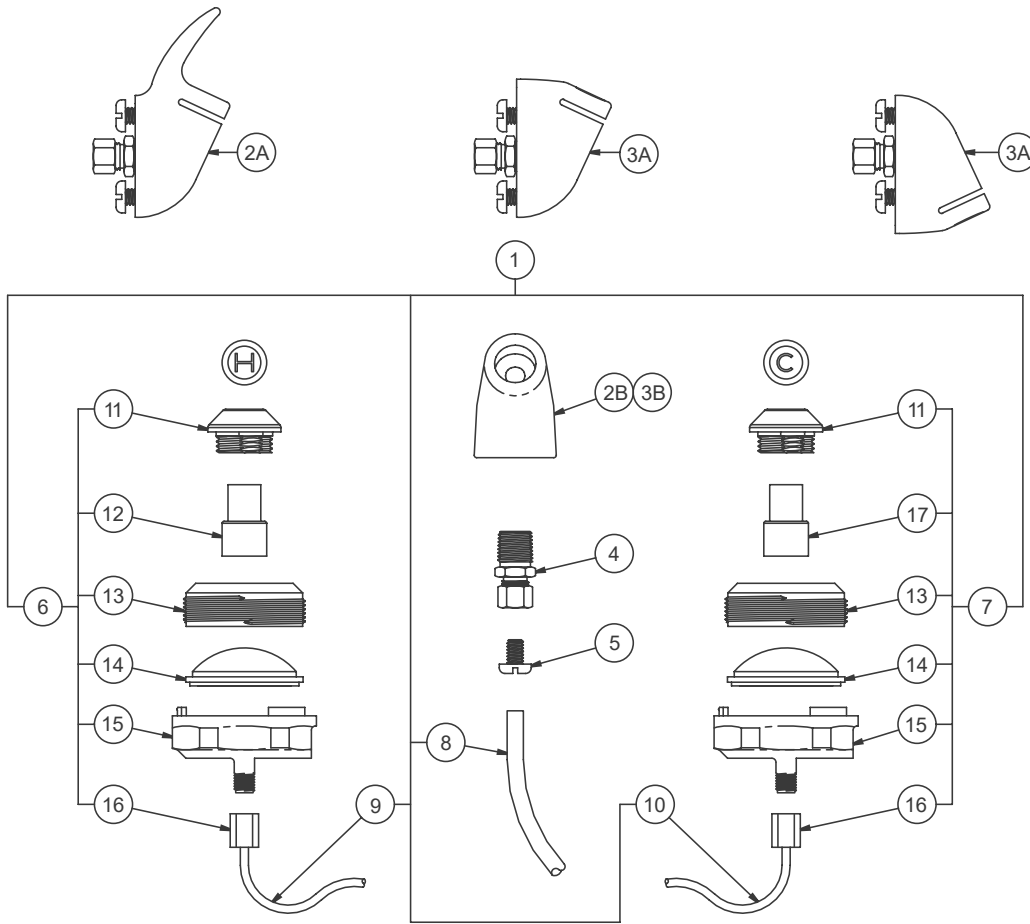


1A	4025-010-001	BUBBLER w/ MOUTHGUARD HARDWARE PKG
1B	4025-011-001	PENAL FILLER/BUBBLER HARDWARE
2A	4025-000-199	BUBBLER w/ MOUTHGUARD
2B	4025-001-199	PENAL FILLER/BUBBLER
3	4016-101-001	S/TEMP AIR-CONTROL FIXTURE TRIM
4	1895-002-000	1/4" TUBE x 1/4" NPT COMPRESSION FITTING
5	0126-004-000	#1/4-20 x 3/8" PAN HEAD SCREW
6	4005-050-001	BLANK ESCUTCHEON ASSEMBLY
7	2160-000-000	1/4" OD x 10 FEET SUPPLY TUBE
8	2150-000-000	1/8" OD x 10 FEET AIR TUBE
9A	2566-050-001	S/T BACK OUTLET PUSHBUTTON ASSEMBLY
9B	2566-025-001	S/T SIDE OUTLET PUSHBUTTON ASSEMBLY
10	4005-050-199	BLANK ESCUTCHEON
11	4015-001-199	RETAINER NUT
12	2566-020-199	ESCUTCHEON
13	2566-025-000	BLANK PUSHBUTTON
14	2566-022-000	ESCUTCHEON RETAINER
15	2566-001-000	DIAPHRAGM
16A	2566-056-199	DIAPHRAGM RETAINER, BACK OUTLET
16B	2566-055-199	DIAPHRAGM RETAINER, SIDE OUTLET
17	1895-450-000	1/8" FERRULE NUT
ITEM	PART NUMBER	DESCRIPTION



H & C PENAL AIR-CONTROL FIXTURE TRIM

9957-050-001



1	4016-100-001	H&C PENAL PUSHBUTTON ASSEMBLY
2A	4025-010-001	CODE BUBBLER w/ HARDWARE
2B	4025-000-199	CODE BUBBLER LESS HARDWARE
3A	4025-011-001	FILLER/BUBBLER w/ HARDWARE
3B	4025-001-199	FILLER/BUBBLER LESS HARDWARE
4	1895-002-000	1/4" TUBE x 1/4" NPT COMPRESSION FITTING
5	0126-504-000	#1/4-20 x 3/8" PAN HEAD SLOTTED SCREW
6	2566-051-001	PUSHBUTTON ASSEMBLY -HOT
7	2566-052-001	PUSHBUTTON ASSEMBLY -COLD
8	2160-010-199	1/4" O.D. x 10 FEET PE TUBING -CLEAR
9	2153-010-199	1/8" OD x 10 FEET PE TUBING -RED
10	2155-010-199	1/8" OD x 10 FEET PE TUBING -BLUE
11	2566-020-199	ESCUTCHEON
12	2566-026-000	PUSHBUTTON -HOT
13	2566-022-000	ESCUTCHEON RETAINER
14	2566-001-000	DIAPHRAGM
15	2566-056-199	DIAPHRAGM RETAINER
16	1895-450-000	1/8" COMPRESSION NUT
17	2566-027-000	PUSHBUTTON -COLD
ITEM	PART NUMBER	DESCRIPTION