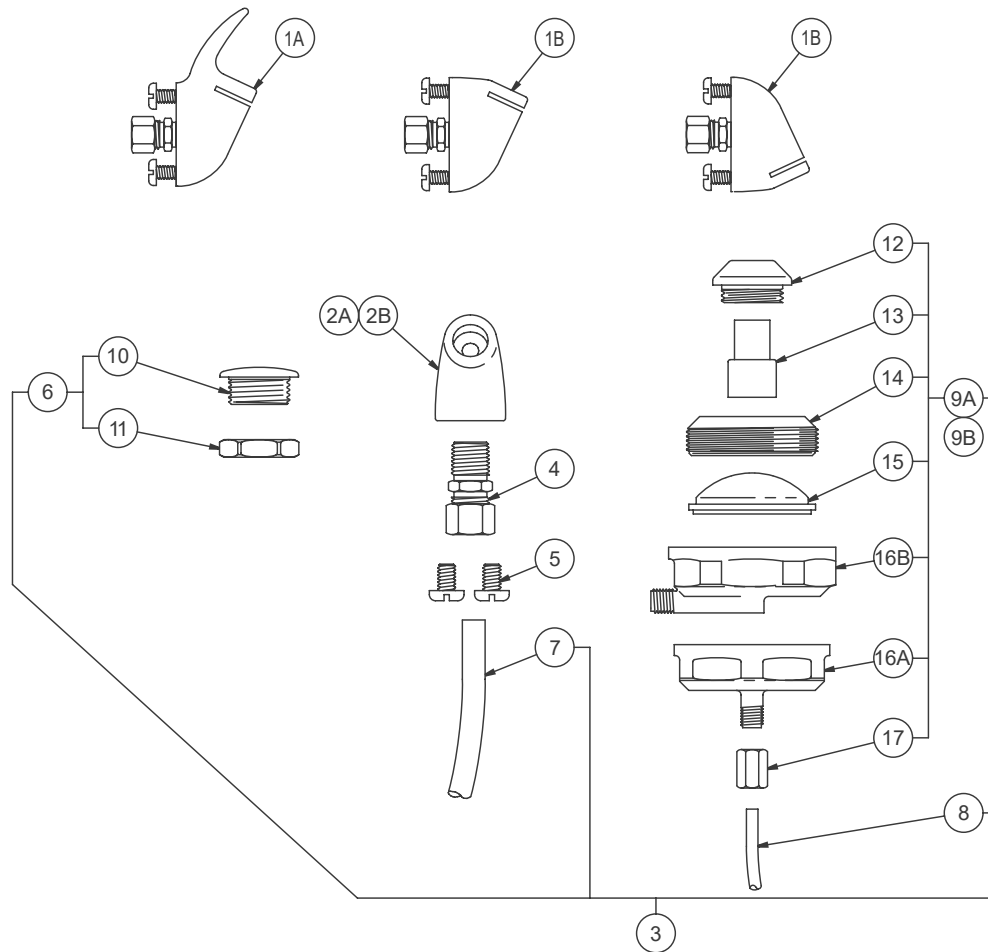




SINGLE TEMP, AIR-CONTROL FIXTURE TRIM

9957-051-001

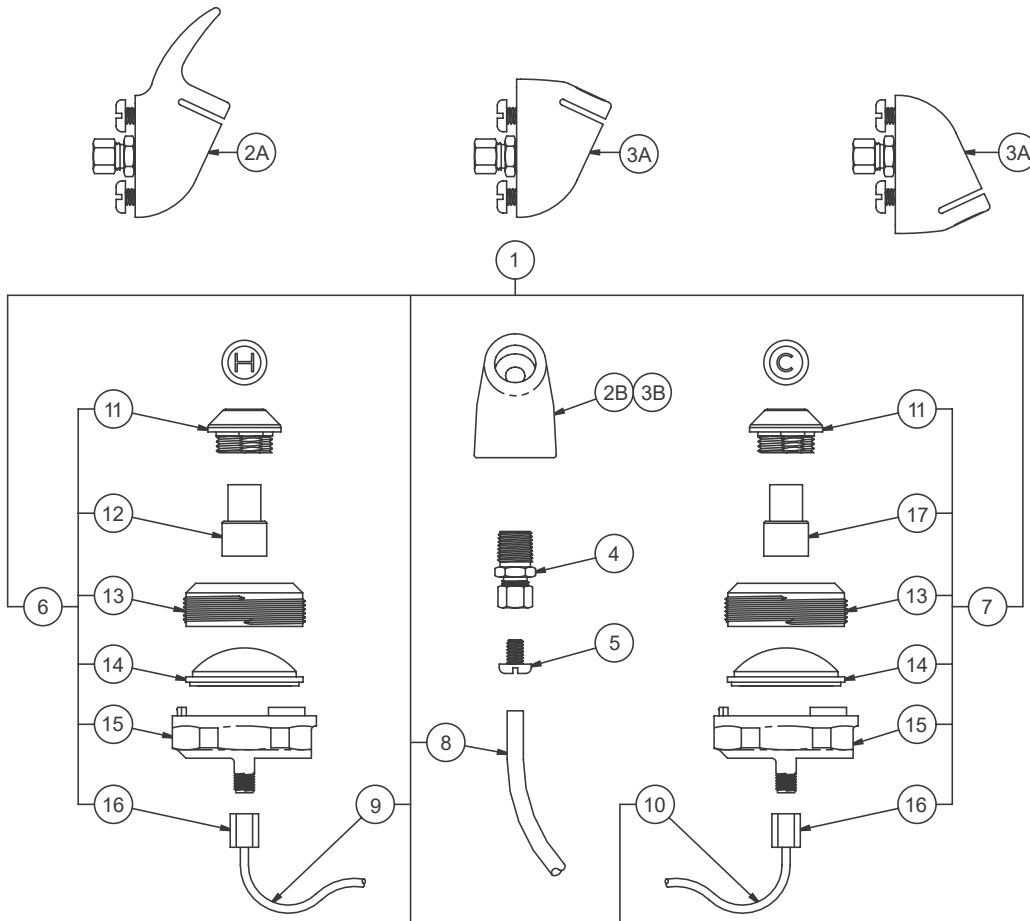


1A	4025-010-001	BUBBLER w/ MOUTHGUARD HARDWARE PKG
1B	4025-011-001	PENAL FILLER/BUBBLER HARDWARE
2A	4025-000-199	BUBBLER w/ MOUTHGUARD
2B	4025-001-199	PENAL FILLER/BUBBLER
3	4016-101-001	S/TEMP AIR-CONTROL FIXTURE TRIM
4	1895-002-000	1/4" TUBE x 1/4" NPT COMPRESSION FITTING
5	0126-004-000	#1/4-20 x 3/8" PAN HEAD SCREW
6	4005-050-001	BLANK ESCUTCHEON ASSEMBLY
7	2160-000-000	1/4" OD x 10 FEET SUPPLY TUBE
8	2150-000-000	1/8" OD x 10 FEET AIR TUBE
9A	2566-050-001	S/T BACK OUTLET PUSHBUTTON ASSEMBLY
9B	2566-025-001	S/T SIDE OUTLET PUSHBUTTON ASSEMBLY
10	4005-050-199	BLANK ESCUTCHEON
11	4015-001-199	RETAINER NUT
12	2566-020-199	ESCUTCHEON
13	2566-025-000	BLANK PUSHBUTTON
14	2566-022-000	ESCUTCHEON RETAINER
15	2566-001-000	DIAPHRAGM
16A	2566-056-199	DIAPHRAGM RETAINER, BACK OUTLET
16B	2566-055-199	DIAPHRAGM RETAINER, SIDE OUTLET
17	1895-450-000	1/8" FERRULE NUT
ITEM	PART NUMBER	DESCRIPTION



H & C PENAL AIR-CONTROL FIXTURE TRIM

9957-050-001

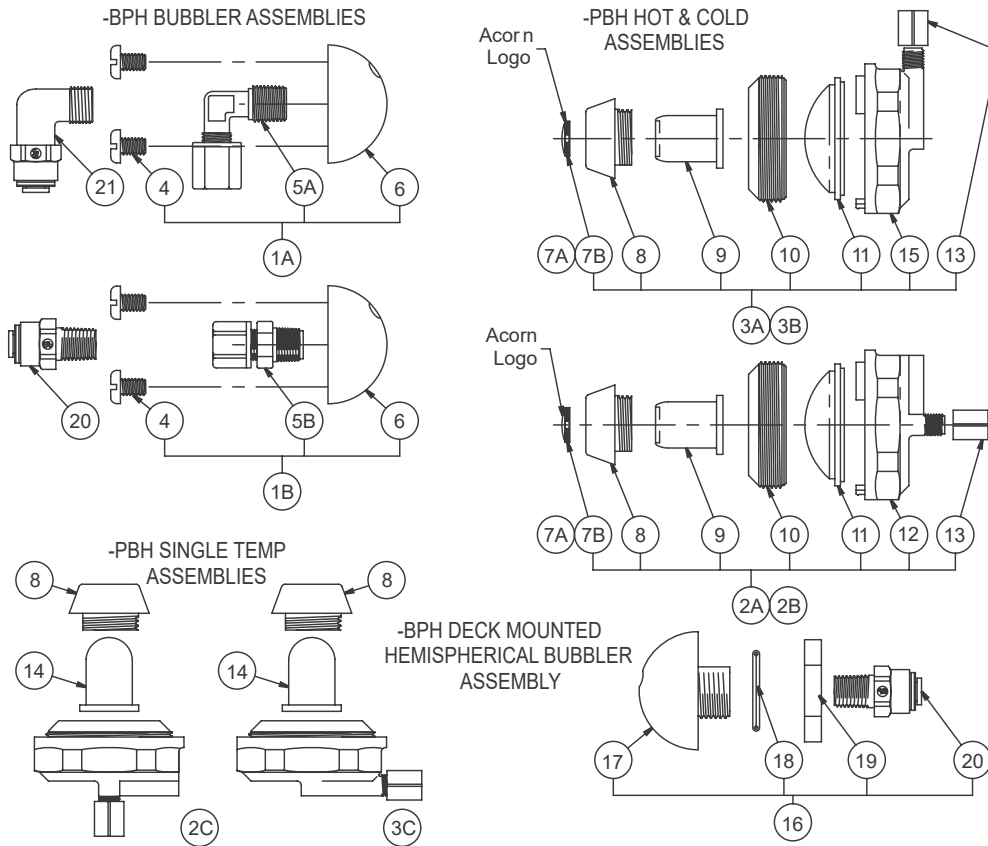


1	4016-100-001	H&C PENAL PUSHBUTTON ASSEMBLY
2A	4025-010-001	CODE BUBBLER w/ HARDWARE
2B	4025-000-199	CODE BUBBLER LESS HARDWARE
3A	4025-011-001	FILLER/BUBBLER w/ HARDWARE
3B	4025-001-199	FILLER/BUBBLER LESS HARDWARE
4	1895-002-000	1/4" TUBE x 1/4" NPT COMPRESSION FITTING
5	0126-504-000	#1/4-20 x 3/8" PAN HEAD SLOTTED SCREW
6	2566-051-001	PUSHBUTTON ASSEMBLY -HOT
7	2566-052-001	PUSHBUTTON ASSEMBLY -COLD
8	2160-010-199	1/4" O.D. x 10 FEET PE TUBING -CLEAR
9	2153-010-199	1/8" OD x 10 FEET PE TUBING -RED
10	2155-010-199	1/8" OD x 10 FEET PE TUBING -BLUE
11	2566-020-199	ESCUTCHEON
12	2566-026-000	PUSHBUTTON -HOT
13	2566-022-000	ESCUTCHEON RETAINER
14	2566-001-000	DIAPHRAGM
15	2566-056-199	DIAPHRAGM RETAINER
16	1895-450-000	1/8" COMPRESSION NUT
17	2566-027-000	PUSHBUTTON -COLD
ITEM	PART NUMBER	DESCRIPTION



SUICIDE RESISTANT FIXTURE TRIM

9957-060-001



1A	4025-050-001	HEMI-BUBBLER, ROUND w/ ELBOW ASSY
1B	4025-051-001	HEMI-BUBBLER ROUND, w/ STRAIGHT ASSY
2A	2566-191-001	HEMI-PUSHBUTTON, "HOT" BCK OUT ASSY
2B	2566-192-001	HEMI-PUSHBUTTON, "COLD" BCK OUT ASSY
2C	2566-150-001	HEMI-PUSHBUTTON, S/TEMP BCK OUT ASSY
3A	2566-201-001	HEMI-PUSHBUTTON, "HOT" SIDE OUT ASSY
3B	2566-202-001	HEMI-PUSHBUTTON, "COLD" SIDE OUT ASSY
3C	2566-160-001	HEMI-PUSHBUTTON, S/TEMP SIDE OUT ASSY
4	0126-504-000	#1/4-20 x 3/8" PAN HEAD SCREW
5A	1895-152-000	1/4" TUBE x 1/4" NPT NYLON ELBOW
5B	1895-002-000	1/4" TUBE x 1/4" NPT NYLON STRAIGHT
6	4025-050-199	HEMISPHERICAL BUBBLER
7A	2292-113-000	"HOT" RED ACORN LOGO BUTTON
7B	2292-114-000	"COLD" BLUE ACORN LOGO BUTTON
8	4005-030-199	ESCUTCHEON FOR HEMISPHERICAL P/B
9	4005-035-199	PUSHBUTTON FOR LOGO BUTTON
10	2566-022-000	ESCUTCHEON RETAINER
11	2566-001-000	DIAPHRAGM
12	2566-056-199	DIAPHRAGM RETAINER BACK OUTLET
13	1895-450-000	1/8" FERRULE NUT
14	4005-031-199	SINGLE TEMP PUSHBUTTON
15	2566-055-199	DIAPHRAGM RETAINER SIDE OUTLET
16	4854-007-001	-BPH HEMISPHERICAL DECK BUBBLER ASSY
17	4025-070-199	DECK MOUNTED HEMISPHERICAL BUBBLER
18	0401-120-000	O-RING
19	0308-020-000	1/2" NPSMI BRASS NUT
20	1895-125-000	1/4" NPT x 1/4" OD PUSH-IN
21	1895-705-000	1/4" NPT x 1/4" OD PUSH-IN ELBOW
ITEM	PART NUMBER	DESCRIPTION