



a Geberit company

2100 South Clearwater Drive
Des Plaines, IL 60018
Phone: 847-803-5000
Fax: 847-803-5454
www.chicagofaucets.com

REPAIR PARTS

BY: SID DATE: 10-30-19
CHK: *JS* REV:

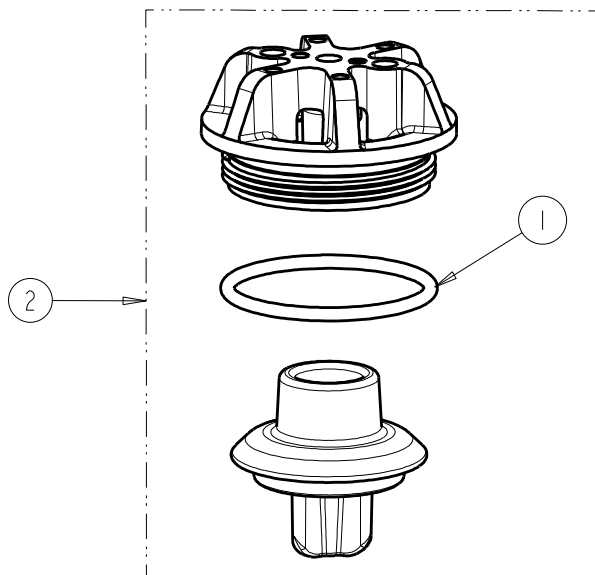
FITTING NO.

892-302KJKABNF

SUBMITTED MODEL NO.

ITEM NO.

FOR TECHNICAL ASSISTANCE
1-800-TEC-TRUE (1-800-832-8783)



ITEM	PART NO.	DESCRIPTION
1	80-007JKABNF	O RING 0.989 X .070
2	892-302KJKABNF	VACUUM BREAKER REPAIR KIT